

US012178494B2

(12) **United States Patent**
Cucin

(10) **Patent No.:** **US 12,178,494 B2**
(45) **Date of Patent:** **Dec. 31, 2024**

(54) **LAPAROSCOPIC-BASED METHOD OF SAFELY REMOVING VISCERAL FAT TISSUE DEPOSITS FROM WITHIN THE MESENTERIC REGION OF A HUMAN PATIENT SUFFERING FROM METABOLIC SYNDROME**

(56) **References Cited**

U.S. PATENT DOCUMENTS

792,327 A 6/1905 Goodnow
2,768,162 A 10/1956 Evans

(Continued)

FOREIGN PATENT DOCUMENTS

EP 0125070 A2 11/1984
FR 2627087 A1 8/1989

(Continued)

OTHER PUBLICATIONS

Adipokines: the missing link between insulin resistance and obesity by Antuna-Puente B., Feve B., Fellahi S., Bastard J.P.; Inserm U680, faculte de medecine Saint-Antoine, university Pierre-et Marie Curie, Paris 6, 75012, Paris, France: Diabetes Metab. Feb. 2008; 34(1): 2-11. 10 page, cited by applicant.

(Continued)

Primary Examiner — Guy K Townsend

(74) *Attorney, Agent, or Firm* — THOMAS J. PERKOWSKI, ESQ., PC

(71) Applicant: **Rocin Laboratories, Inc.**, West Palm Beach, FL (US)

(72) Inventor: **Robert L. Cucin**, West Palm Beach, FL (US)

(73) Assignee: **ROCIN LABORATORIES, INC.**, West Palm Beach, FL (US)

(*) Notice: Subject to any disclaimer, the term of this patent is extended or adjusted under 35 U.S.C. 154(b) by 502 days.

(21) Appl. No.: **17/542,435**

(22) Filed: **Dec. 5, 2021**

(65) **Prior Publication Data**

US 2022/0192728 A1 Jun. 23, 2022

Related U.S. Application Data

(63) Continuation of application No. 15/700,090, filed on Sep. 9, 2017, now Pat. No. 11,259,862, and a (Continued)

(51) **Int. Cl.**

A61B 18/14 (2006.01)

A61M 1/00 (2006.01)

A61B 18/00 (2006.01)

(52) **U.S. Cl.**

CPC **A61B 18/1402** (2013.01); **A61M 1/89** (2021.05); **A61B 2018/00464** (2013.01); (Continued)

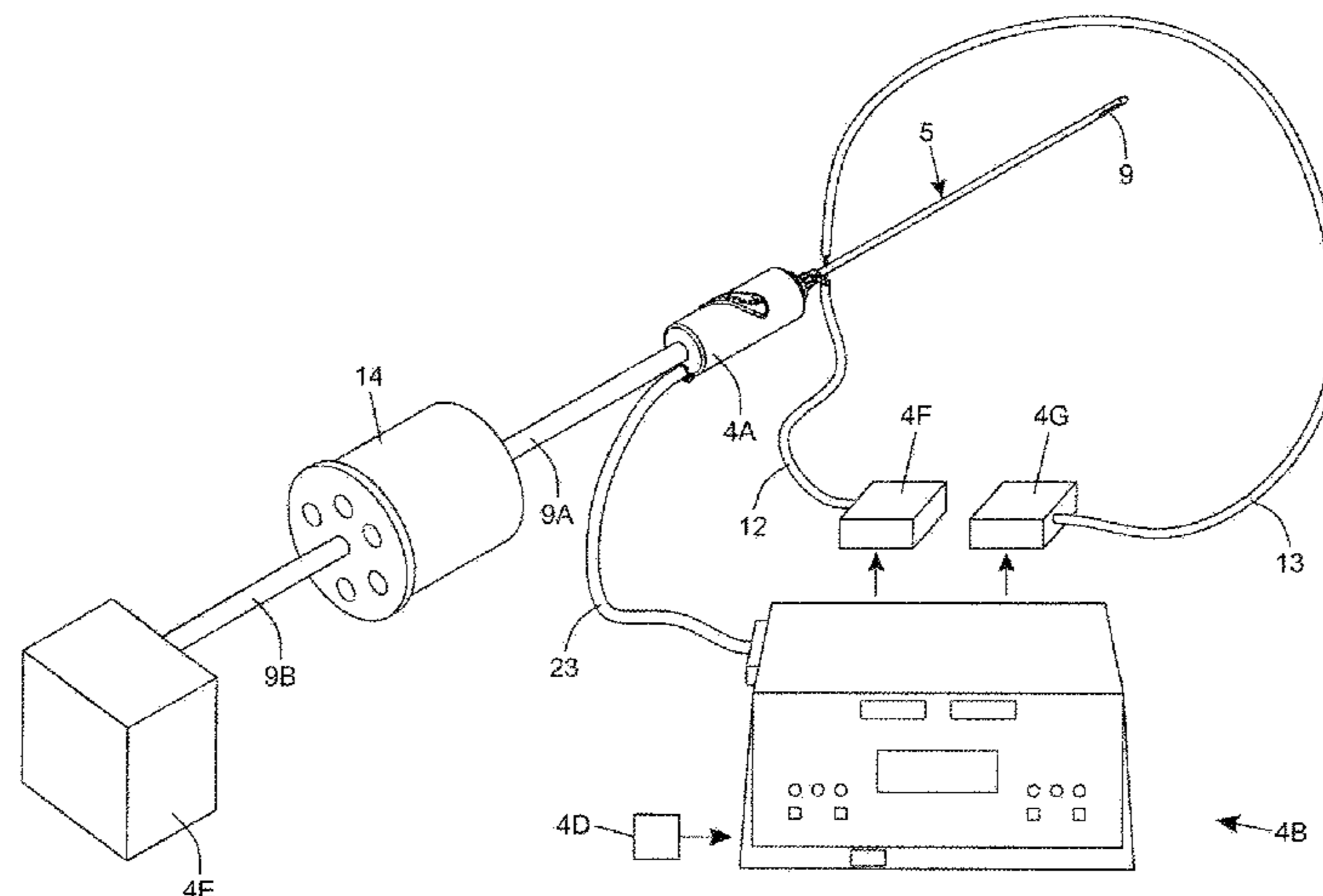
(58) **Field of Classification Search**

CPC .. **A61B 18/1402**; **A61B 18/1477**; **A61M 1/89**; **A61M 1/77**

See application file for complete search history.

(57) **ABSTRACT**

A laparoscopic-based method of safely removing visceral fat tissue deposits from within a human patient suffering from metabolic syndrome. Laparoscopy portals are formed through small incisions in a human patient's body, and an inert gas is infused into the abdominal region of the human patient to cause abdominal distension. A laparoscope is inserted into the abdominal region of the human patient so that a surgeon can capture video images of the abdominal region of the patient, and display the captured video images within the view of the surgeon. A powered fat tissue aspiration instrument is inserted into the mesenteric region of the human patient, wherein the powered fat tissue aspiration instrument has an instrument housing and a cannula assembly mounted with respect to the instrument housing. The laparoscope is used to capture video images of the mesenteric region of the human patient, and display the video (Continued)



images to provide laparoscopic guidance to the surgeon while safely aspirating visceral fat tissue from the mesenteric region of the human patient to ameliorate the metabolic syndrome of the human patient on an ambulatory basis.

18 Claims, 62 Drawing Sheets

Related U.S. Application Data

continuation of application No. 13/315,230, filed on Dec. 8, 2011, now Pat. No. 9,833,279, which is a continuation-in-part of application No. 12/850,786, filed on Aug. 5, 2010, now Pat. No. 8,465,471, which is a continuation-in-part of application No. 12/813,067, filed on Jun. 10, 2010, now abandoned, and a continuation-in-part of application No. 12/462,596, filed on Aug. 5, 2009, now Pat. No. 8,348,929, application No. 17/542,435.

(52) **U.S. Cl.**

CPC *A61B 2018/00595* (2013.01); *A61B 2018/1425* (2013.01); *A61B 18/1477* (2013.01); *A61B 18/148* (2013.01); *A61B 2218/002* (2013.01); *A61B 2218/007* (2013.01); *A61M 1/77* (2021.05)

(56)

References Cited

U.S. PATENT DOCUMENTS

2,768,754 A	10/1956	Briggs	4,549,554 A	10/1985	Markham
2,895,162 A	7/1959	Harris	4,562,838 A	1/1986	Walker
2,895,182 A	7/1959	Harris	4,568,332 A	2/1986	Shippert
3,082,805 A	3/1963	Royce	4,577,629 A	3/1986	Martinez
3,401,684 A	9/1968	Dremann	4,617,013 A	10/1986	Betz
3,561,429 A	2/1971	Jewett	4,644,951 A	2/1987	Bays
3,699,968 A	10/1972	Boldouc	4,651,753 A	3/1987	Lifton
3,732,858 A	5/1973	Banko	4,657,016 A	4/1987	Garito
3,734,099 A	5/1973	Bender	4,664,951 A	5/1987	Doehler
3,815,604 A	6/1974	O'Malley et al.	4,674,502 A	6/1987	Imonti
3,833,000 A	9/1974	Bridgman	4,696,298 A	9/1987	Higgins
3,889,657 A	6/1975	Baumgarten	4,708,147 A	11/1987	Haaga
3,890,712 A	6/1975	Lopez	4,710,162 A	12/1987	Johnson
3,937,222 A	2/1976	Banko	4,714,595 A	12/1987	Anthony
3,937,322 A	2/1976	Cohen	4,735,605 A	4/1988	Swartz
3,938,505 A	2/1976	Jamshidi	4,744,789 A	5/1988	Johnson
3,945,375 A	3/1976	Banko	4,754,754 A	7/1988	Garito
3,955,579 A	5/1976	Bridgman	4,764,165 A	8/1988	Reimels
3,994,297 A	11/1976	Kopf	4,775,365 A	10/1988	Swartz
4,007,742 A	2/1977	Banko	4,792,327 A	12/1988	Swartz
4,007,743 A	2/1977	Blake	4,815,462 A	3/1989	Clark
4,019,514 A	4/1977	Banko	4,817,631 A	4/1989	Schnepf-Pesch
4,030,162 A	6/1977	Hubbard	4,834,703 A	5/1989	Dubrul
4,033,706 A	7/1977	Schaefer	4,850,354 A	7/1989	Mcgurk-Burleson
4,083,706 A	4/1978	Wiley	4,850,373 A	7/1989	Zatloukal
4,117,843 A	10/1978	Banko	4,851,753 A	7/1989	Hamilton
4,167,943 A	9/1979	Banko	4,886,491 A	12/1989	Parisi
4,167,944 A	9/1979	Banko	4,886,492 A	12/1989	Brooke
4,177,814 A	12/1979	Knepshield	4,888,492 A	12/1989	Brooke
4,203,444 A	5/1980	Bonnell	4,893,535 A	1/1990	Groot
4,210,146 A	7/1980	Banko	4,893,635 A	1/1990	De
4,274,414 A	6/1981	Johnson	4,909,249 A	3/1990	Akkas
4,311,140 A	1/1982	Bridgman	4,919,129 A	4/1990	Weber
4,314,560 A	2/1982	Helfgott	4,919,146 A	4/1990	Rhinehart
4,316,465 A	2/1982	Dotson	4,926,877 A	5/1990	Bookwalter
4,350,373 A	9/1982	Fleischer	4,932,935 A	6/1990	Swartz
4,368,734 A	1/1983	Banko	RE33,258 E	7/1990	Onik
4,463,759 A	8/1984	Garito	4,938,743 A	7/1990	Lee
4,513,745 A	4/1985	Amoils	4,940,468 A	7/1990	Petillo
4,517,977 A	5/1985	Frost	4,985,027 A	1/1991	Dressel
4,530,356 A	7/1985	Helfgott	4,986,827 A	1/1991	Akkas
4,536,180 A	8/1985	Johnson	4,989,614 A	2/1991	Dejter
			5,013,300 A	5/1991	Williams
			5,024,652 A	6/1991	Dumenek
			5,027,827 A	7/1991	Cody
			5,052,999 A	10/1991	Klein
			5,095,901 A	3/1992	Davitashvili
			5,102,410 A	4/1992	Dressel
			5,106,364 A	4/1992	Hayafuji
			5,112,302 A	5/1992	Cucin
			5,134,996 A	8/1992	Bell
			5,154,664 A	10/1992	Hazenbroek
			5,171,660 A	12/1992	Carpenter
			5,176,677 A	1/1993	Wuchinich
			5,183,052 A	2/1993	Terwilliger
			5,186,714 A	2/1993	Boudreault
			5,213,110 A	5/1993	Kedem
			5,226,429 A	7/1993	Kuzmak
			5,236,414 A	8/1993	Takasu
			5,243,994 A	9/1993	Ranalletta
			5,254,117 A	10/1993	Rigby
			5,275,607 A	1/1994	Lo
			5,275,609 A	1/1994	Pingleton
			5,284,156 A	2/1994	Schramm
			5,285,795 A	2/1994	Ryan
			5,290,282 A	3/1994	Casscells
			5,295,955 A	3/1994	Rosen
			5,295,980 A	3/1994	Ersek
			5,300,069 A	4/1994	Hunsberger
			5,304,207 A	4/1994	Stromer
			5,329,943 A	7/1994	Johnson
			5,348,022 A	9/1994	Leigh
			5,348,535 A	9/1994	Cucin
			5,352,194 A	10/1994	Greco
			5,356,638 A	10/1994	Gershenson
			5,358,638 A	10/1994	Gershenson
			5,364,395 A	11/1994	West
			5,372,945 A	12/1994	Alchas
			5,380,277 A	1/1995	Phillips

(56)

References Cited

U.S. PATENT DOCUMENTS

5,386,388 A	1/1995	Atwood et al.	6,086,544 A	7/2000	Hibner
5,401,273 A	3/1995	Shippert	6,096,042 A	8/2000	Herbert
5,403,276 A	4/1995	Schechter	6,102,885 A	8/2000	Bass
5,411,513 A	5/1995	Ireland	6,109,446 A	8/2000	Foote
5,429,596 A	7/1995	Arias	6,113,569 A	9/2000	Becker
5,433,844 A	7/1995	Christy	6,120,462 A	9/2000	Hibner
5,456,267 A	10/1995	Stark	6,120,463 A	9/2000	Bauer
5,458,112 A	10/1995	Weaver	6,121,042 A	9/2000	Peterson
5,464,300 A	11/1995	Crainich	6,139,518 A	10/2000	Mozsary
5,472,416 A	12/1995	Blugerman	6,142,955 A	11/2000	Farascioni
5,490,453 A	2/1996	Mackay	6,149,610 A	11/2000	Urko
5,505,210 A	4/1996	Clement	6,152,142 A	11/2000	Tseng
5,514,084 A	5/1996	Fisher	6,162,187 A	12/2000	Buzzard
5,514,086 A	5/1996	Parisi	6,182,187 B1	1/2001	Cox et al.
5,520,685 A	5/1996	Wojciechowicz	6,190,364 B1	2/2001	Imbert
5,562,503 A	10/1996	Ellman	6,203,518 B1	3/2001	Anis
5,643,198 A	7/1997	Cucin	6,204,375 B1	3/2001	Lader
5,643,304 A	7/1997	Schechter	6,208,903 B1	3/2001	Richards
5,649,547 A	7/1997	Ritchart	6,210,409 B1	4/2001	Ellman
5,655,544 A	8/1997	Johnson	6,213,971 B1	4/2001	Poole
5,665,100 A	9/1997	Yoon	6,231,571 B1	5/2001	Ellman
5,669,876 A	9/1997	Schechter	6,238,388 B1	5/2001	Ellman
5,669,923 A	9/1997	Gordon	6,238,394 B1	5/2001	Garito
5,689,923 A	9/1997	Gordon	6,261,302 B1	7/2001	Voegele
5,685,838 A	11/1997	Peters	6,270,471 B1	8/2001	Hechel
5,685,840 A	11/1997	Schechter	6,273,862 B1	8/2001	Privitera
5,697,383 A	12/1997	Manders	6,273,882 B1	8/2001	Privitera
5,720,762 A	2/1998	Bass	6,290,690 B1	9/2001	Huculak
5,730,717 A	3/1998	Gelbfish	6,293,944 B1	9/2001	Ellman
5,743,886 A	4/1998	Lynn	6,293,957 B1	9/2001	Peters
5,746,762 A	5/1998	Bass	6,302,863 B1	10/2001	Tankovich
5,769,086 A	6/1998	Ritchart	6,315,756 B1	11/2001	Tankovich
5,769,879 A	6/1998	Richards	6,316,247 B1	11/2001	Katz
5,775,333 A	7/1998	Burbank	6,331,165 B1	12/2001	Turturro
5,776,092 A	7/1998	Farin	6,346,078 B1	2/2002	Ellman
5,779,649 A	7/1998	Herbert	6,346,107 B1	2/2002	Cucin
5,782,849 A	7/1998	Miller	6,352,533 B1	3/2002	Ellman
5,788,651 A	8/1998	Weilandt	6,371,911 B1	4/2002	Hossain
5,792,603 A	8/1998	Dunkelman	6,379,372 B1	4/2002	Dehdashtian
5,795,323 A	8/1998	Cucin	634,973 A1	5/2002	Cucin
5,797,907 A	8/1998	Clement	6,387,093 B1	5/2002	Ellman
5,807,275 A	9/1998	Jamshidi	6,394,973 B1	5/2002	Cucin
5,807,353 A	9/1998	Schmitz	6,395,002 B1	5/2002	Ellman
5,810,806 A	9/1998	Ritchart	6,402,701 B1	6/2002	Kaplan
5,810,809 A	9/1998	Rydell	6,425,883 B1	7/2002	Urich
5,843,111 A	12/1998	Vijfvinkel	6,428,487 B1	8/2002	Burdorff
5,848,978 A	12/1998	Cecchi	6,432,105 B1	8/2002	Ellman
5,865,803 A	2/1999	Major	6,447,510 B1	9/2002	Ellman
5,893,862 A	4/1999	Pratt	6,450,941 B1	9/2002	Larsen
5,911,699 A	6/1999	Anis	6,461,350 B1	10/2002	Underwood
5,911,700 A	6/1999	Mozsary	6,468,225 B1	10/2002	Lundgren
5,911,701 A	6/1999	Miller	6,468,227 B2	10/2002	Zimmon
5,913,857 A	6/1999	Ritchart	6,471,069 B2	10/2002	Lin
5,916,229 A	6/1999	Evans	6,471,700 B1	10/2002	Burbank
5,928,164 A	7/1999	Burbank	6,471,716 B1	10/2002	Pecukonis
5,928,218 A	7/1999	Gelbfish	6,478,681 B1	11/2002	Overaker
5,944,673 A	8/1999	Gregoire	6,482,200 B2	11/2002	Shippert
5,944,748 A	8/1999	Mager	6,485,436 B1	11/2002	Truckai
5,954,686 A	9/1999	Garito	6,494,876 B1	12/2002	Fowler
5,964,716 A	10/1999	Gregoire	6,503,240 B1	1/2003	Niedospial, Jr.
5,971,939 A	10/1999	Desantis	6,514,215 B1	2/2003	Ouchi
5,980,469 A	11/1999	Burbank	6,520,935 B1	2/2003	Jansen
5,980,545 A	11/1999	Pacala	6,620,935 B1	2/2003	Jansen
5,980,546 A	11/1999	Hood	6,544,211 B1	4/2003	Andrew
5,997,560 A	12/1999	Miller	6,544,246 B1	4/2003	Niedospial, Jr.
6,017,316 A	1/2000	Ritchart	6,554,803 B1	4/2003	Ashman
6,019,733 A	2/2000	Farascioni	6,592,508 B1	7/2003	Ravins
6,022,324 A	2/2000	Skinner	6,605,080 B1	8/2003	Altshuler
6,033,375 A	3/2000	Brumbach	6,626,890 B2 *	9/2003	Nguyen A61B 17/320016 604/902
6,050,955 A	4/2000	Bryan	6,632,182 B1	10/2003	Treat
6,063,108 A	5/2000	Salansky	6,638,235 B2	10/2003	Miller
6,076,544 A	6/2000	Pierce	6,638,238 B1	10/2003	Weber
6,077,230 A	6/2000	Gregoire	6,652,522 B2	11/2003	Cucin
6,080,113 A	6/2000	Heneveld	6,655,544 B1	12/2003	Tanaka et al.
6,085,749 A	7/2000	Wardle	6,663,659 B2	12/2003	McDaniel
			6,676,629 B2	1/2004	Andrew
			6,697,670 B2	2/2004	Chomenky
			6,714,803 B1	3/2004	Mortz

(56)

References Cited

U.S. PATENT DOCUMENTS

			7,951,590 B2	5/2011	Gen	
			7,988,633 B2 *	8/2011	Hossack	A61B 8/4472 600/443
			7,990,272 B2	8/2011	Wass	
			8,022,324 B2	9/2011	Liu	
			8,062,286 B2	11/2011	Shippert	
			8,099,297 B2	1/2012	Brevnova	
			8,105,580 B2 *	1/2012	Fraser	A61P 13/12 606/1
			8,113,424 B2	2/2012	Philippe	
			8,119,121 B2 *	2/2012	Fraser	C12N 5/0667 606/1
			8,133,339 B2	3/2012	Dorian	
			8,133,389 B2	3/2012	Dorian	
			8,152,821 B2 *	4/2012	Gambale	A61B 17/0469 606/139
			8,182,450 B2	5/2012	Moosheimer	
			8,268,612 B2	9/2012	Owen	
			8,288,612 B2	9/2012	Owen	
			8,348,929 B2 *	1/2013	Cucin	A61B 18/1402 604/542
			8,465,471 B2 *	6/2013	Cucin	A61M 1/89 600/109
			8,503,240 B2	8/2013	Conley et al.	
			8,574,223 B2 *	11/2013	Cucin	A61B 18/1402 604/542
			2001/0014785 A1	8/2001	Sussman	
			2001/0031976 A1	10/2001	Lobdell	
			2002/0045840 A1	4/2002	Voegele	
			2002/0077565 A1	6/2002	Burdorff	
			2002/0082519 A1	6/2002	Miller	
			2002/0103486 A1	8/2002	Cucin	
			2002/0120212 A1	8/2002	Ritchart	
			2002/0128632 A1	9/2002	Cucin	
			2002/0138047 A1	9/2002	Lopez	
			2002/0151874 A1	10/2002	Kolster	
			2002/0156365 A1	10/2002	Tsekos	
			2002/0156385 A1	10/2002	Tsekos	
			2002/0173814 A1	11/2002	Jung	
			2003/0018281 A1	1/2003	Huitema	
			2003/0069543 A1	4/2003	Carpenter	
			2003/0073929 A1	4/2003	Baltschun	
			2003/0078609 A1	4/2003	Finlay	
			2003/0087423 A1	5/2003	Haywood	
			2003/0088235 A1	5/2003	Tazi	
			2003/0105454 A1	6/2003	Cucin	
			2003/0125639 A1	7/2003	Fisher	
			2003/0144606 A1	7/2003	Kadziauskas	
			2003/0187383 A1	10/2003	Weber	
			2004/0049128 A1	3/2004	Miller	
			2004/0073195 A1 *	4/2004	Cucin	A61M 1/84 604/542
			2004/0167516 A1	8/2004	Cucin	
			2004/0222137 A1	11/2004	Hashimoto	
			2004/0267562 A1	12/2004	Fuhrer	
			2005/0004632 A1	1/2005	Benedict	
			2005/0049521 A1	3/2005	Miller	
			2005/0054995 A1	3/2005	Barzell	
			2005/0075703 A1	4/2005	Arsen	
			2005/0113715 A1	5/2005	Schwindt	
			2005/0165345 A1 *	7/2005	Laufer	A61B 17/320016 604/26
			2005/0175665 A1	8/2005	Hunter	
			2005/0175703 A1 *	8/2005	Hunter	A61L 31/16 514/453
			2005/0178395 A1	8/2005	Hunter	
			2005/0178396 A1	8/2005	Hunter	
			2005/0182463 A1	8/2005	Hunter	
			2005/0183731 A1	8/2005	Hunter	
			2005/0186244 A1	8/2005	Hunter	
			2005/0187140 A1	8/2005	Hunter	
			2005/0196421 A1	9/2005	Hunter	
			2005/0197648 A1	9/2005	Cucin	
			2005/0208095 A1	9/2005	Hunter	
			2005/0233298 A1	10/2005	Farsedakis	
			2005/0256445 A1	11/2005	Cucin	
			2005/0266494 A1	12/2005	Hodge	
			2005/0267446 A1	12/2005	Cucin	
6,743,245 B2	6/2004	Lobdell				
6,752,768 B2	6/2004	Burdorff				
6,758,824 B1	7/2004	Miller				
6,761,701 B2	7/2004	Cucin				
6,786,405 B2	9/2004	Wiedenhoefer				
6,795,728 B2	9/2004	Chornenky				
6,817,996 B2	11/2004	Fard				
6,835,202 B2	12/2004	Harth				
6,838,238 B1	1/2005	Short				
6,872,199 B2	3/2005	Cucin				
6,875,207 B2	4/2005	Weber				
6,892,099 B2	5/2005	Jaafar				
6,899,723 B2	5/2005	Chen				
6,902,559 B2	6/2005	Taufig				
6,916,328 B2	7/2005	Brett				
6,951,611 B2	10/2005	Dannenmaier				
6,992,233 B2	1/2006	Drake				
7,018,395 B2	3/2006	Chen				
7,037,344 B2	5/2006	Kagan				
7,041,217 B1	5/2006	Close				
7,048,683 B2	5/2006	Borst				
7,060,061 B2	6/2006	Altshuler				
7,060,079 B2	6/2006	Wulc				
7,081,128 B2	7/2006	Hart				
7,112,200 B2	9/2006	Cucin				
7,166,576 B2	1/2007	Cicardi				
7,175,081 B2	2/2007	Andreasson				
7,181,271 B2	2/2007	Berg				
7,226,424 B2	6/2007	Ritchart				
7,241,616 B2	7/2007	Ohno				
7,258,674 B2	8/2007	Cribbs				
7,295,872 B2	11/2007	Kelly				
7,306,740 B2	12/2007	Freund				
7,311,722 B2	12/2007	Larsen				
7,381,206 B2 *	6/2008	Cucin	A61B 18/148 604/542			
7,384,417 B2	6/2008	Cucin				
7,390,484 B2 *	6/2008	Fraser	C12N 5/069 606/1			
7,445,831 B2	11/2008	Ashraf et al.				
7,473,420 B2 *	1/2009	Fraser	C12N 5/0667 606/1			
7,488,427 B2	2/2009	Freund				
7,501,115 B2 *	3/2009	Fraser	A61M 1/76 606/1			
7,514,075 B2 *	4/2009	Hedrick	A61K 35/28 606/1			
7,595,043 B2 *	9/2009	Hedrick	A61F 2/4455 606/1			
7,639,136 B1	12/2009	Wass				
7,651,664 B2	1/2010	Hedrick				
7,651,684 B2 *	1/2010	Hedrick	A61L 27/3834 606/1			
7,678,070 B2	3/2010	Kumar				
7,687,059 B2 *	3/2010	Fraser	A61P 11/00 606/1			
7,712,674 B1	5/2010	Warner				
7,718,617 B2	5/2010	Cicardi				
7,740,605 B2	6/2010	Cucin				
7,767,208 B2	8/2010	Chen				
7,771,716 B2 *	8/2010	Hedrick	A61L 27/54 606/1			
7,775,973 B2 *	8/2010	Okada	A61B 1/00128 606/115			
7,779,845 B2	8/2010	Ortiz				
7,780,649 B2	8/2010	Shippert				
7,780,684 B2	8/2010	Wulc				
7,789,872 B2	9/2010	Shippert				
7,794,449 B2	9/2010	Shippert				
7,824,848 B2	11/2010	Owen				
7,883,476 B2	2/2011	Miller				
7,887,795 B2	2/2011	Fraser				
7,896,890 B2	3/2011	Ortiz				
7,901,672 B2	3/2011	Fraser				

(56)

References Cited

U.S. PATENT DOCUMENTS

2006/0093527	A1	5/2006	Buss	
2006/0155210	A1	7/2006	Beckman	
2006/0247514	A1	11/2006	Panasyuk	
2007/0005082	A1	1/2007	Kraemer	
2007/0055292	A1	3/2007	Ortiz	
2007/0123850	A1	5/2007	Cucin	
2007/0129735	A1	6/2007	Filipi	
2007/0167963	A1	7/2007	Deem	
2007/0175486	A1	8/2007	Cox	
2007/0175488	A1	8/2007	Cox	
2007/0225686	A1	9/2007	Shippert	
2007/0239176	A1	10/2007	Stokes	
2008/0027353	A1	1/2008	Kliman	
2008/0033758	A1	2/2008	Keeley	
2008/0154240	A1	6/2008	Shippert	
2008/0154292	A1	6/2008	Huculak	
2009/0076486	A1*	3/2009	Cucin	A61M 1/84 604/35
2009/0093790	A1	4/2009	Massengale	
2009/0124975	A1	5/2009	Oliver	
2009/0157002	A1	6/2009	Dumot	
2009/0192498	A1*	7/2009	Andrew	A61M 1/89 604/542
2009/0192505	A1*	7/2009	Askew	A61M 16/0463 424/9.4
2009/0192854	A1	7/2009	Pietrucha	
2009/0228030	A1	9/2009	Shadeck	
2009/0270896	A1	10/2009	Sullivan	
2009/0270897	A1	10/2009	Adams	
2009/0270898	A1	10/2009	Chin	
2010/0121420	A1	5/2010	Fiset	
2010/0210745	A1*	8/2010	McDaniel	C09D 7/48 521/55
2010/0331883	A1*	12/2010	Schmitz	A61B 17/320758 606/279
2010/0331928	A1	12/2010	Dunning	
2011/0034905	A1*	2/2011	Cucin	A61M 1/89 604/542
2011/0118542	A1*	5/2011	Cucin	A61M 1/89 600/104
2011/0159562	A1	6/2011	Deisseroth	
2011/0213336	A1	9/2011	Cucin	
2011/0306950	A1	12/2011	Cucin	
2012/0101479	A1	4/2012	Paspaliaris	
2012/0150103	A1	6/2012	Cucin	
2012/0150152	A1	6/2012	Cucin	
2012/0157944	A1	6/2012	Cucin	
2013/0006225	A1*	1/2013	Cucin	A61B 10/0283 604/542
2013/0041265	A1	2/2013	Sostek	

FOREIGN PATENT DOCUMENTS

FR	2648050	A	12/1990
WO	2009092092	A1	7/2009
WO	2011017517	A1	2/2011

OTHER PUBLICATIONS

Adipose expression of tumor necrosis factor-alpha: direct role in obesity-linked insulin resistance (Abstract). Hotamisligil GS, Shargill N.S, Spiegelman BM; Dana-Farber Cancer Institute, Boston MA; Science Jan. 1, 1993; 259 (509) 87-91. 1 page.

Adipose expression of tumor necrosis factor-alpha: direct role in obesity-linked insulin resistance (Abstract). Hotamisligil GS, Shargill N.S, Spiegelman BM; Dana-Farber Cancer Institute, Boston MA; Science, Jan. 1, 1993, 259 (509) 87-91, 1 page, cited by applicant.

Adipose Tissue as an Endocrine Organ. By Erin E. Kershaw and Jeffrey S. Flier; Division of Endocrinology, Dept. of Medicine Beth Israel Deaconess Medical Center, Boston MA 02215; Journal of Clinical Endocrinology & Metabolism 89(6): pp. 2548-2556, Copyright 2004 by the Endocrine Society. 9 pages, cited by applicant.

Amelioration of diet-induced diabetes mellitus by removal of visceral fat by Cid Pitombo, Eliana P. Araujo, Claudio T. De Souza, Jose C. Pareja, Bruno Geloneze and Lisle A. Velloso. Journal of Endocrinology (2006) 191, 699-706, Society for Endocrinology, printed in Great Britain, 8 pages, cited by applicant.

Corrected Notice of Allowability dated Oct. 2, 2021 for U.S. Appl. No. 15/700,090 (pp. 1-4).

Diabetes: insulin resistance and derangements in lipid metabolism. Cure through intervention in fat transport and storage. Raz I., Elder R., Cernea S., Shafir E.; Dept. of Medicine, Diabetes Ctr., Hadasah University Hospital, Jerusalem 91120, Israel, ntv502@netvision.net.il. Diabetes Metab Res Rev. Jan.-Feb. 2005; 21(1) 3-14, 12 pages. cited by applicant.

Effect of a multidisciplinary program of weight reduction on endothelial functions in obese women (Abstract). Nocoletti G., Pontillo A., Cioffi M., D'Andea F., Giugliano D., Esposito K., Chair of Plastic and Reconstructive Surgery, Second University of Naples, Naples Italy. J. Endocrinol Invest Mar. 2003; 26(3): RC5-88.1 page, cited by applicant.

Effect of Liposuction on insulin resistance and vascular inflammatory markers in obese women by G. Giugliano, G. Nicolletti, E. Grelia, F. Giugliano, K. Esposito, N. Scuderi, F. D'Andrea; British Journal of Plastic Surgery, of. vol. 57, Issue 3, pp. 190-194, Apr. 2004. 5 pages.

Effect of potentially modifiable risk factors associated with myocardial infarction in 52 countries (the INERHEART study): case-control study. Salim Yusuf, Steven Hawken, Stephanie Ounpuu, Tony Dans, Alvaro Avezum, Fernando Lanes, Matthew McQueen, Andrzej Budaj, Pram Pais, John Varigos, Liu Lisheng on behalf of the INTERHEART Study Investigators. Lancet 2004; vol. 364: 937-52. Published Online Sep. 3, 2004, [Http://image:thelancet.com/extras/04art8001web.Pdf](http://image.thelancet.com/extras/04art8001web.Pdf). 16 pages, cited by applicant.

Guidelines on Laparoscopy, European Association of Urology, J.D. Doublet, G. Janetshek, A. Joyce, A. Mandressi, J. Rassweiler, D. Tolley, 2002, 38 pages.

Historical perspective: visceral obesity and related comorbidity in Joannes Bapista Morgagni's 'De sedibus et causis morborum per anatomen indagata' by Enzi G. Busetto L., Inelmen EM, Coin A., Sergi G.; Dept. of Medical and Surgical Sciences, Univ. of Padova, Italy. Int J Obes Relat Metab Disord. Apr. 2003; 27(4):534-5. 2 pages.

Human mesenteric adipose tissue plays unique role versus subcutaneous and omental fat in obesity related diabetes (Abstract). Yang YK, Chen M, Clements RH, Abrams GA, Aprahamian CJ, Harmon CM; Dept. of Surgery, Univ. of Alabama at Birmingham, USA. Cell Phys of Biochem, 2008; 22(5-6): 531-8. Epub Dec. 9, 2008. 1 page, cited by applicant.

Improvements in cardiovascular risk profile after large-volume lipoplasty: a 1-year follow-up study by Giese SY, Neborsky R, Bulan EJ, Spear SL, Yanovsk, JA; Aesthet Surg J Nov. 2001 21(6): 527-31, 5 pages, cited by applicant.

Improvements in cardiovascular risk profile after large-volume lipoplasty: a 1-year follow-up study by Giese SY, Neborsky R, Bulan EJ, Spear SL, Yankvski, JA; Aesthet Surg J Nov. 21, 2001(6): 527-31. 5 pages.

International Search Report dated Jul. 2, 2012 issued in International Application No. PCT/US 11/62345 (1 page).

International Search Report in International Application No. PCT/US 11/62346 dated Jul. 2, 2012. cited by applicant. (1 page).

International Search Report, International Application No. PCT/US 10/44543, Jan. 6, 2011. cited by applicant. (2 pages).

Large-Volume Liposuction and Extensive Abdominoplasty: a feasible alternative for improving body shape by Carenas-Camarena, Lazar M.D.; Gonzalez, Luis M.D., Plastic & Reconstructive Surgery: Oct. 1998—vol. 102—Issue 5—pp. 168-1707. 9 pages.

Leptin and the Regulation of Body Weight by Jeffrey M. Friedman, Rockefeller University, New York NY 10065 USA fried@mail.rockefeller.edu; Copyright 2011 by the Keo Journal of Medicine, 9 pages.

Mechanism of the Postreceptor Defect in Insulin Action in Human Obesity: Decrease in Glucose Transport System Activity; Theodore P. Ciaraldi, Orville G. Kolterman, and Jerrold M. Olefsky, Dept. of Medicine, University of Colorado Health Sciences Ctr., Div. of Endocrinology/Metabolism, Denver CO 80262; J. Clin. Invest. The

(56)

References Cited

OTHER PUBLICATIONS

American Soc. of Clinical Investigation, Inc., 0021-9738/81/10/0875/06, vol. 68, Oct. 1981, pp. 875-880. 6 pages.

Mediastinal Fat, Insulin Resistance, and Hypertension by Arya M. Sharma; *Hypertension* 2004, 44: 117-118; originally published online Jul. 12, 2004 doi: 10.1161/01.HYP.0000137993.7045.82; Copyright 2004 American Heart Assn., ISBN: 0194-911X. Online SSSN: 1524-4563. <http://hyper.ahajournals.org/content/44/2/117>. 3 pages.

Modification of insulin, glucose and cholesterol levels in nanobese women undergoing liposuction, is liposuction metabolically safe? Robles-Cervantes JA, Yanez-Diaz S., Cardenas-Camarena L.; *Ann Plast Surg.* Jan. 2004; 52(1): 54—7.4 pages, cited by applicant.

Modification of insulin, glucose and cholesterol levels in nonobese women undergoing liposuction, is liposuction metabolically safe? Robles-Cervantes JA, Yanez-Diaz S., Cardenas-Camarena L.; *Ann Plast Surg.* Jan. 2004; 52(1): 64-7. 4 pages.

Notice of Allowance dated Jul. 13, 2017 for U.S. Appl. No. 13/315,230; (pp. 1-5).

Notice of Allowance dated Jul. 6, 2017 for U.S. Appl. No. 13/315,232; (pp. 1-5).

Notice of Allowance dated Jul. 7, 2017 for U.S. Appl. No. 13/315,224; (pp. 1-5).

Notice of Allowance dated Oct. 1, 2021 for U.S. Appl. No. 15/700,090 (pp. 1-8).

Notice of Allowance dated Oct. 2, 2017 for U.S. Appl. No. 13/314,524; (pp. 1-7).

Notice of Allowance dated Oct. 2, 2017 for U.S. Appl. No. 13/315,238; (pp. 1-7).

Novel Interaction of Adiponectin with the Endocrine System and Inflammatory Parameters by Jose Manuel Fernandez-Real, Abel Lopez-Bermejo, Roser Casamitjana and Wifredo Ricart; Unit of Diabetes, Endocrinology and Nutrition, Dept. of Internal Medicine, University Hospital of Girona 'Dr. Josep Trueta,' 17007 Girona, Spain; *The Journal of Clinical Endocrinology & Metabolism* 88(6): 2714-2718; Copyright 2003 by The Endocrine Society doi: 10.1210/c.2002-021583. 5 pages, cited by applicant.

Obesity and the Risk of Cardiovascular Disease. Mitchell N. Rashid, MD; Francisco Fuetes, MD; Robert C. Tonchon; MD, Paulette S. Wehner MD; Dept. of Internal Medicine, Marshall University School of Medicine, Huntington WV; University of Texas, and the Dept. of Cardiovascular Medicine, Marshall University, Huntington WV. *Preventive Cardiology* Winter 2003. 6 pages.

Obesity in the new millennium (Abstract). Friedman JM. The Rockefeller University, New York NY 10021-6399 USA; *Nature* Apr. 2000. 6, 404 (6778) 632-4. 1 page.

Obesity in the new millennium (Abstract). Friedman JM. The Rockefeller University, New York NY 10221-6399 USA; *Nature* Apr. 6, 2000 404 (6778) 632-4. 1 page.

Office Action (Notice of Allowance and Fees Due (PTOL-85)) dated Dec. 9, 2021 for U.S. Appl. No. 15/700,090 (pp. 1-4).

Office Action dated Jul. 17, 2017 for U.S. Appl. No. 13/315,243; (pp. 1-6).

Omentectomy and Metabolic Syndrome. *ClinicalTrialsFeeds.org*, U.S. National Institute of Health Clinical Trials Search Delivered via RSS. Last Updated: Nov. 24, 2009, Verified by Instituto Nacional de Ciencias Medicas y Nutricion Salvador Zubiran, No. 2009. 10 pages, cited by applicant.

Surgical removal of visceral adipose tissue: effects on insulin action. Gabriely I, Barzaila N.; Institute for Aging Research, Belfer Bldg. #701, Albert Einstein College of Medicine, 1300 Morris Park Avenue, Bronx NY 10461 USA. 6 pages.

The BREAST-Q: Further Validation in Independent Clinical Samples. Stefan J. Cano, Ph.D., Anne F. Klassen, D. Phil., Amie M. Scott, M.P.H., Peter G. Cordeiro, M.D., Andrea L. Pusic, M.D. H.S.S.; Peninsula College of Medicine and Dentistry, McMaster University and Memorial Sloan Kettering Cancer Center; Copyright 2012 by the American Society of Plastic Surgeons. DOI: 10.1097/PRS.Ob013e31823aec6b. 10 pages.

The effects of surgically removing subcutaneous fat on the metabolic profile and insulin sensitivity in obese women after large-volume liposuction treatment (Abstract). Gonzalez-Ortiz M., Robles-Cervantes JA, Cardenas-Camarena L., Bustos-Saldana R., Martinez-Abundis E.; Medial Research Unit in Clinical Epidemiology, West National Medical Center, Mexican Institute of Social Security, Guadalajara, Mexico. uiec@Prodigy.net.mx. *Horn Metab Res.* Aug. 2002; 34(8): 446-9. 1 page.

The role of TNF-alpha in insulin resistance. Borst SE. Dept. of Exercise & Sport Sciences, University of Florida, Malcom Randall VA Medical Center, Gainesville FL 32608-1197, USA seborst@ufl.edu; *Endocrine* Mar.-Apr. 2004; 23 (2-3) 177-82. 6 pages.

Visceral adipose tissue modulates mammalian longevity. Radhikak Muzumdar, David B. Allison, Derek M. Huffman, Xiaohui MA, Gil Atzmon, Francine H. Einstein, Sigal Fishman, Aruna D. Poduval, Theresa McVei, Scott W. Keith, and Mir Barzilli, Inst. For Aging Research, Albert Einstein College of Medicine, Bronx NY, USA, Dept. of Medicine, Albert Einstein College of Medicine, Bronx NY, USA 3. Dept. of Pediatrics, Albert Einstein College of Medicine, Bronx NY, USA. cited by applicant. (5 pages).

* cited by examiner

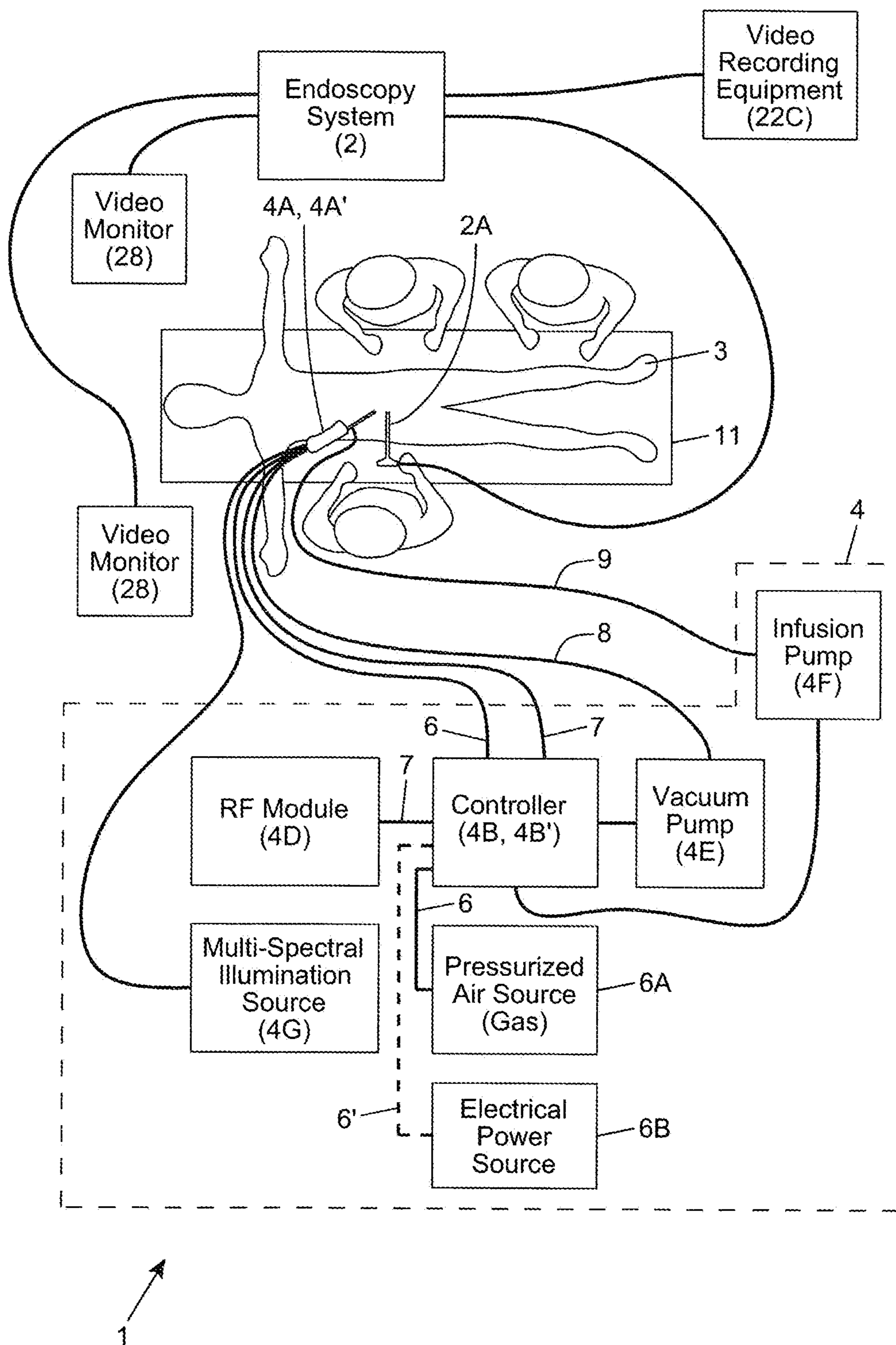


FIG. 1

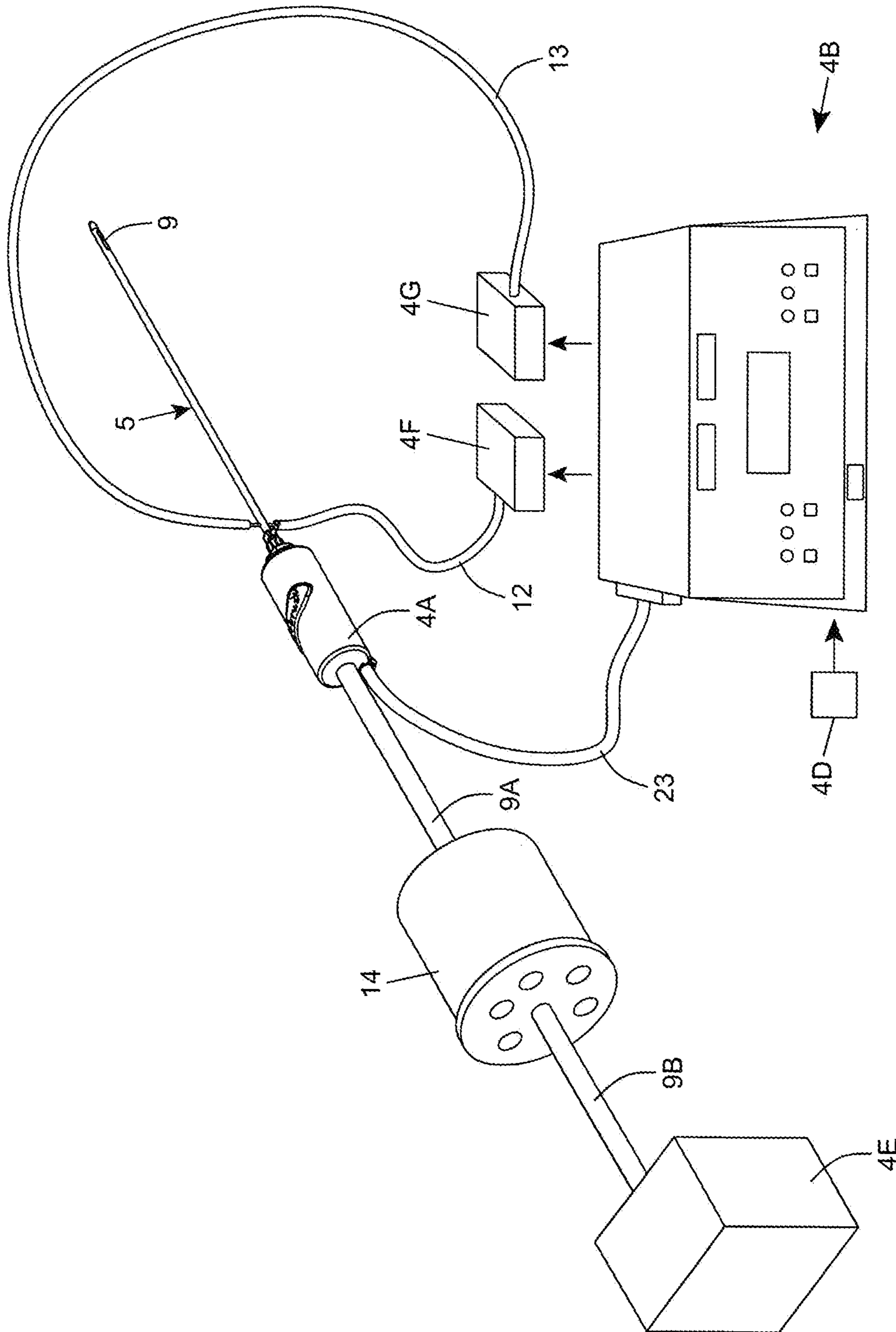


FIG. 2

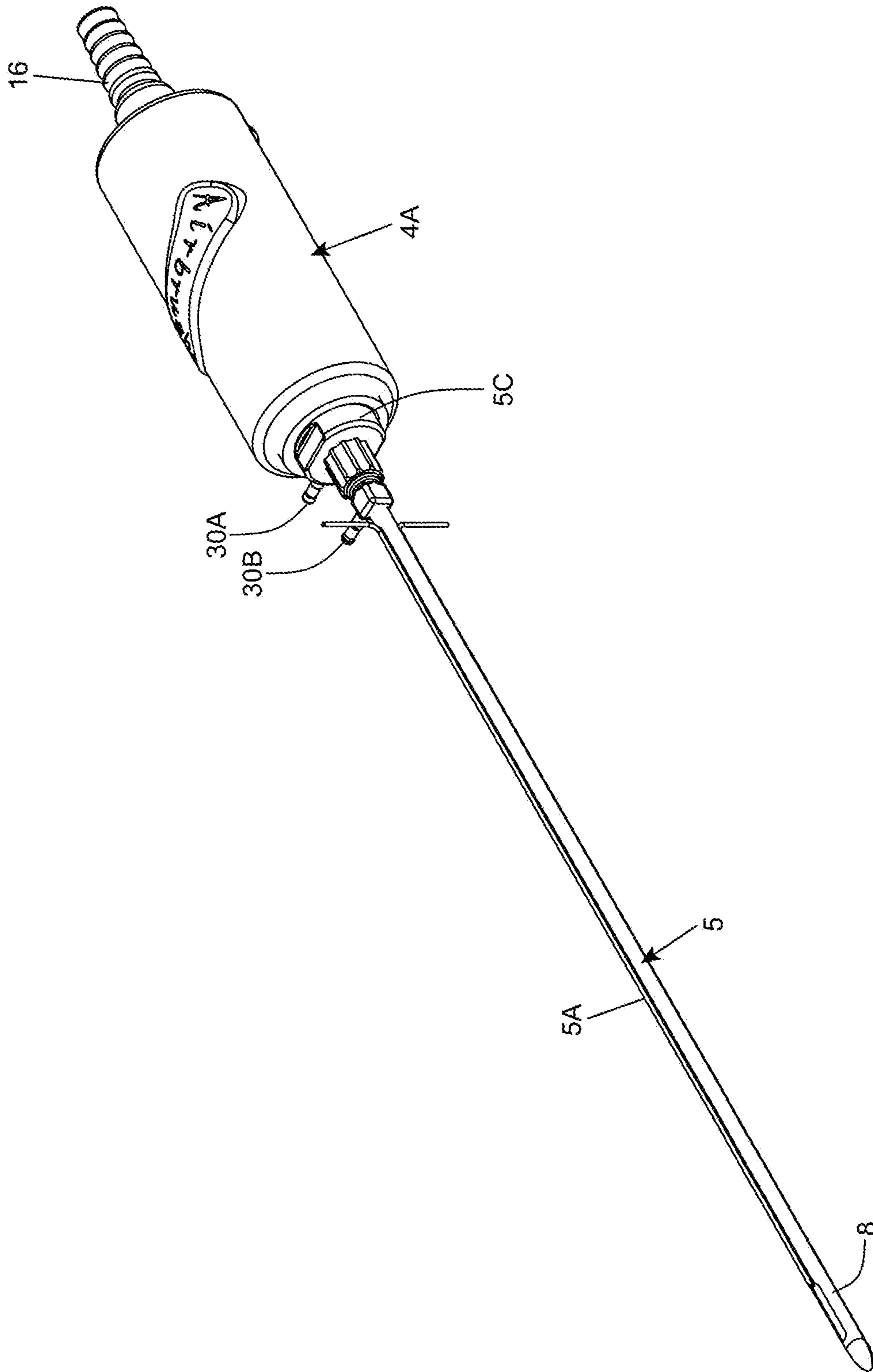


FIG. 2A1

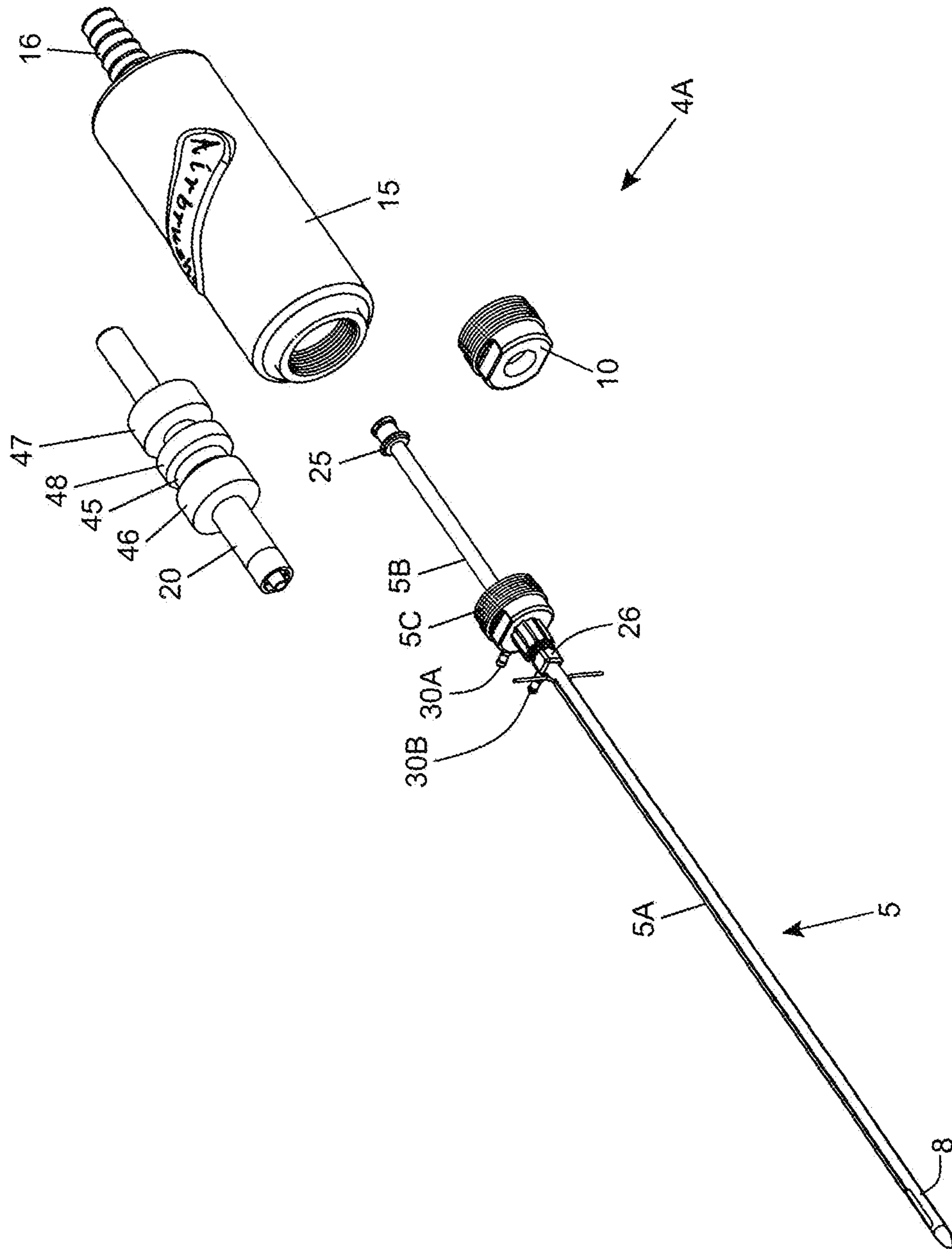


FIG. 2A2

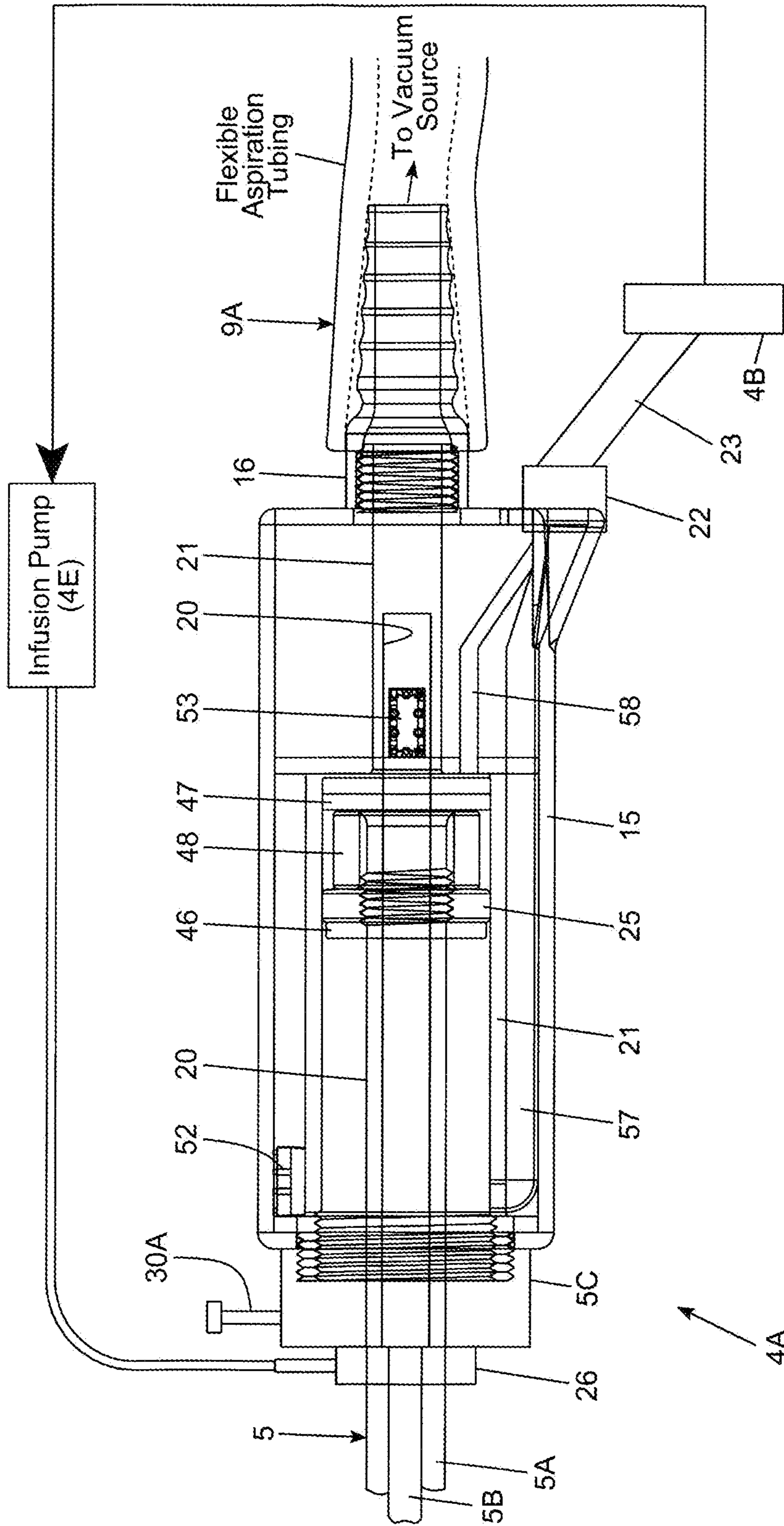


FIG. 2B

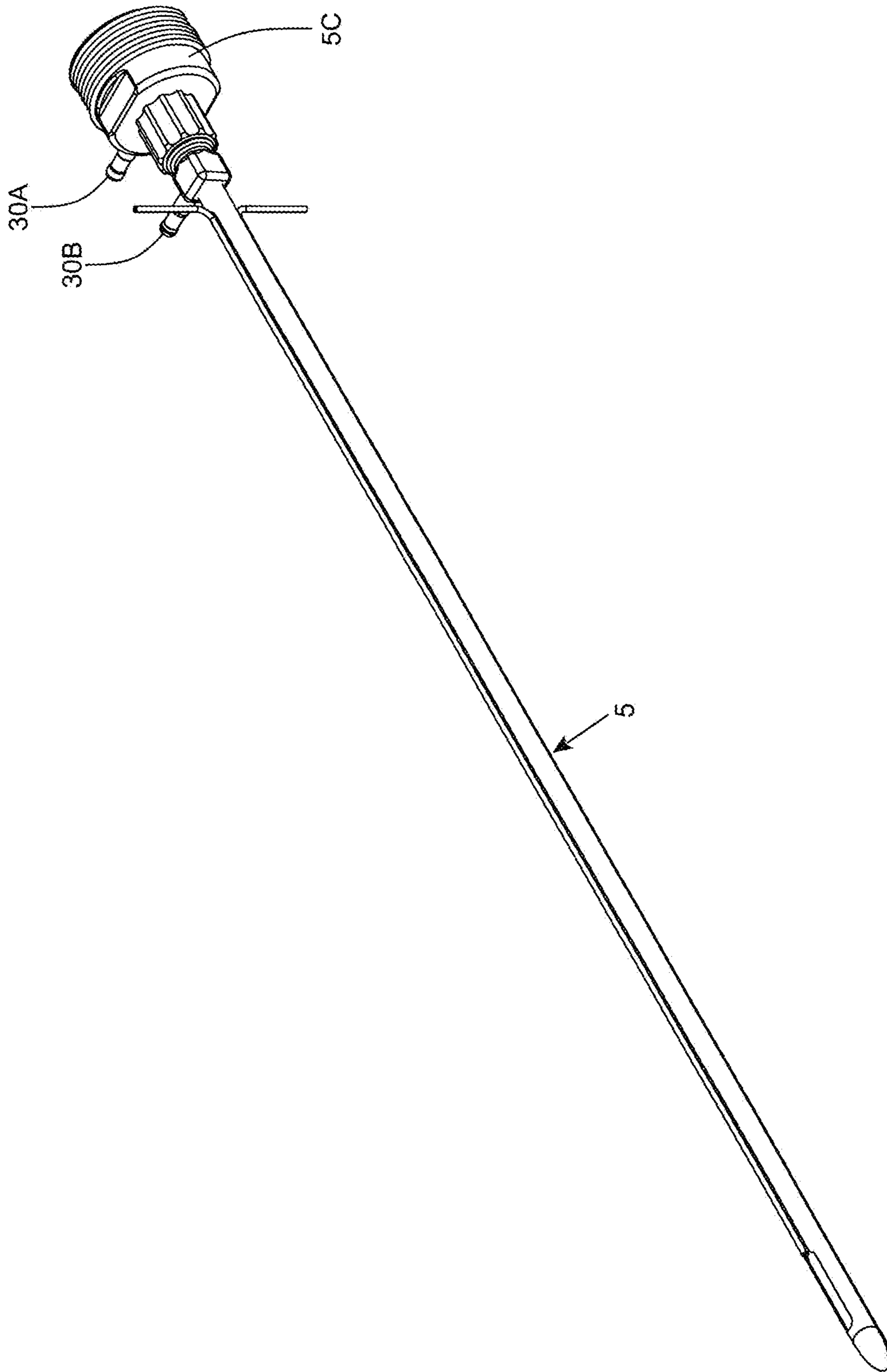


FIG. 2C

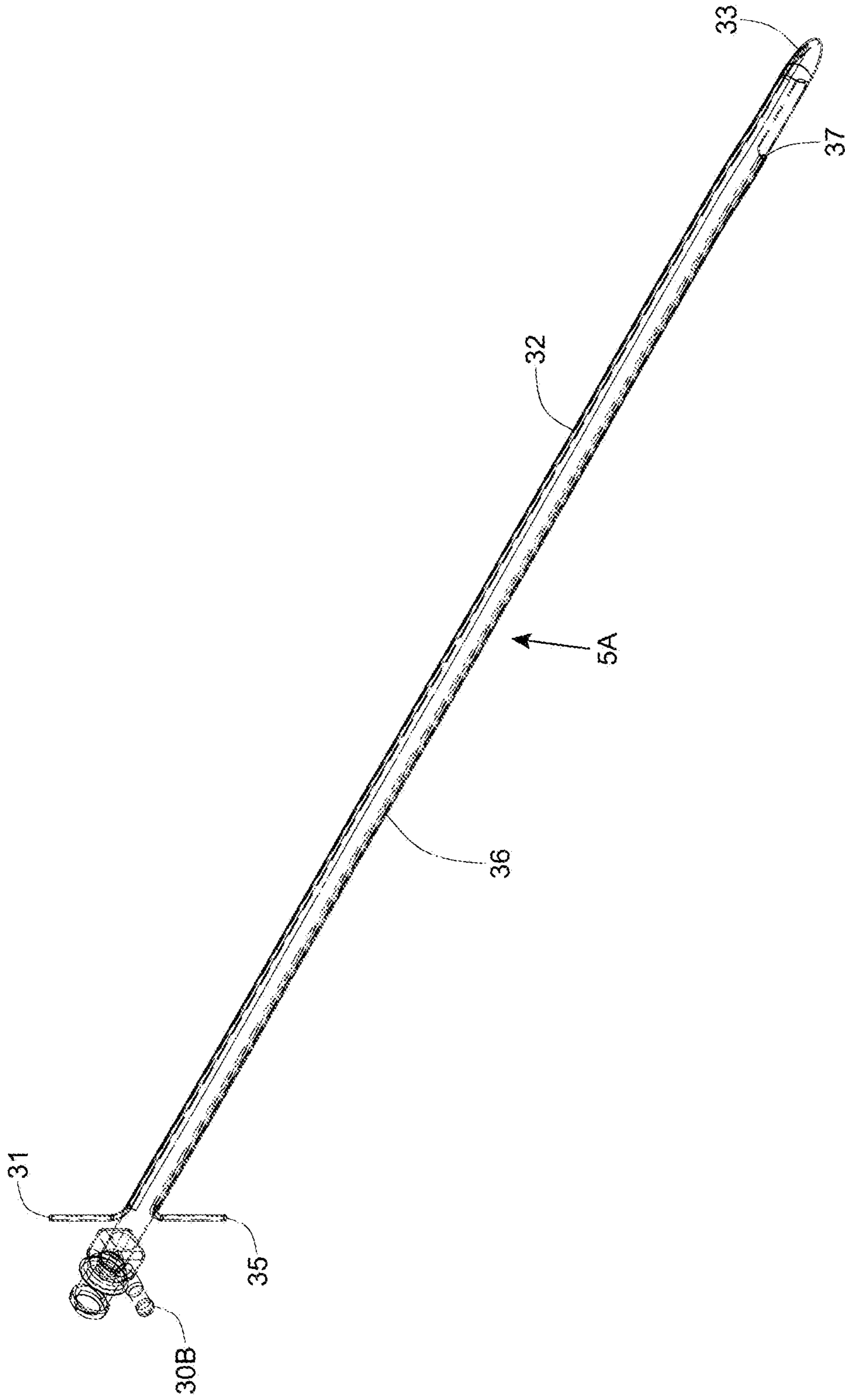


FIG. 2D1

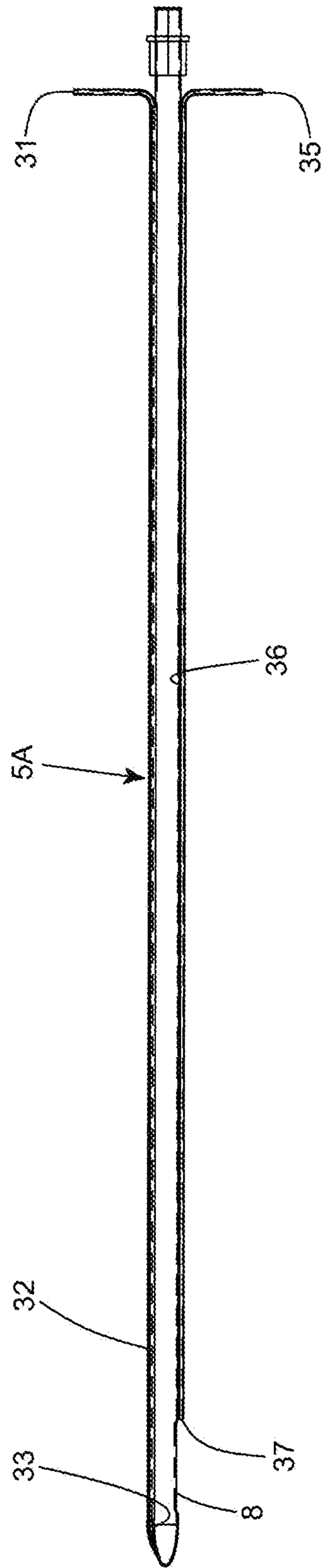


FIG. 2D2

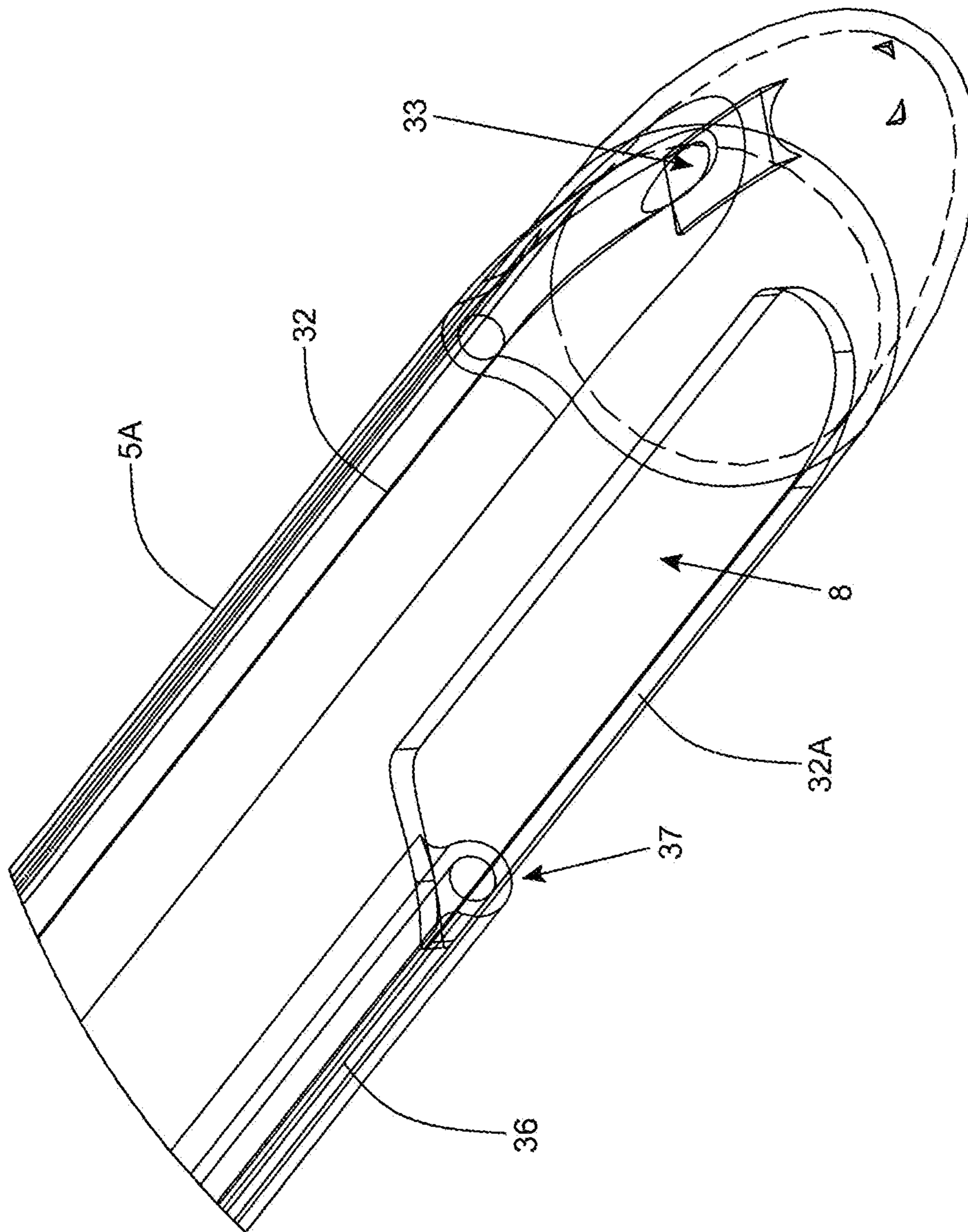


FIG. 2D3

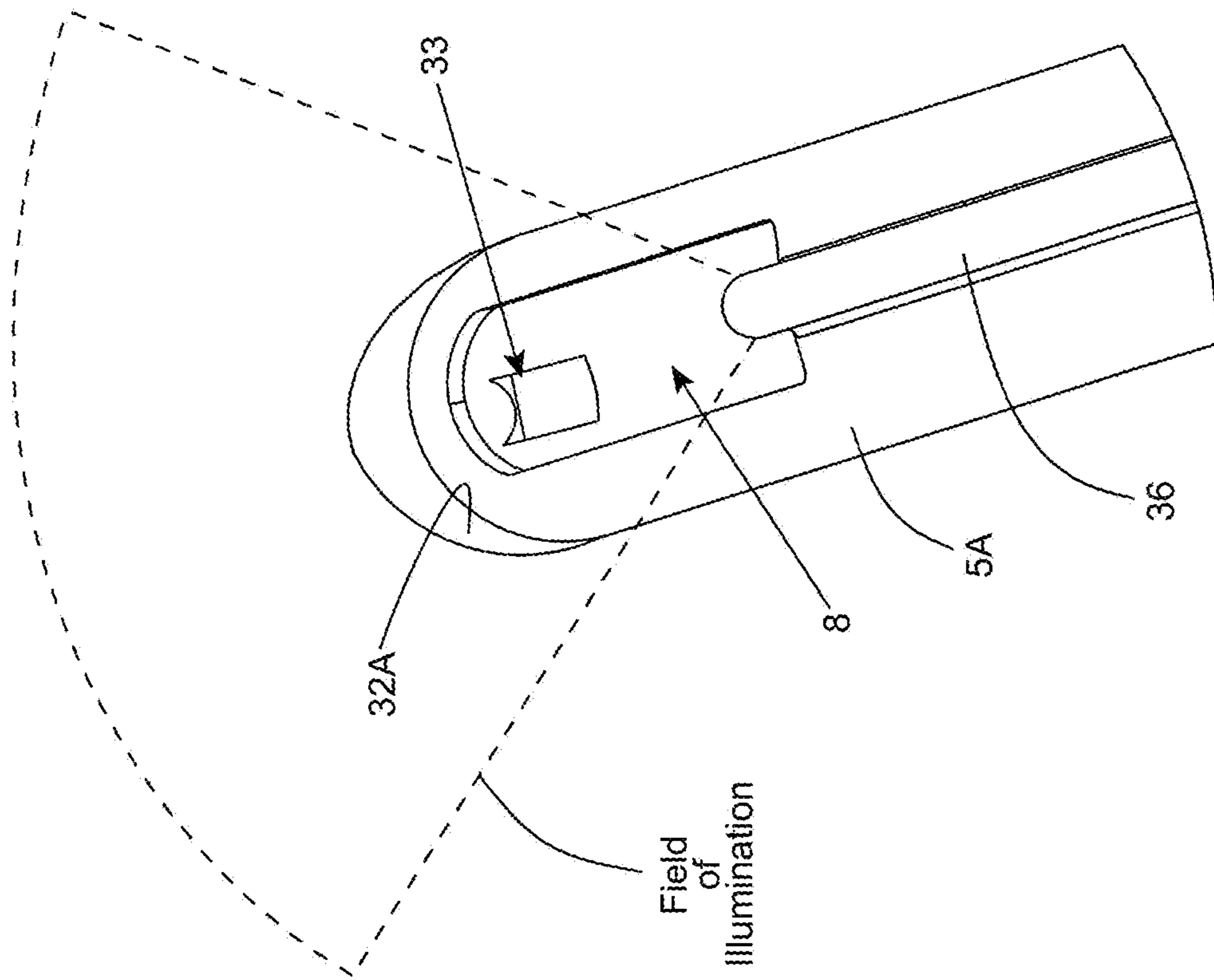


FIG. 2D4

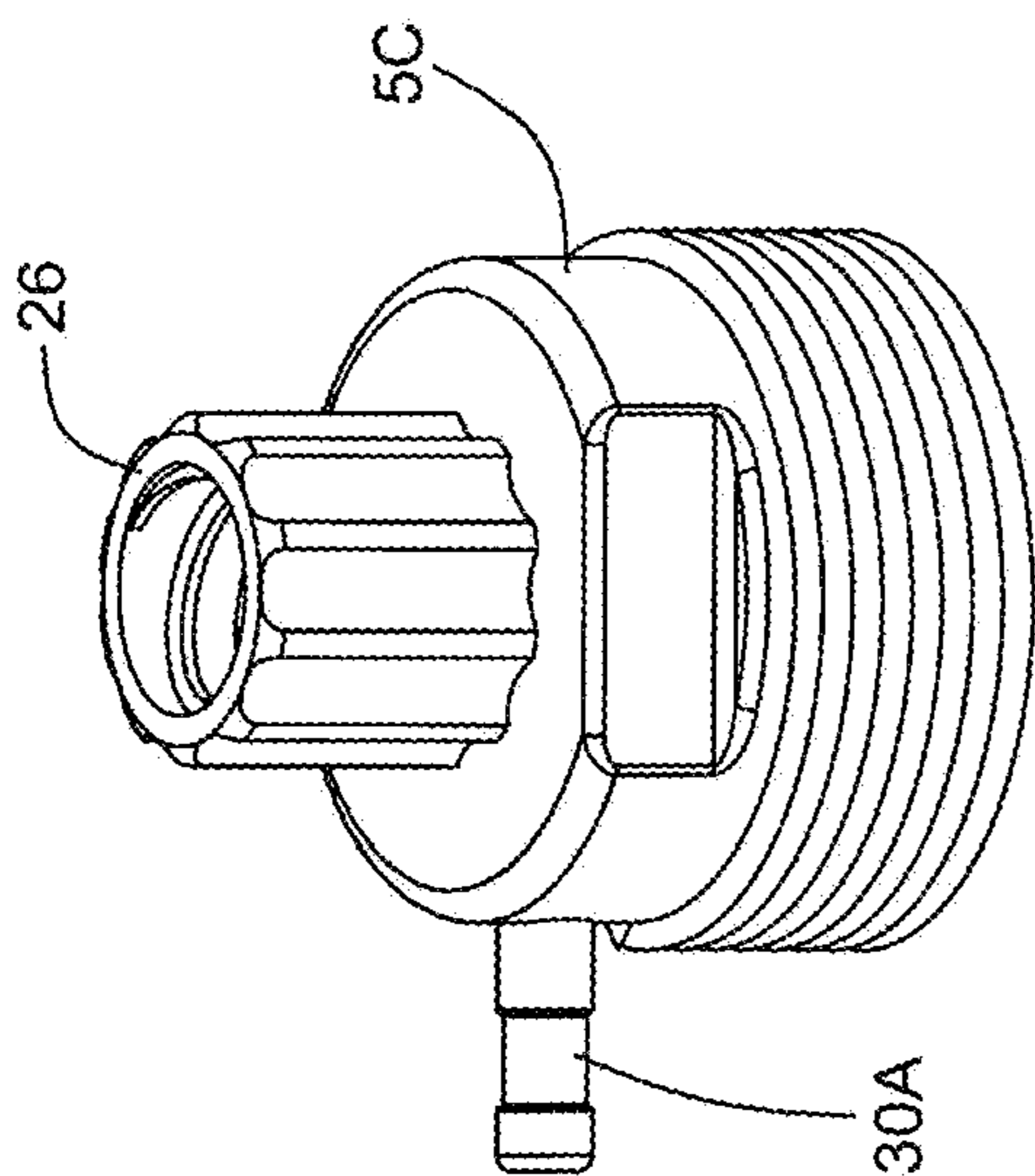


FIG. 2E1

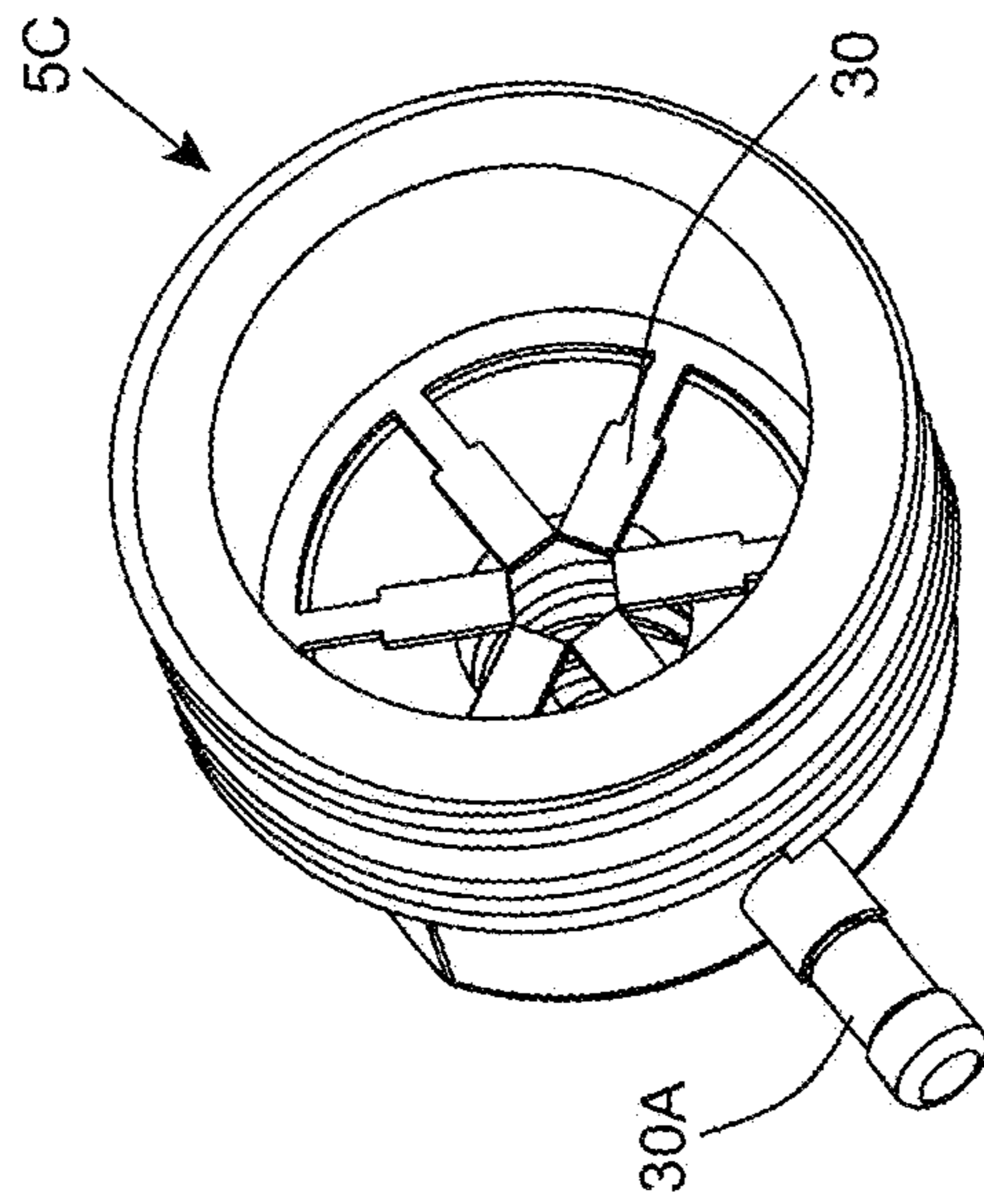


FIG. 2E2

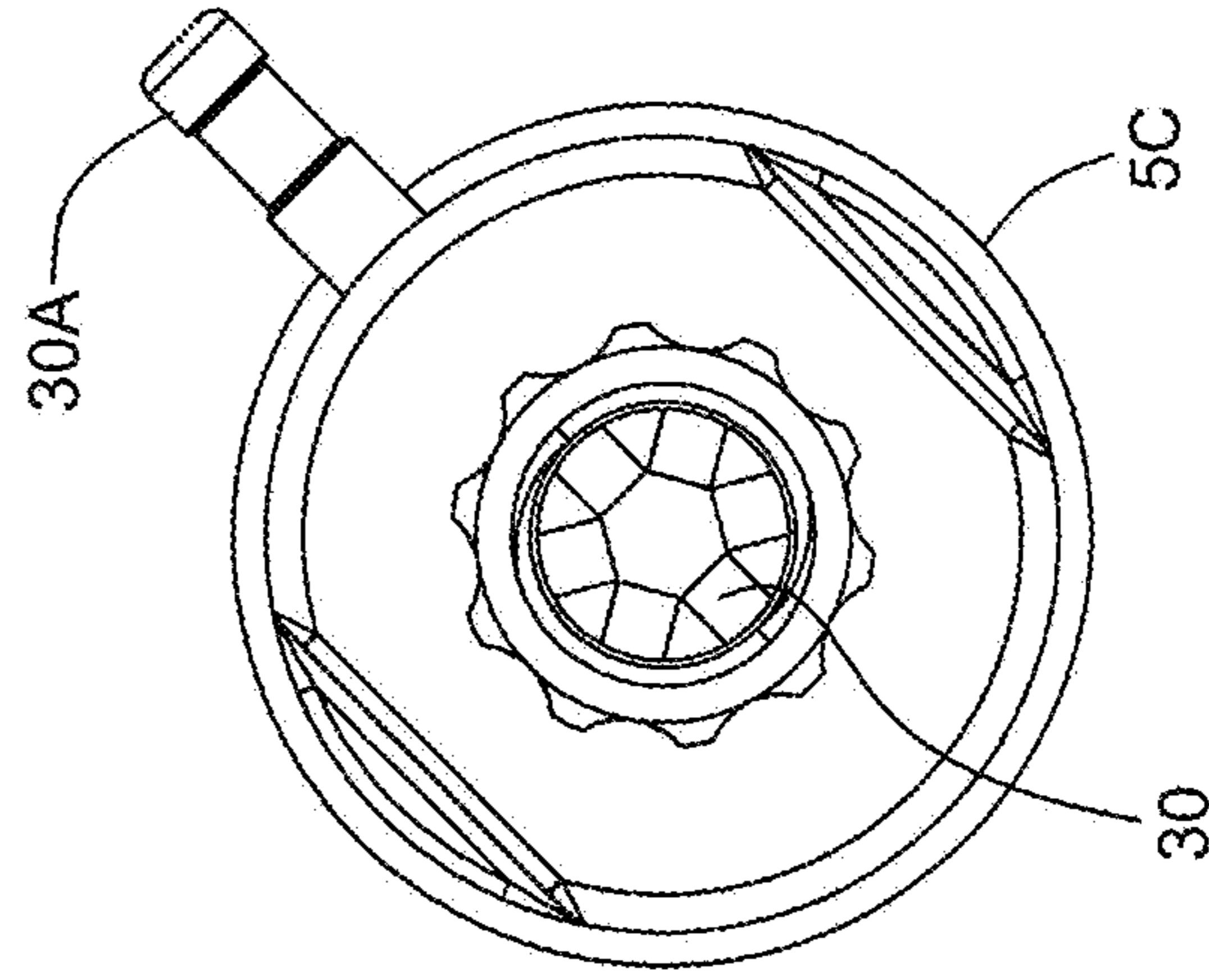


FIG. 2E3

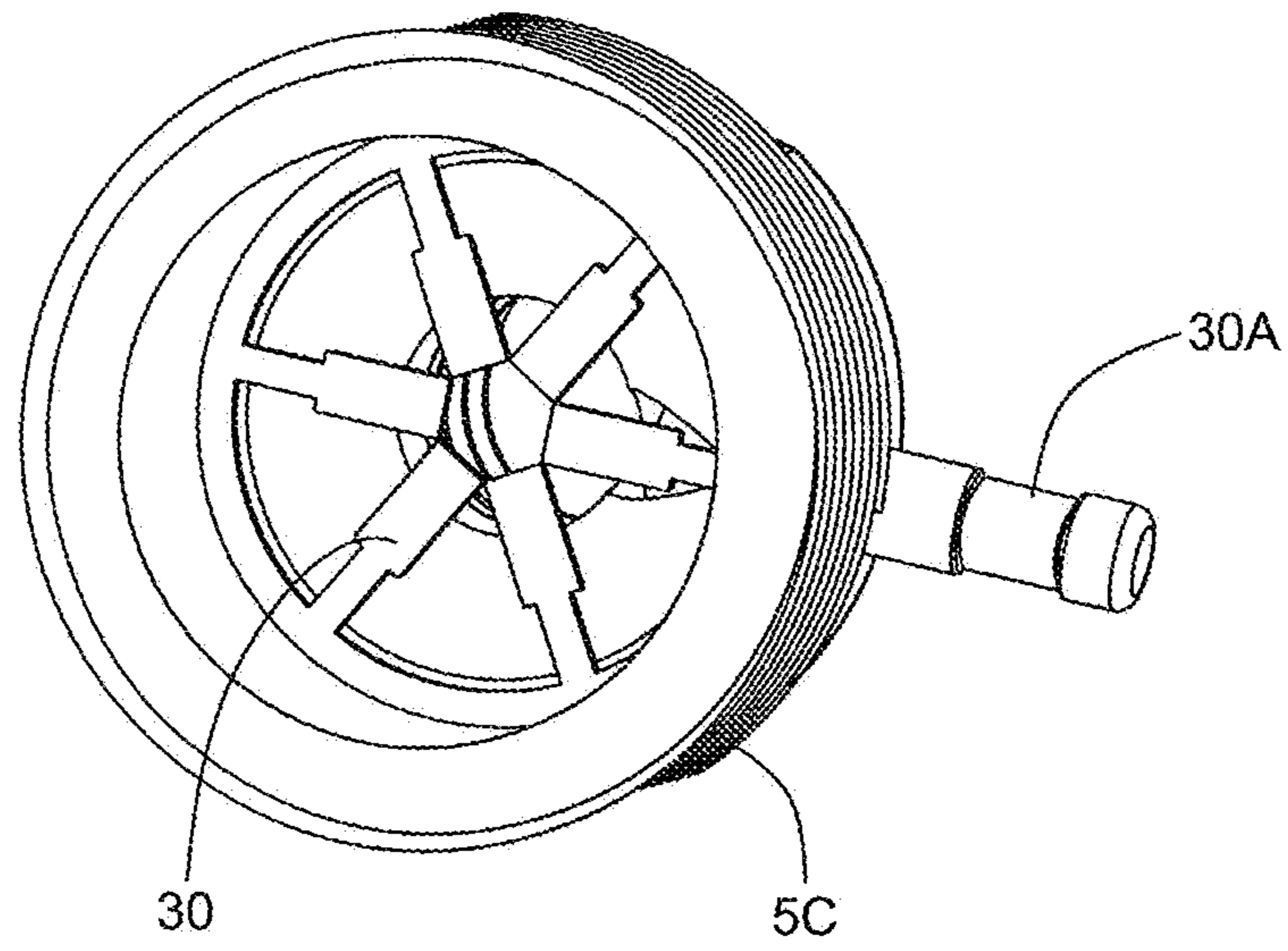


FIG. 2E4

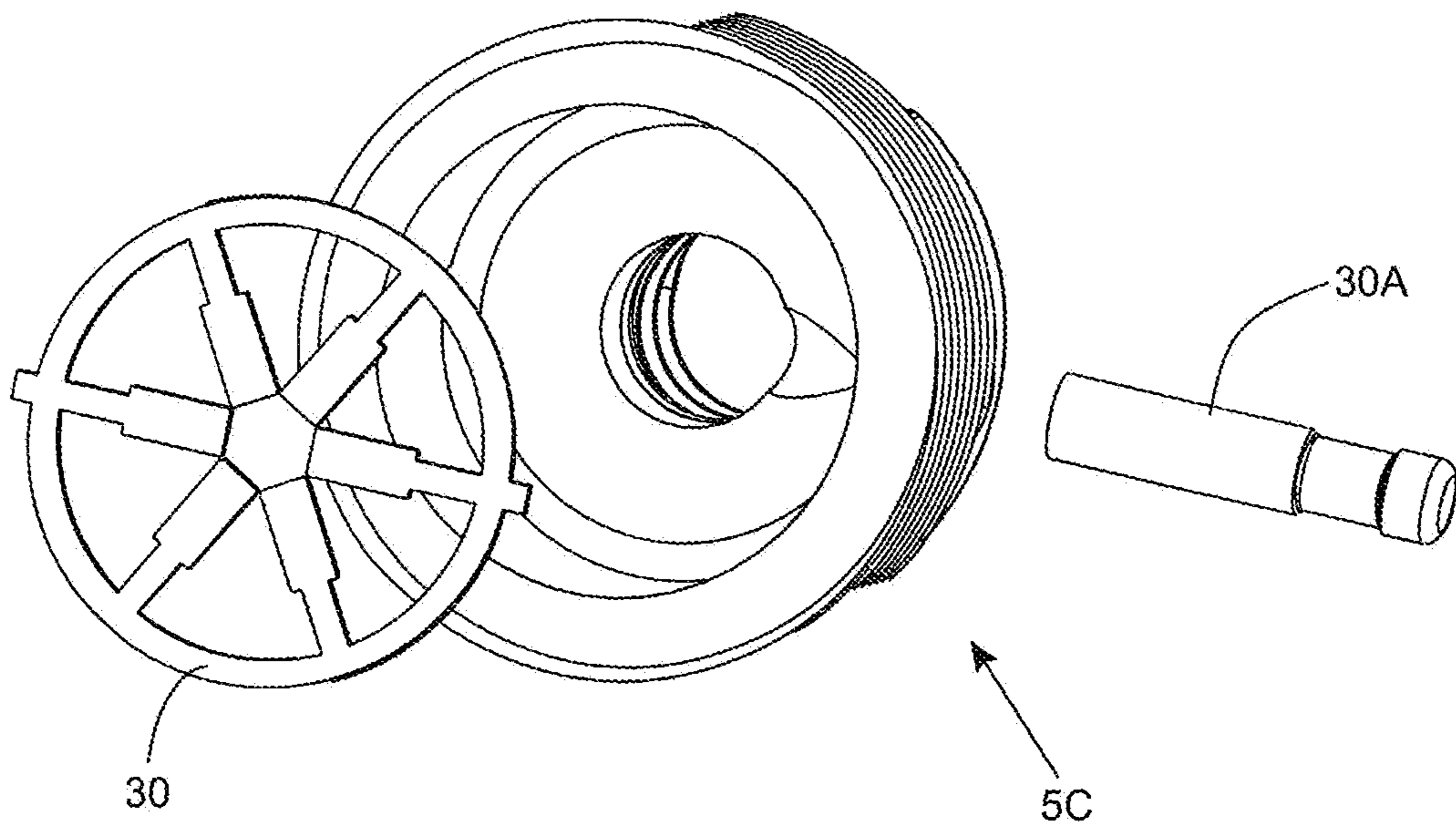


FIG. 2E5

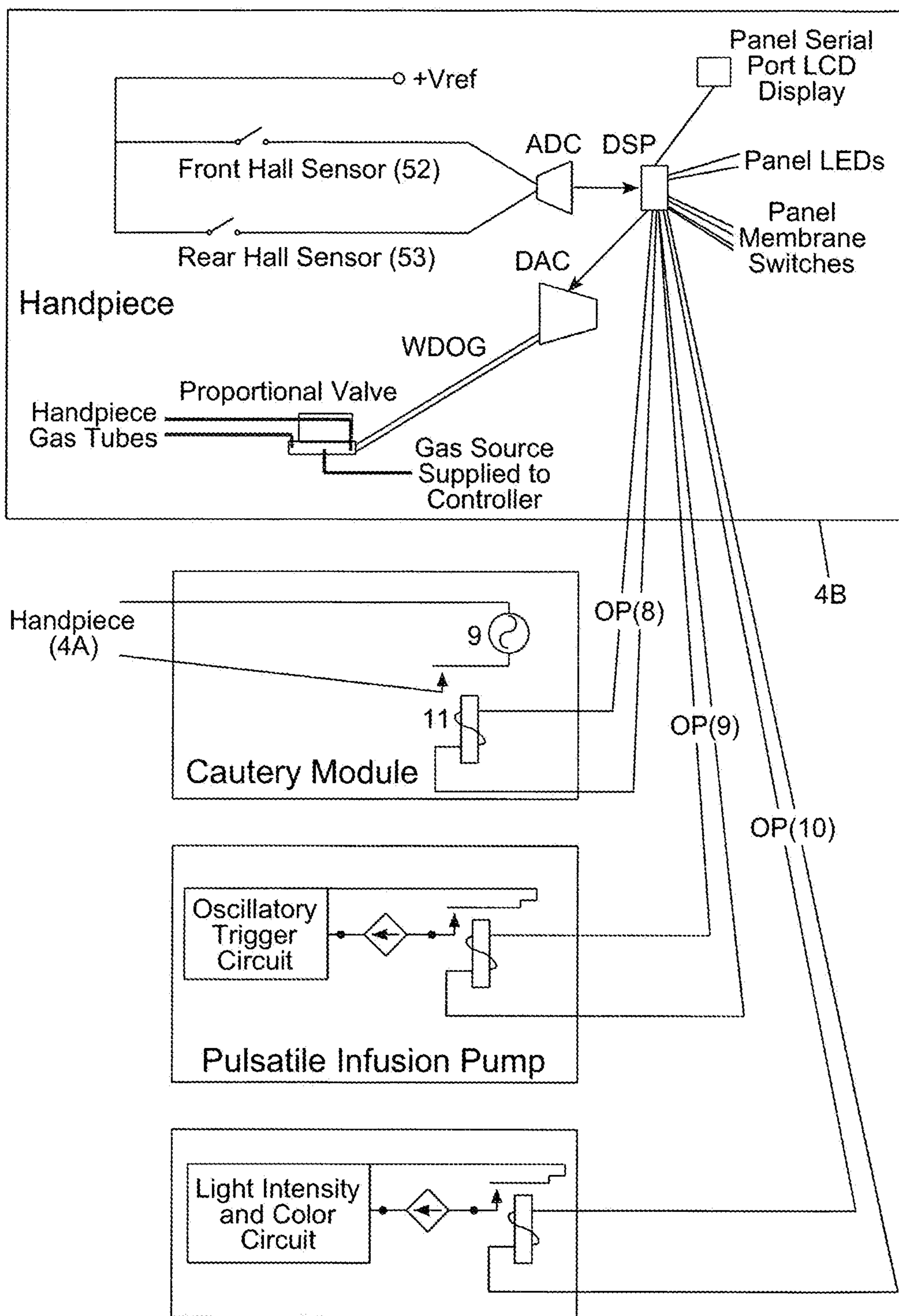


FIG. 2F

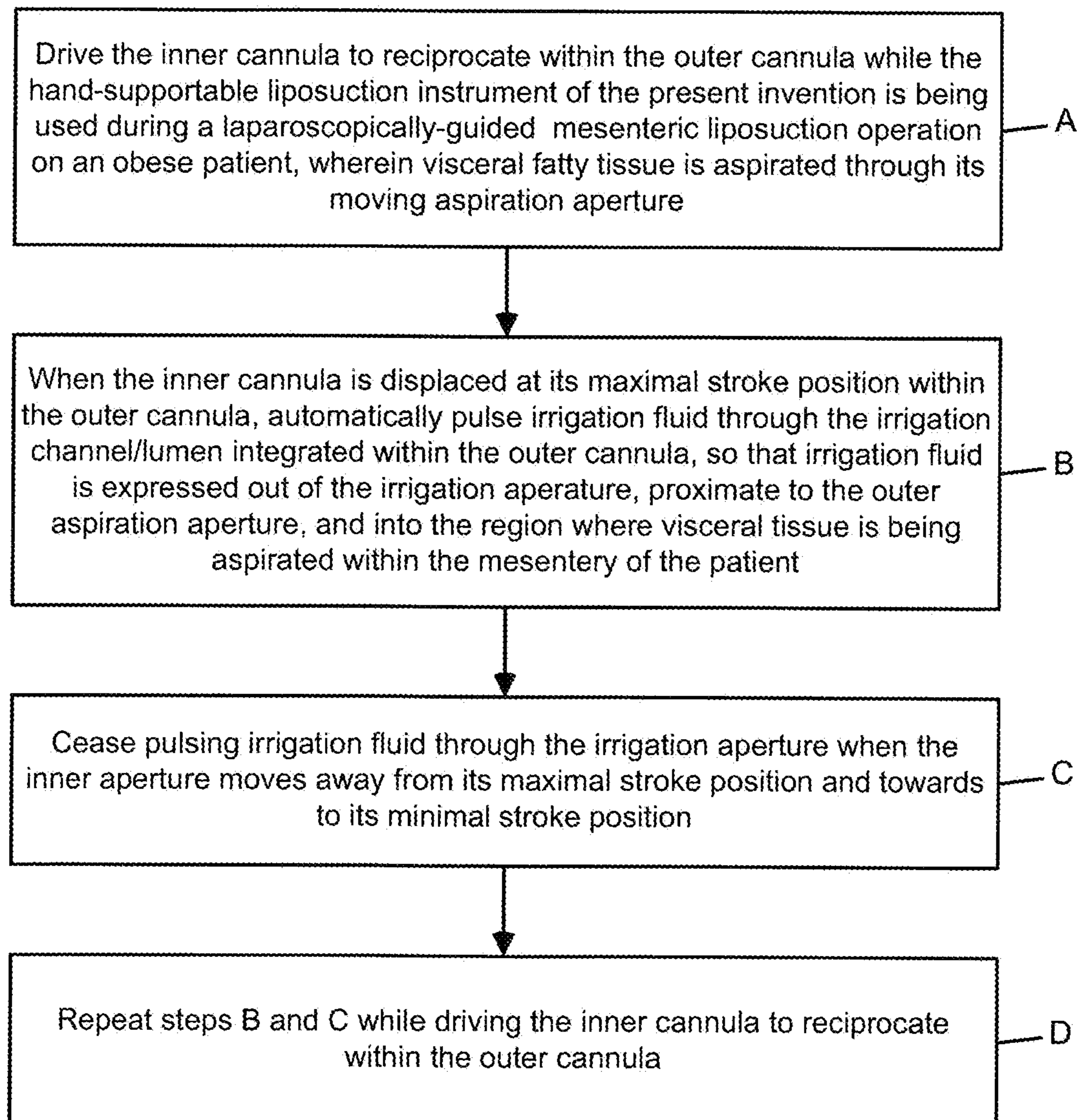


FIG. 2G


```
'enable cautery if appropriate on forward stroke
IF VR(14)=1 THEN
  IF VR(11)=1 THEN
    WDOG=ON 'close cautery relay
  ELSE
    WDOG=OFF 'open cautery relay
  ENDIF
ENDIF
ENDIF
```

VR(14) Doc enabled cautery by
pushing console button

VR(11) Cannula is not in the same
position on this loop (2ms later) as
last time

FIG. 2H

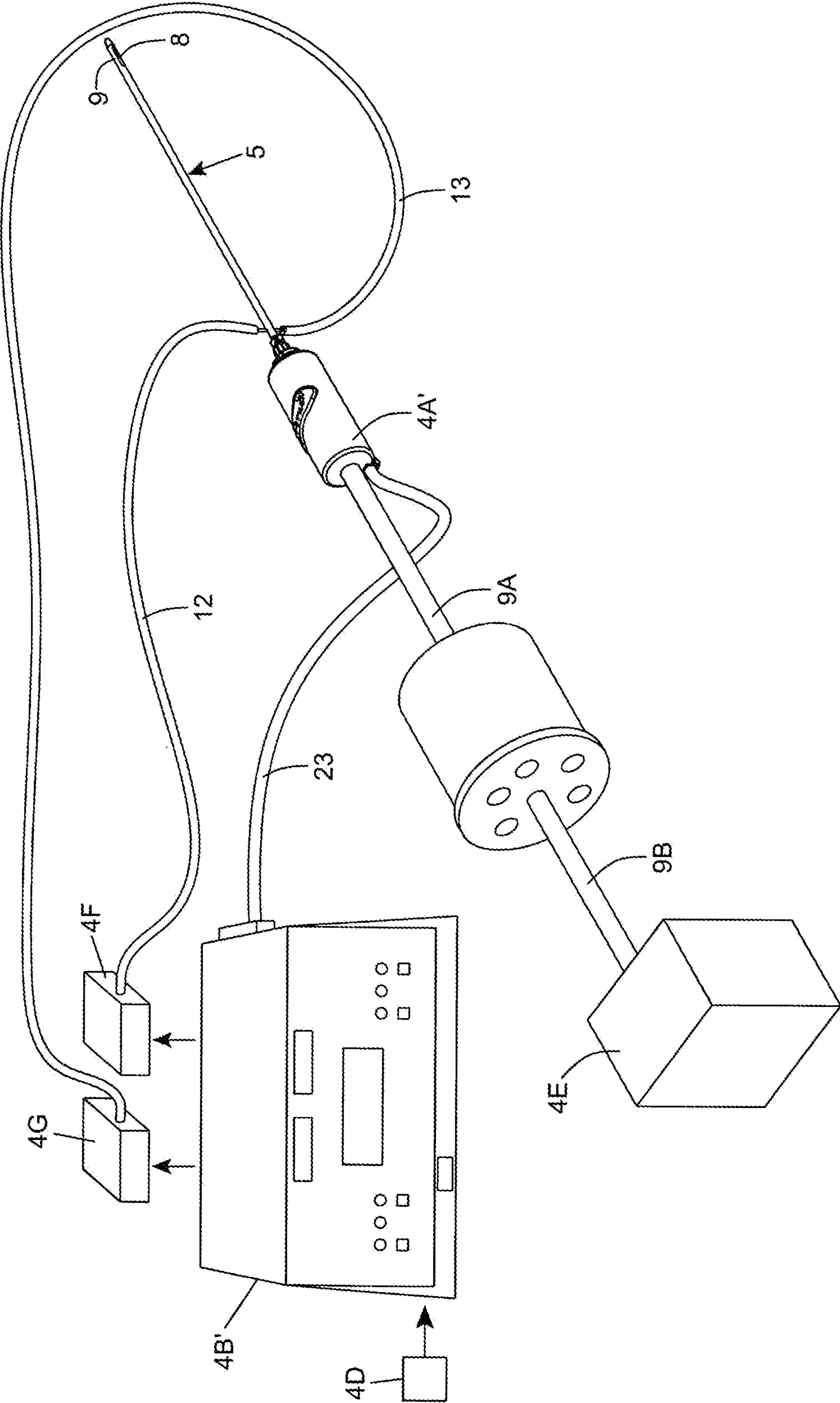


FIG. 3

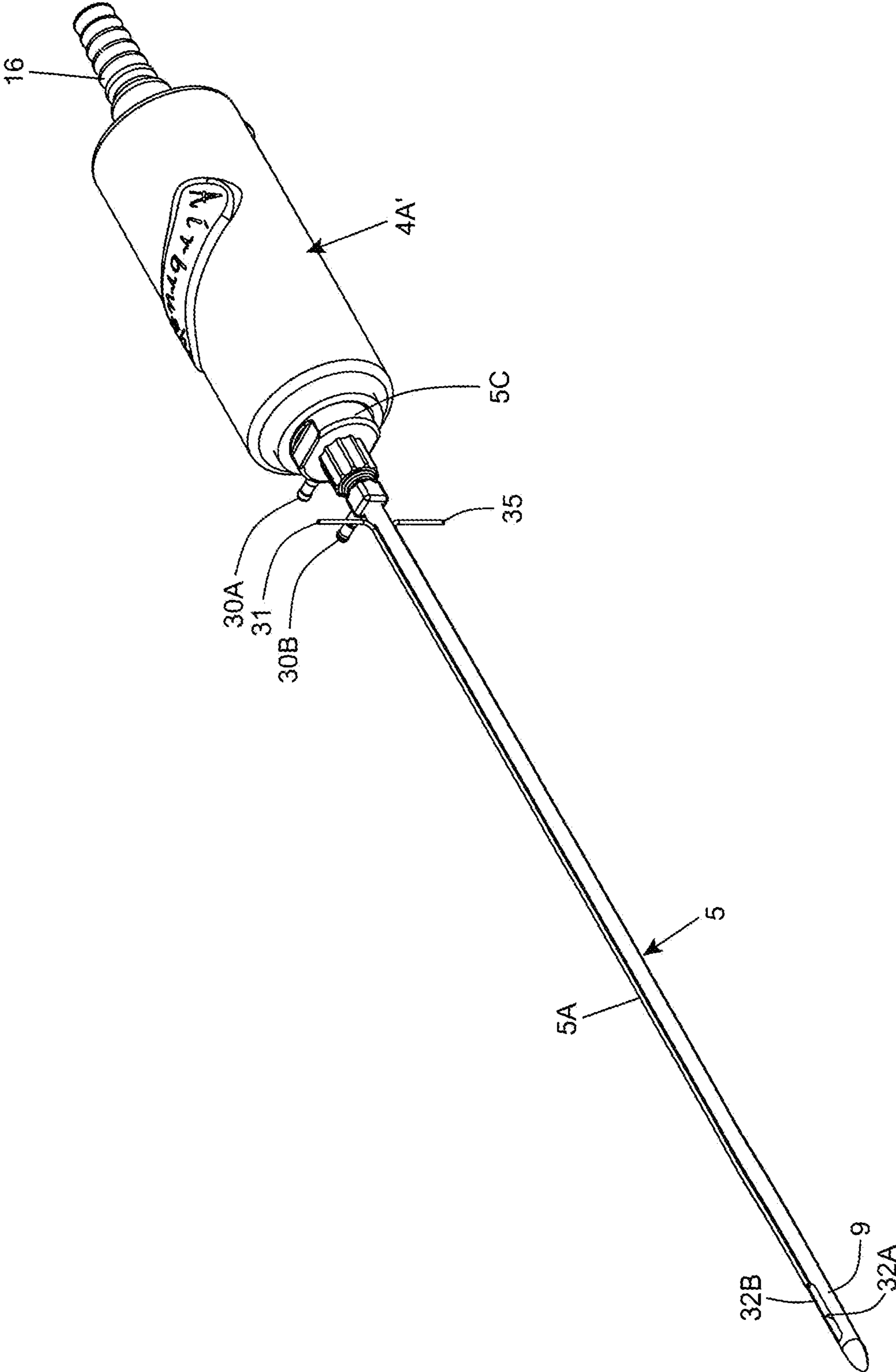


FIG. 3A

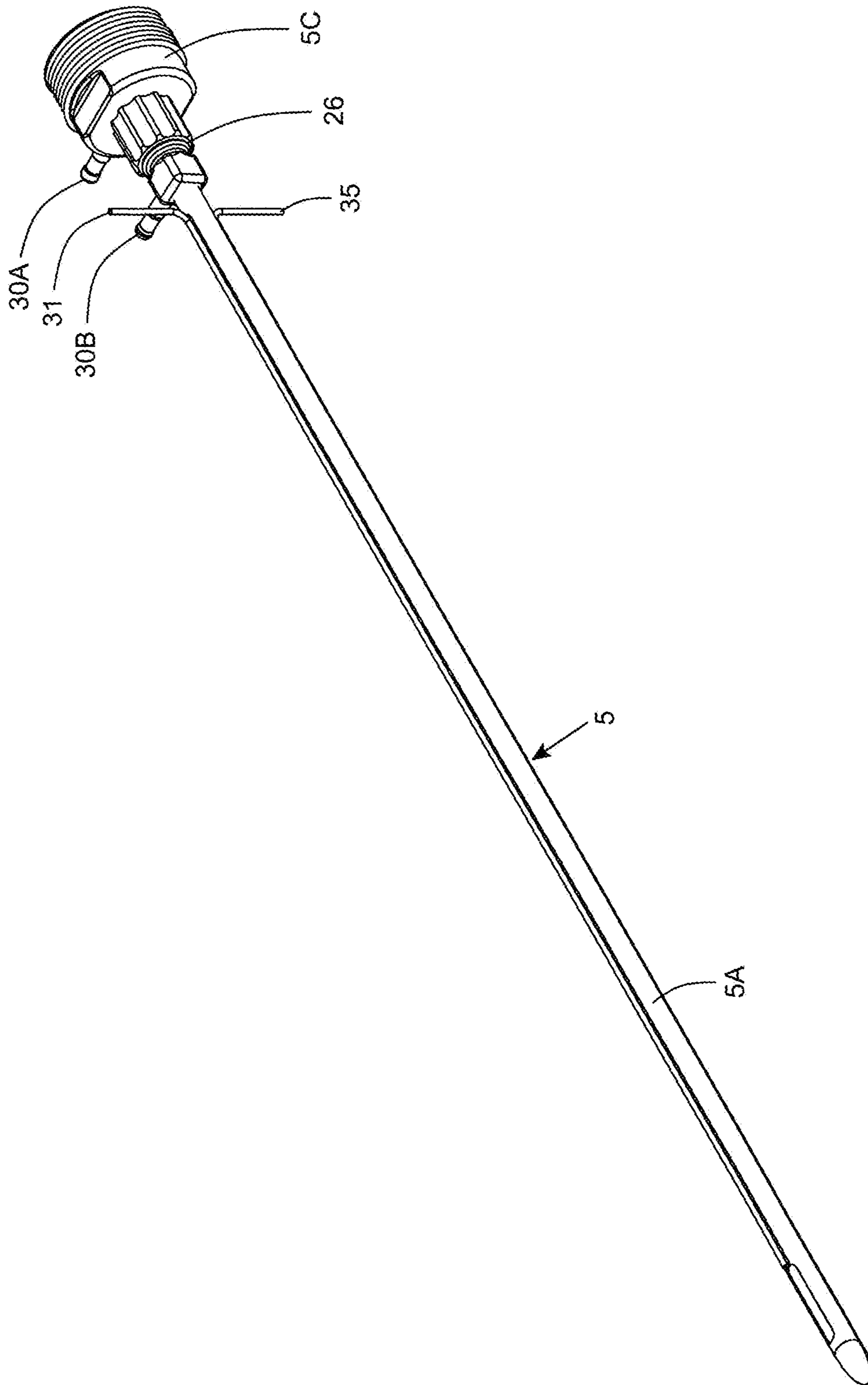


FIG. 3B

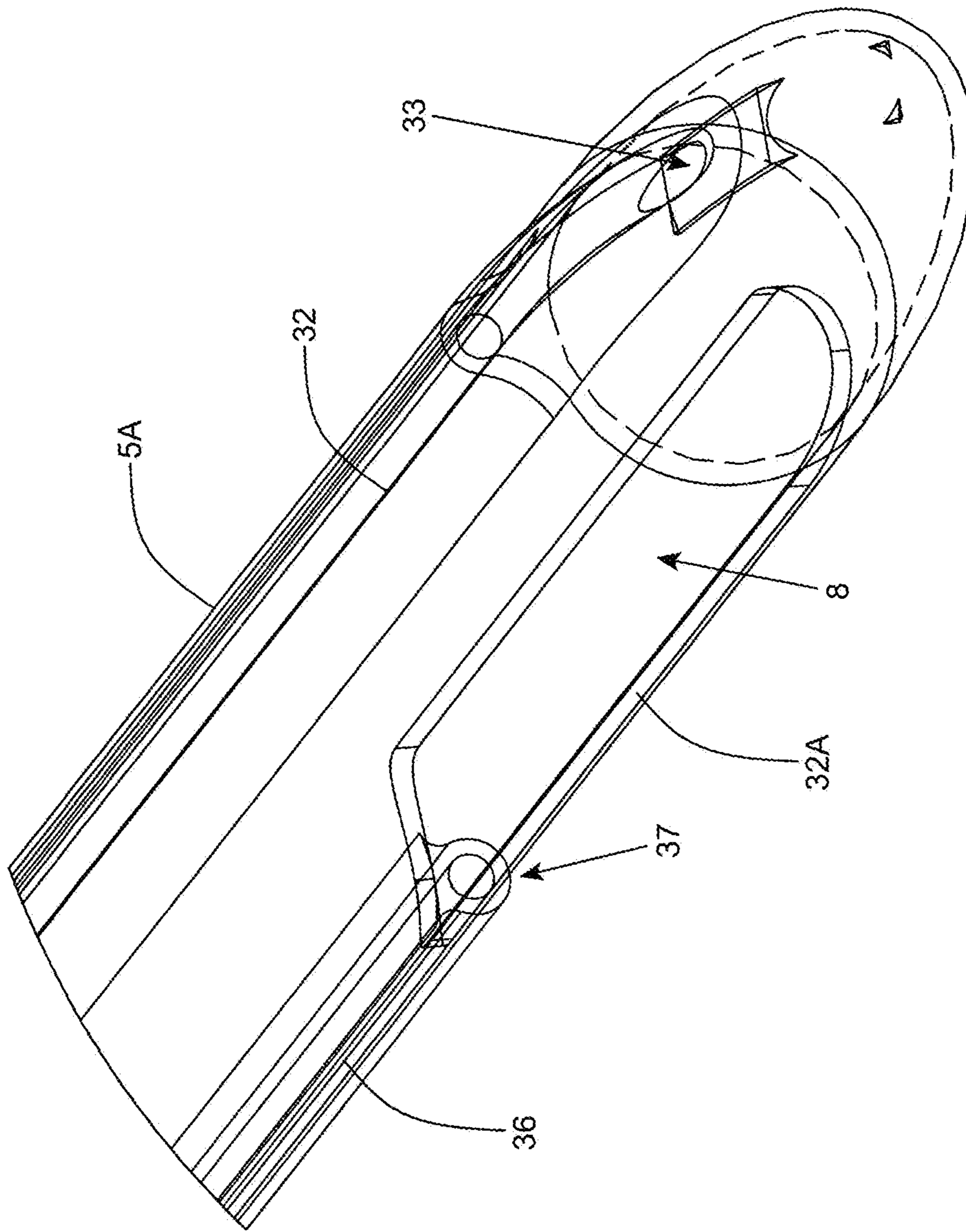


FIG. 3C

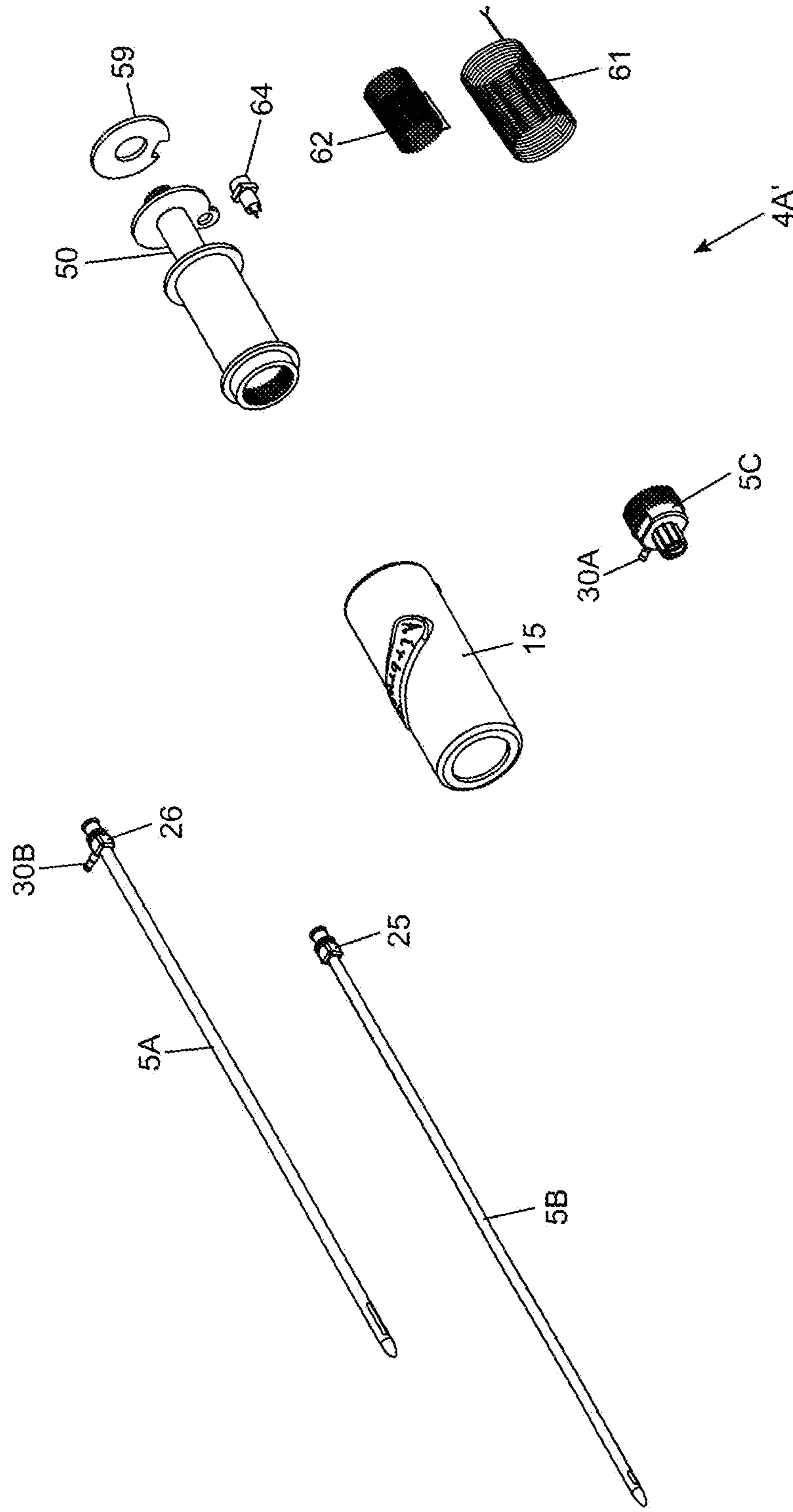


FIG. 3D1

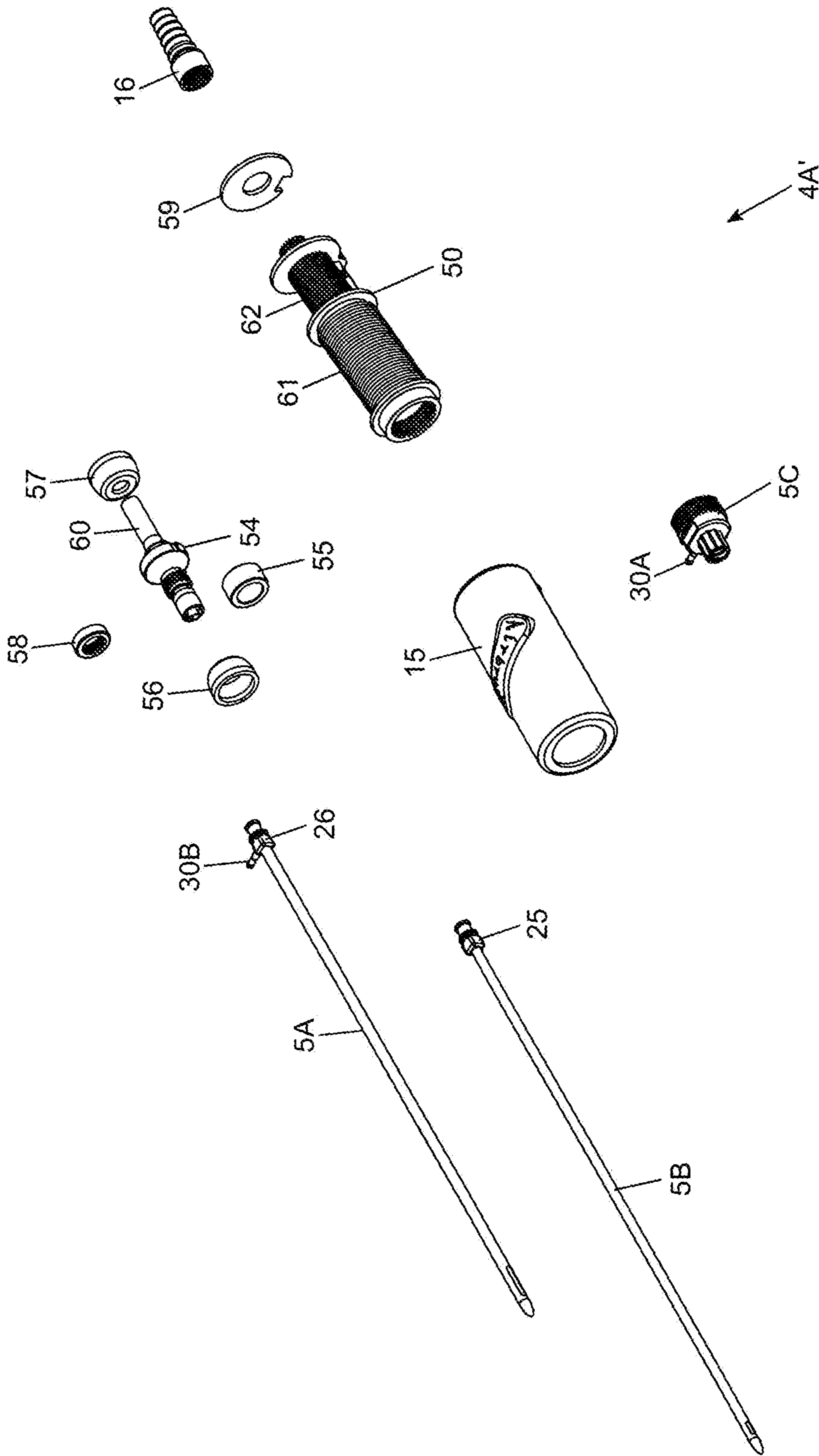


FIG. 3D2

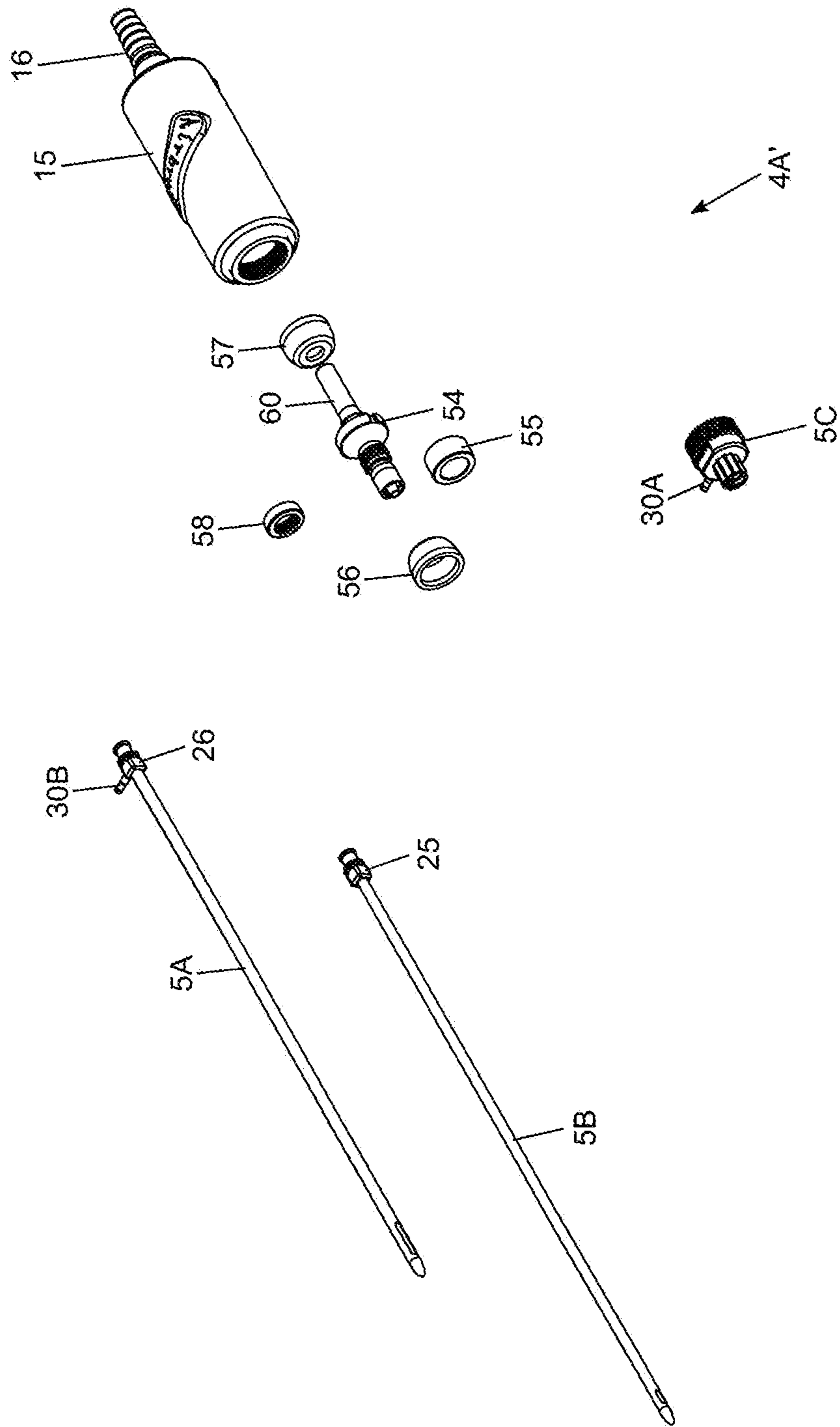


FIG. 3D3

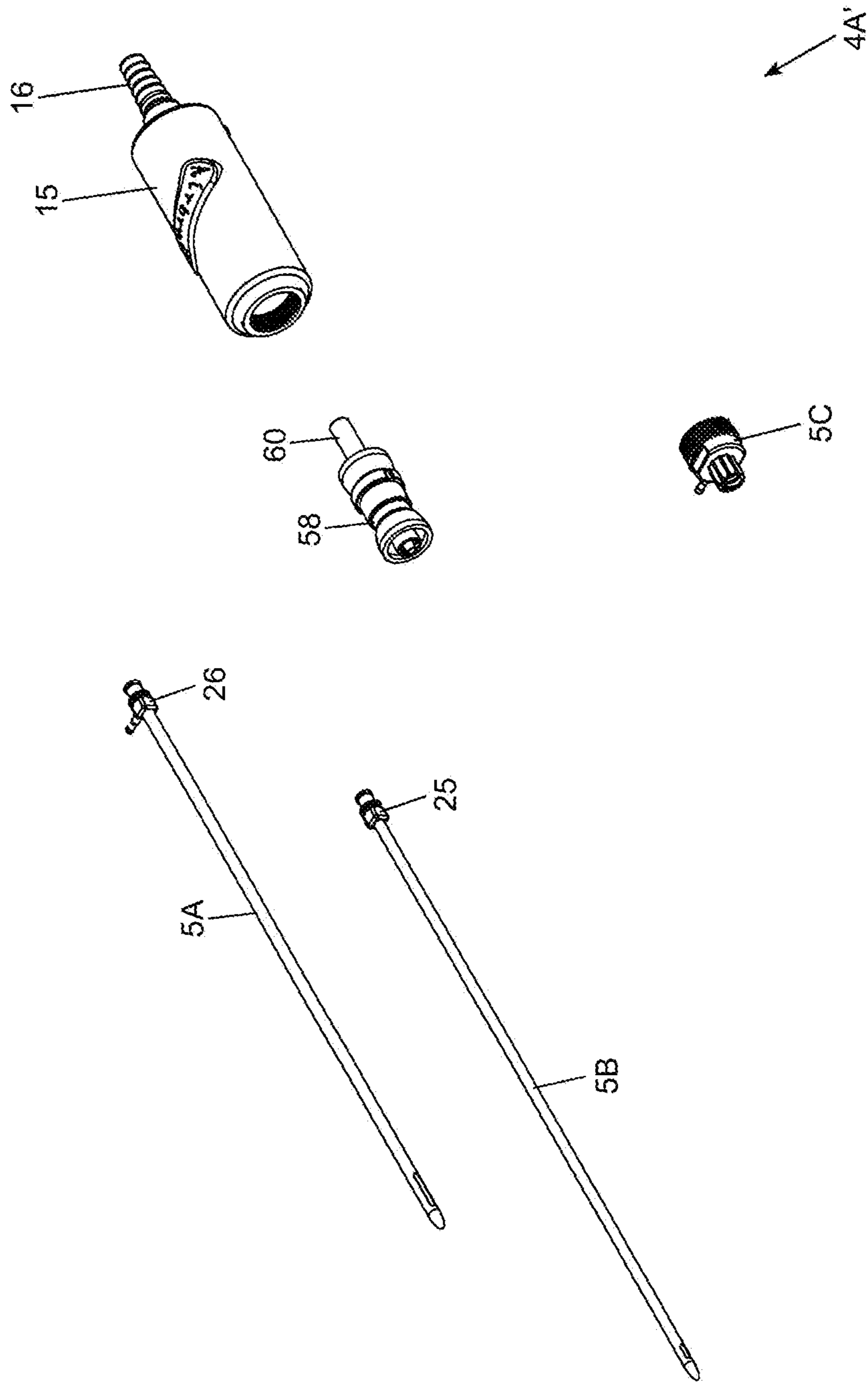


FIG. 3D4

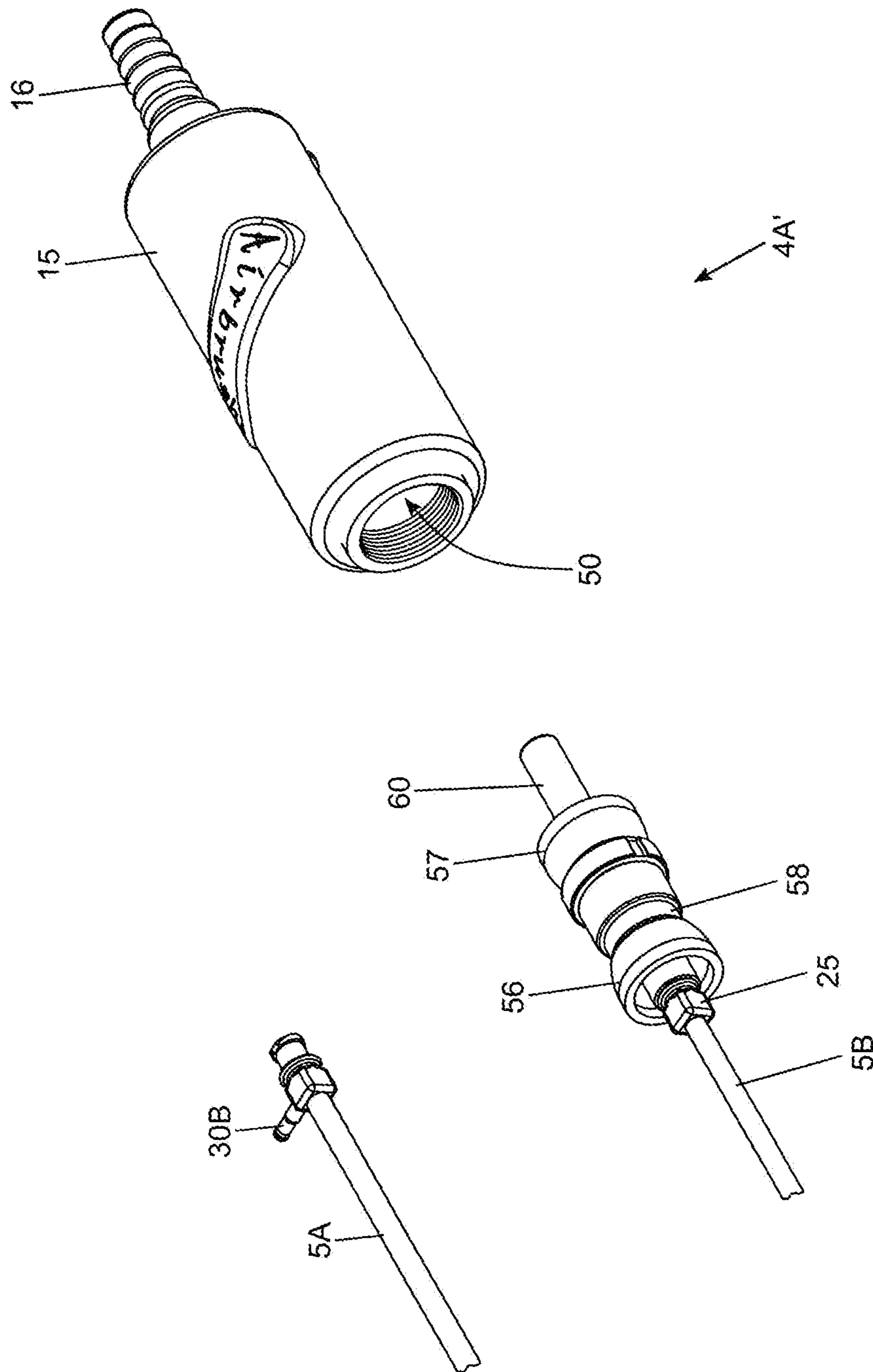


FIG. 3D5

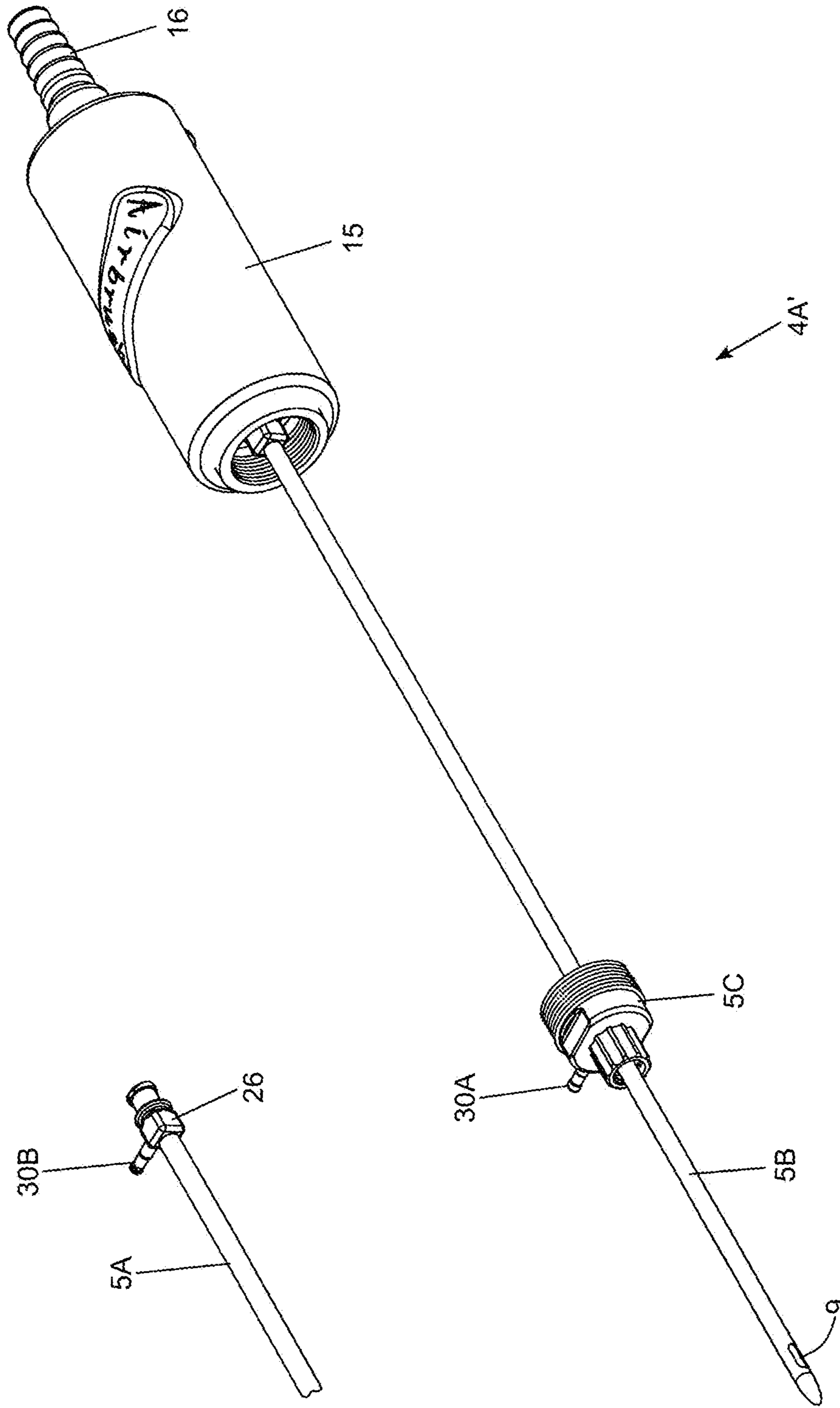


FIG. 3D6

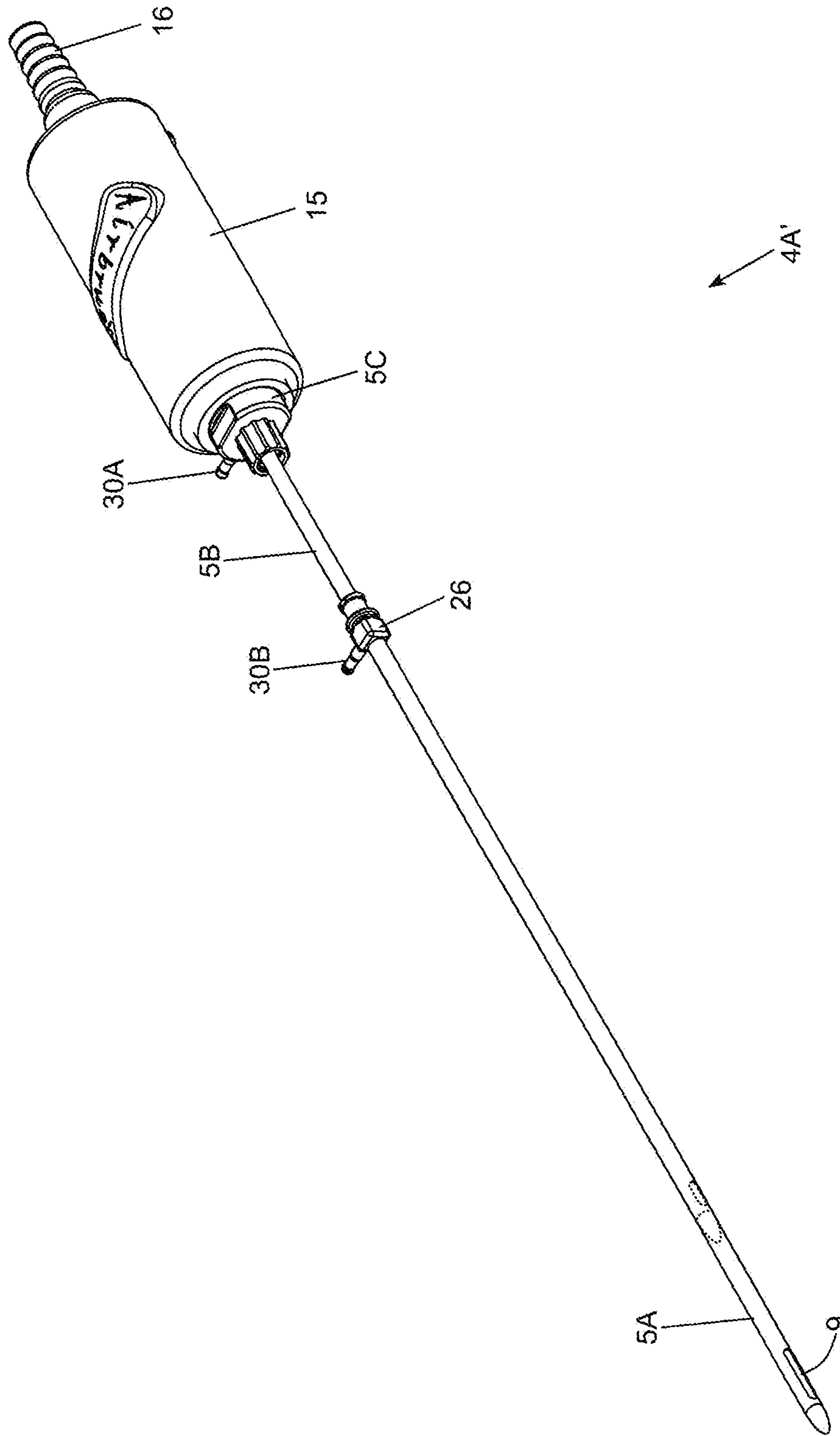


FIG. 3D7

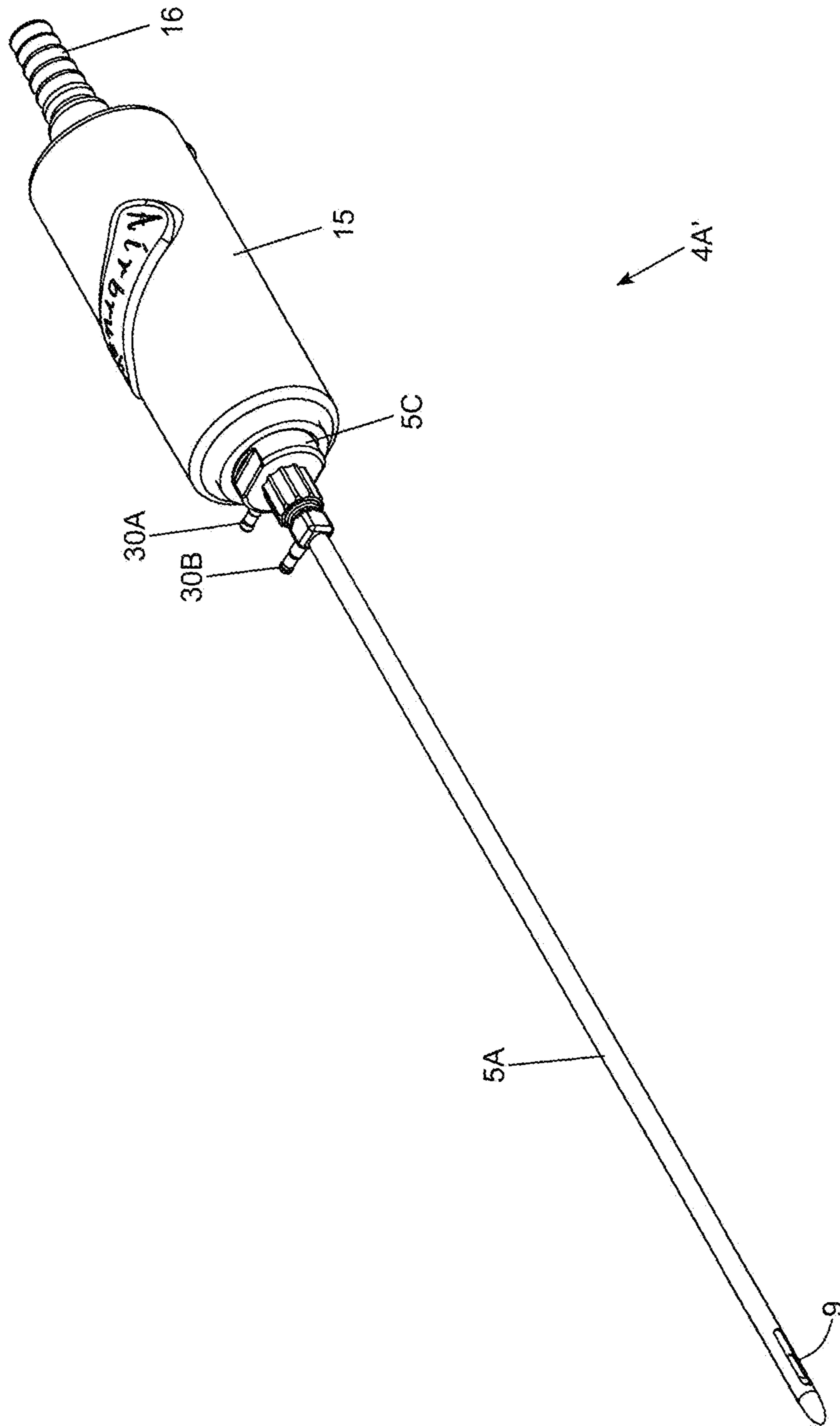


FIG. 3D8

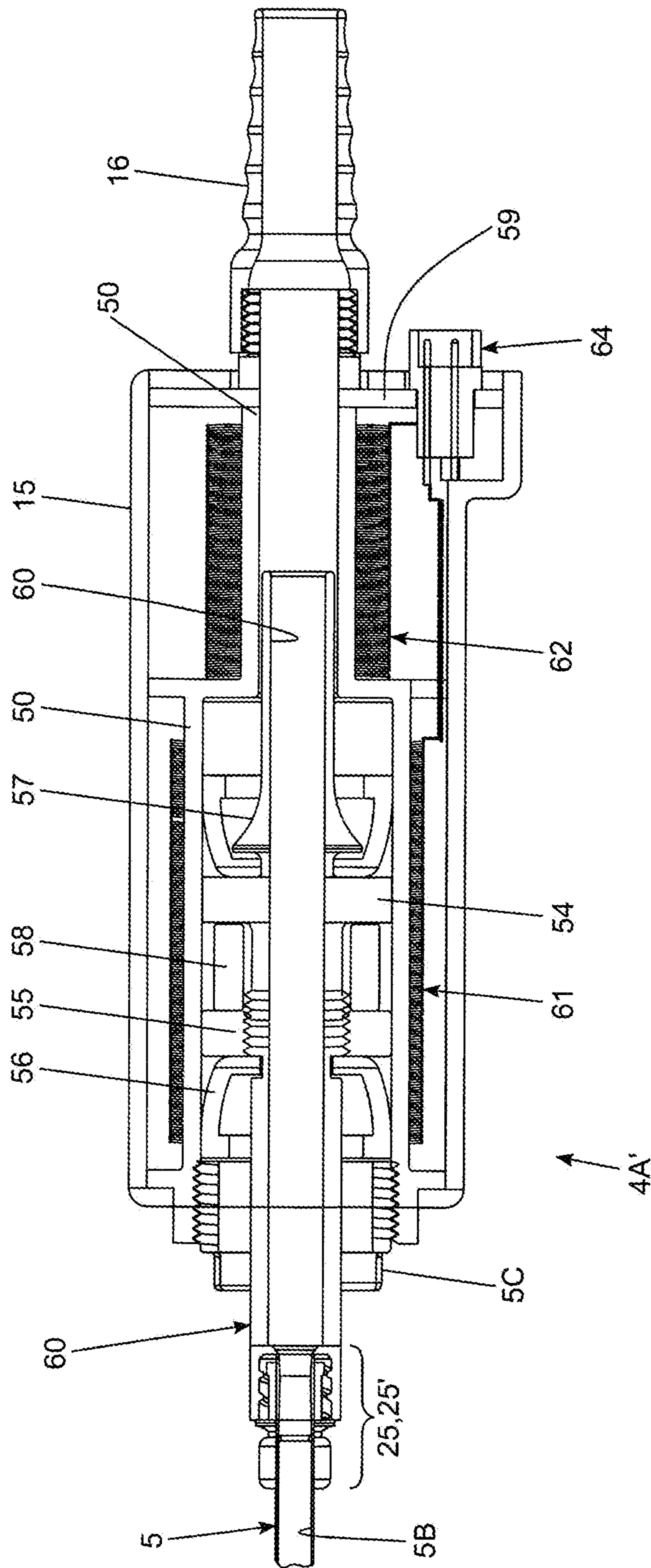


FIG. 3E

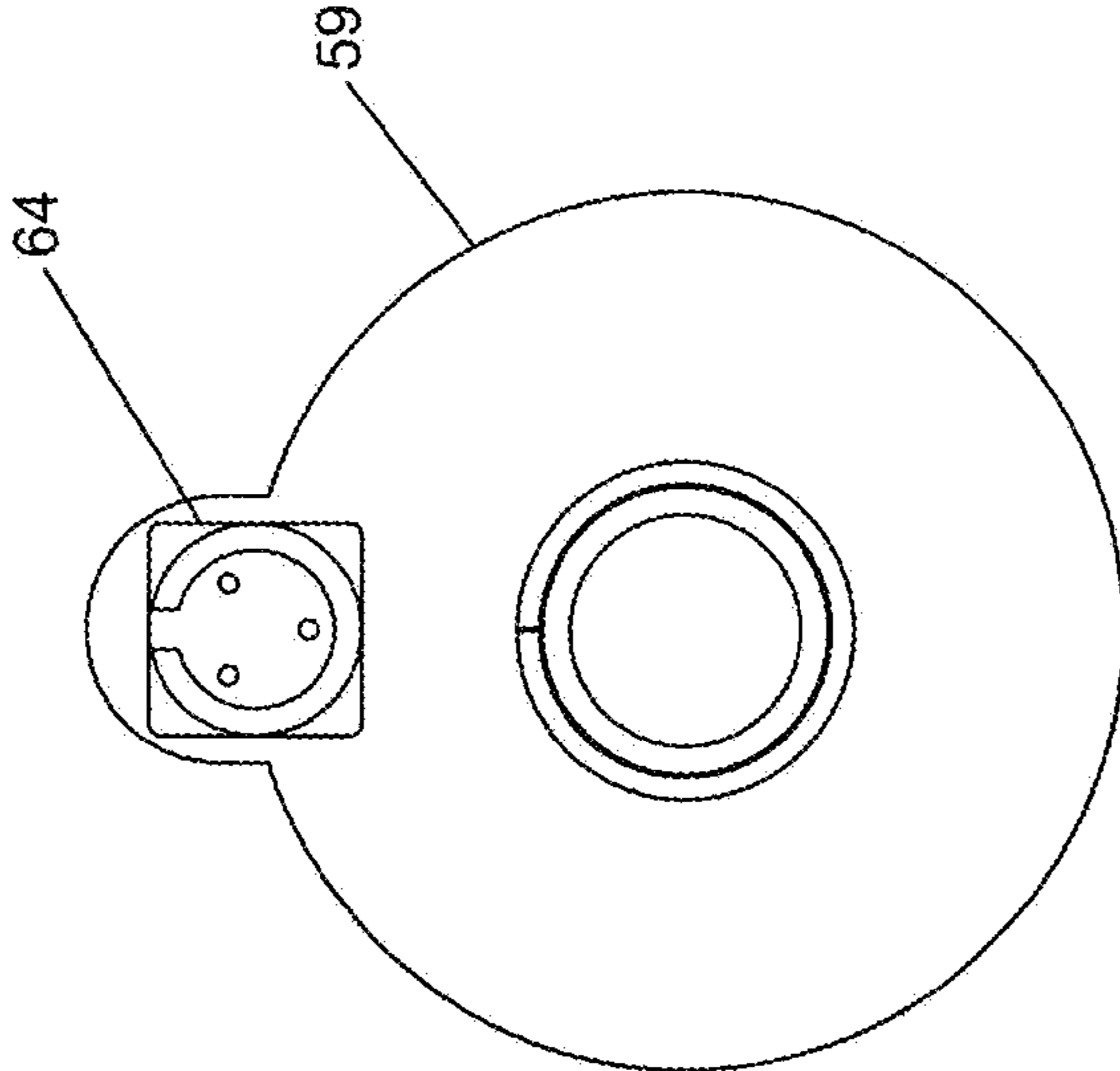


FIG. 3F1

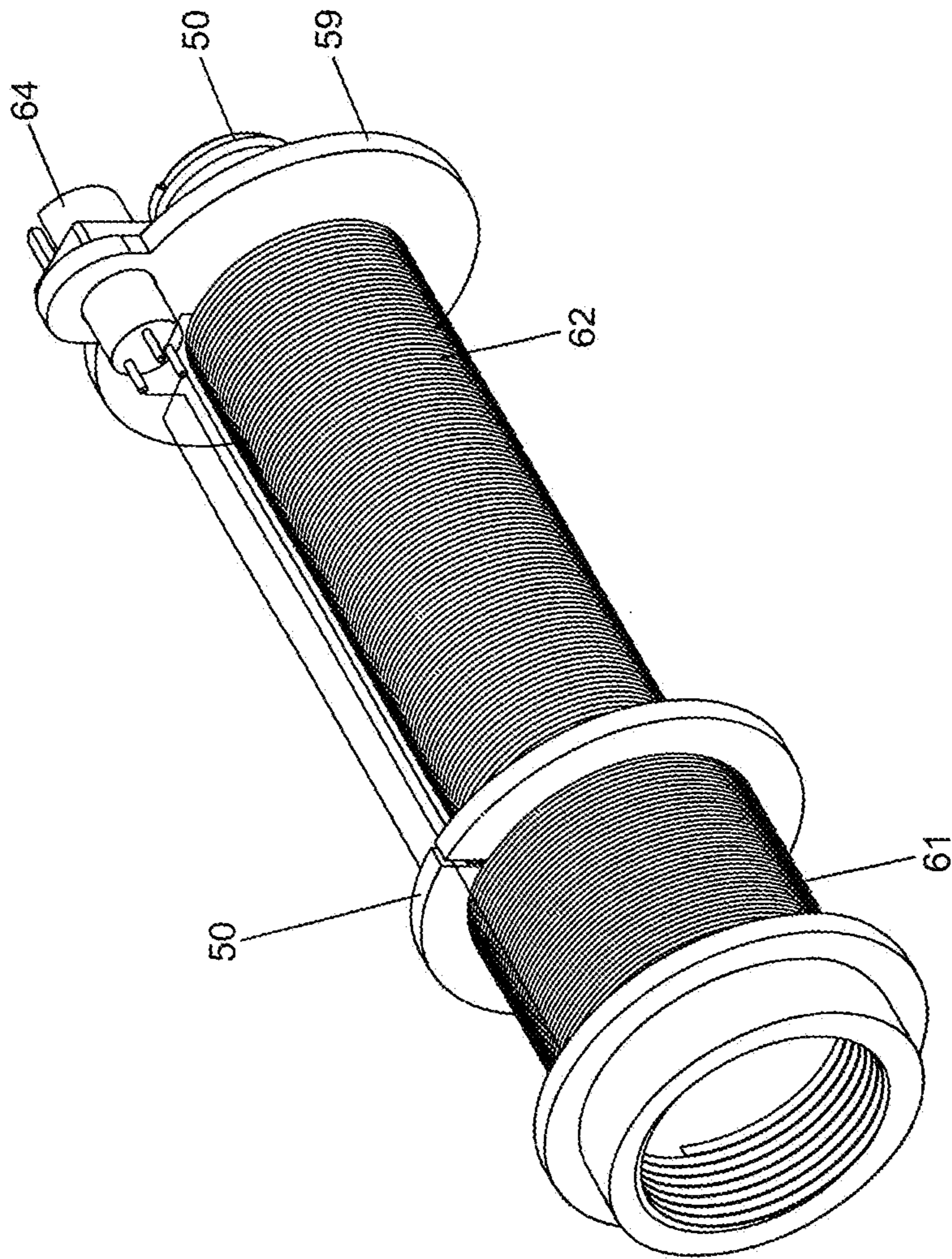


FIG. 3F2

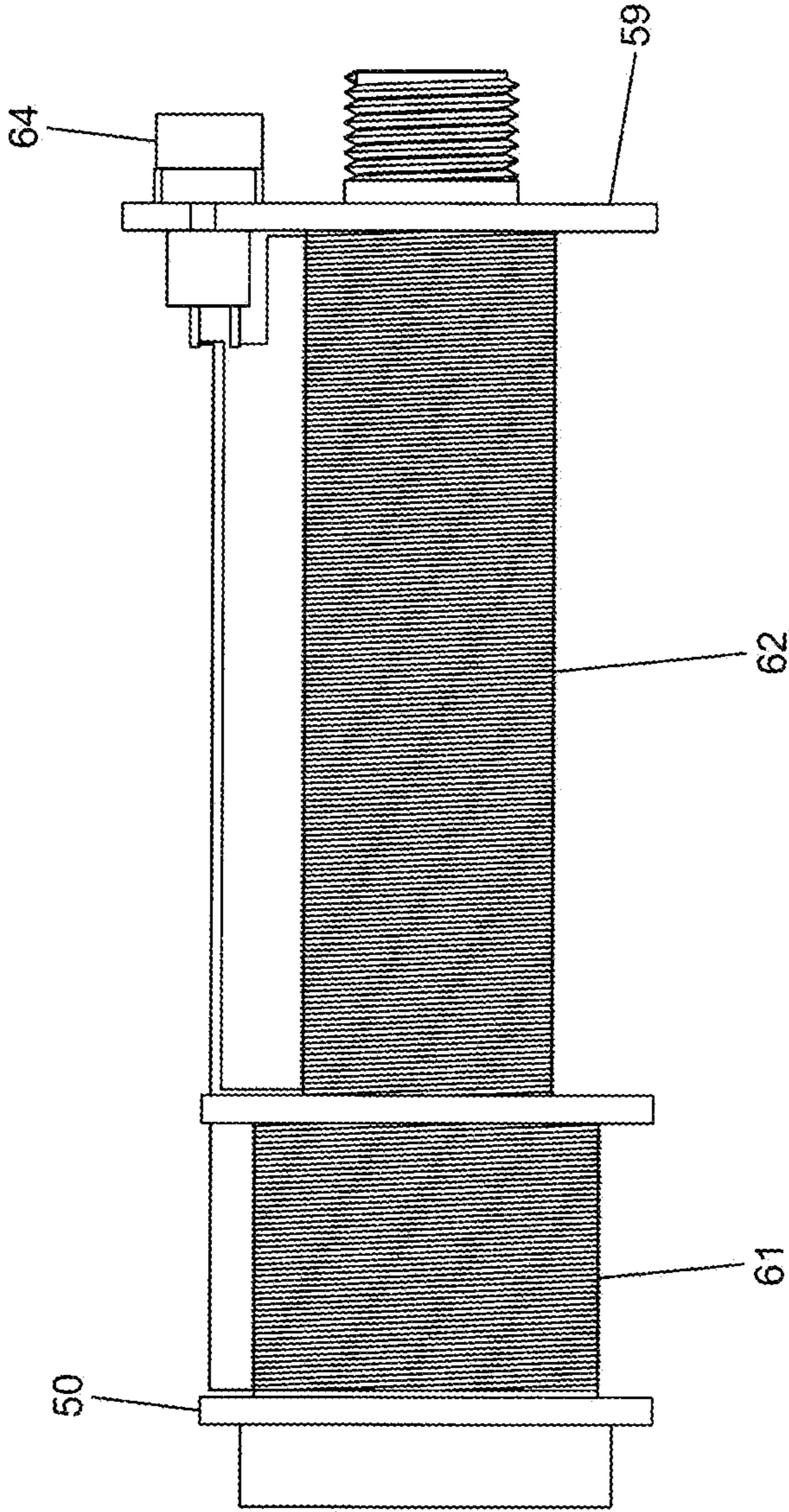


FIG. 3F3

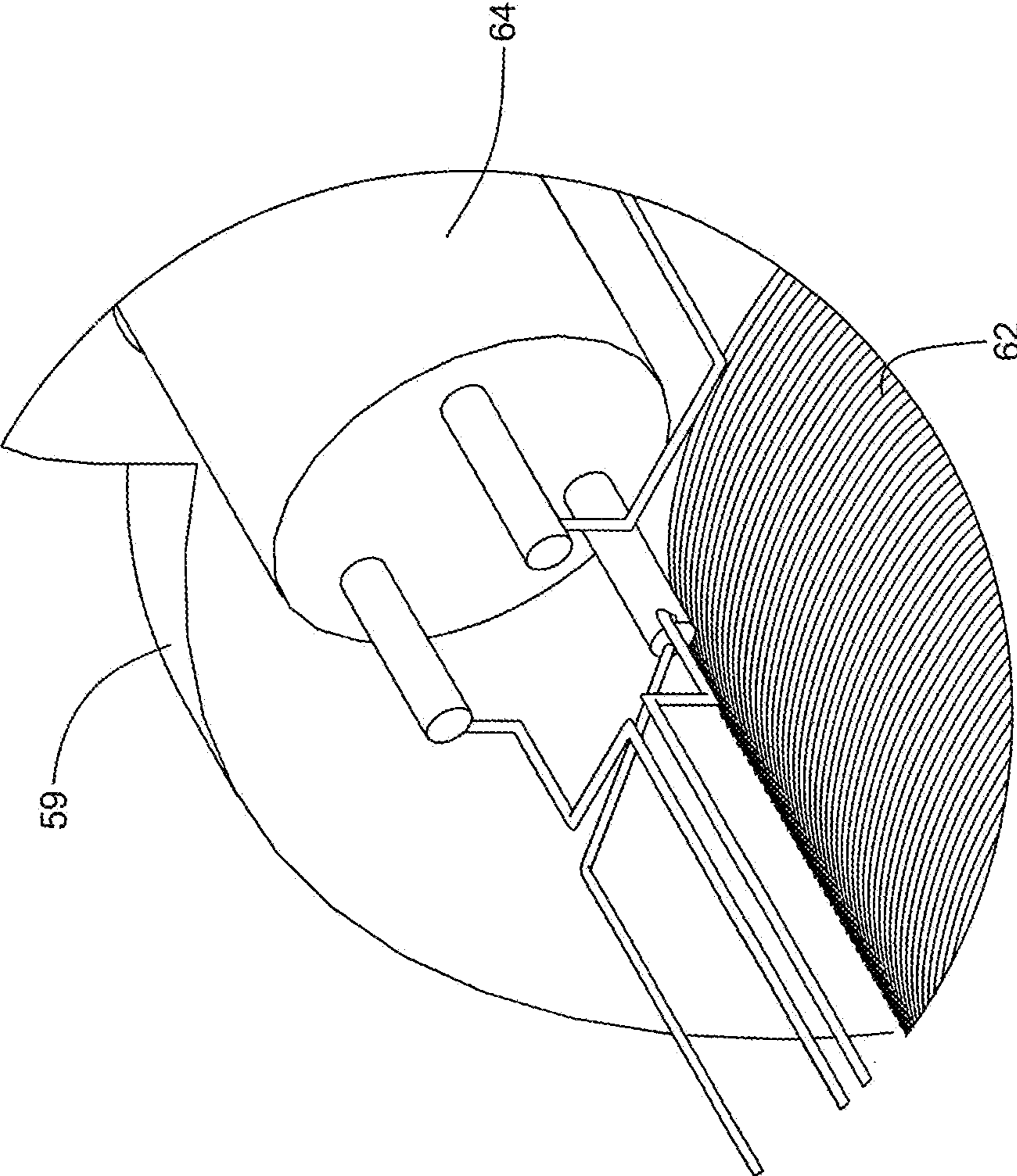
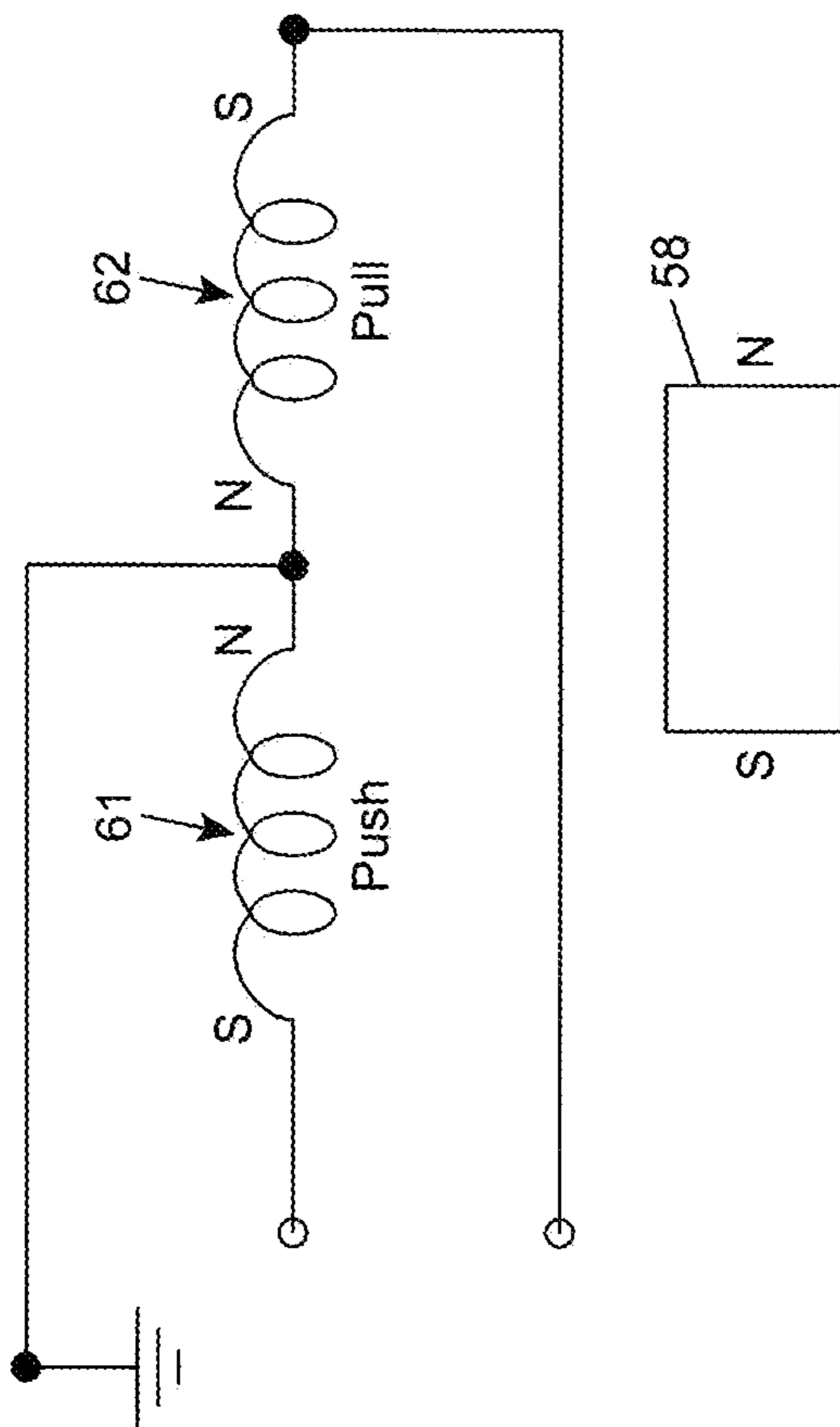


FIG. 3F4

Two Coil Push Pull Type Drive Circuit Diagram



Two Coils with Opposing Polarity, Alternatively Energized

FIG. 3F5

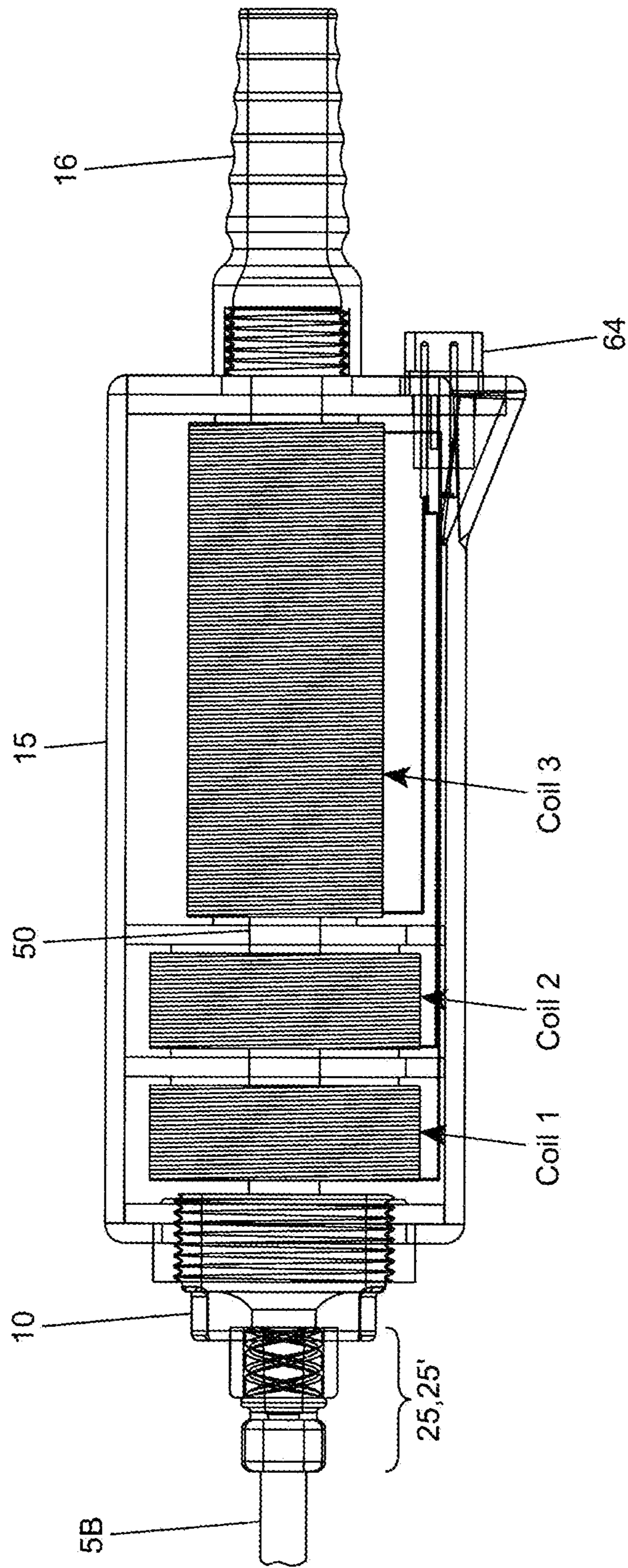


FIG. 3G1

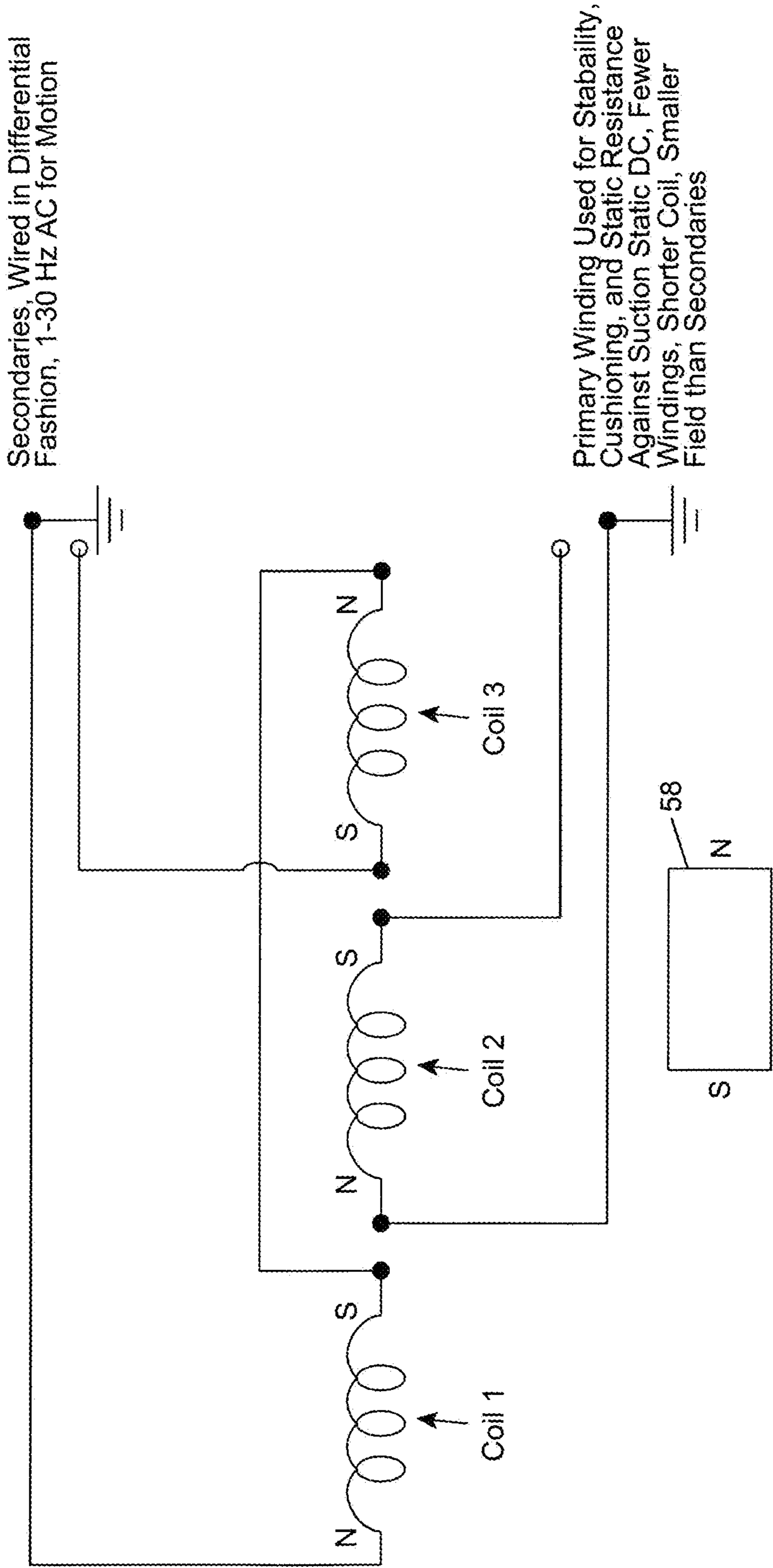


FIG. 3G2

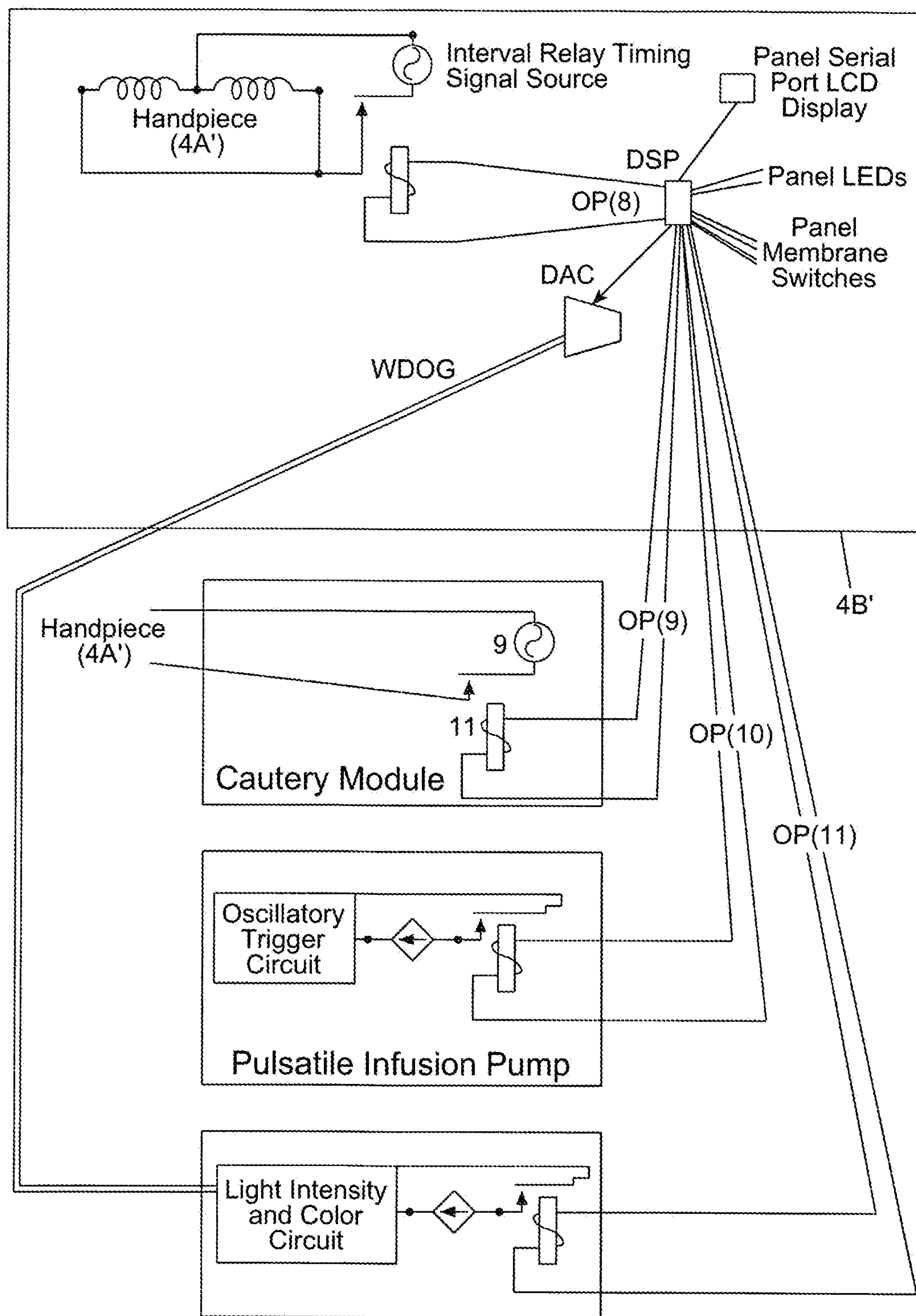


FIG. 3H


```
'enable cautery if appropriate on forward stroke
IF VR(14)=1 THEN
  IF VR(11)=1 THEN
    WDOG=ON 'close cautery relay
  ELSE
    WDOG=OFF 'open cautery relay
  ENDIF
ENDIF
ENDIF
```

VR(14) Doc enabled cautery by
pushing console button

VR(11) Cannula is not in the same
position on this loop (2ms later) as
last time

FIG. 3I

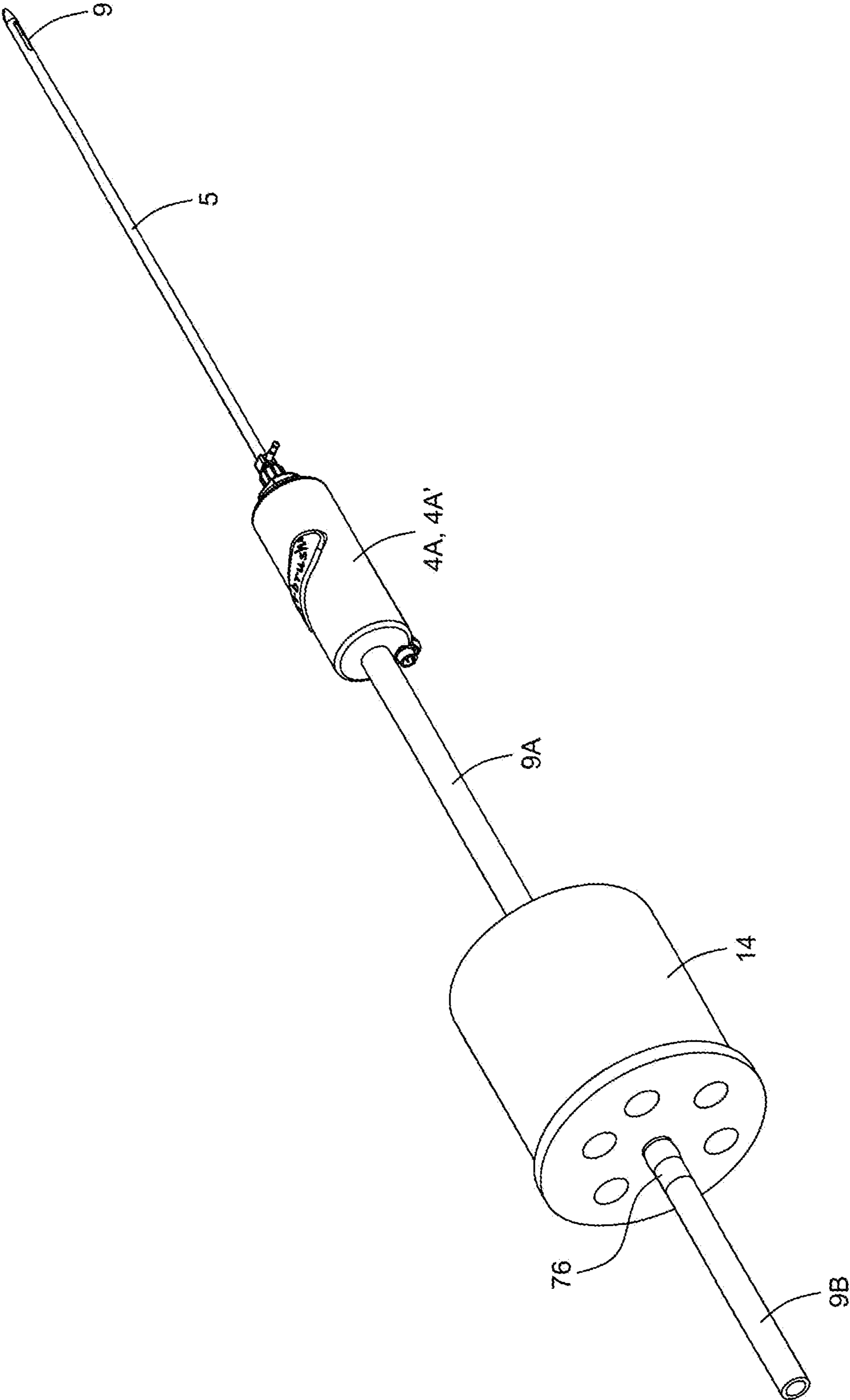


FIG. 4

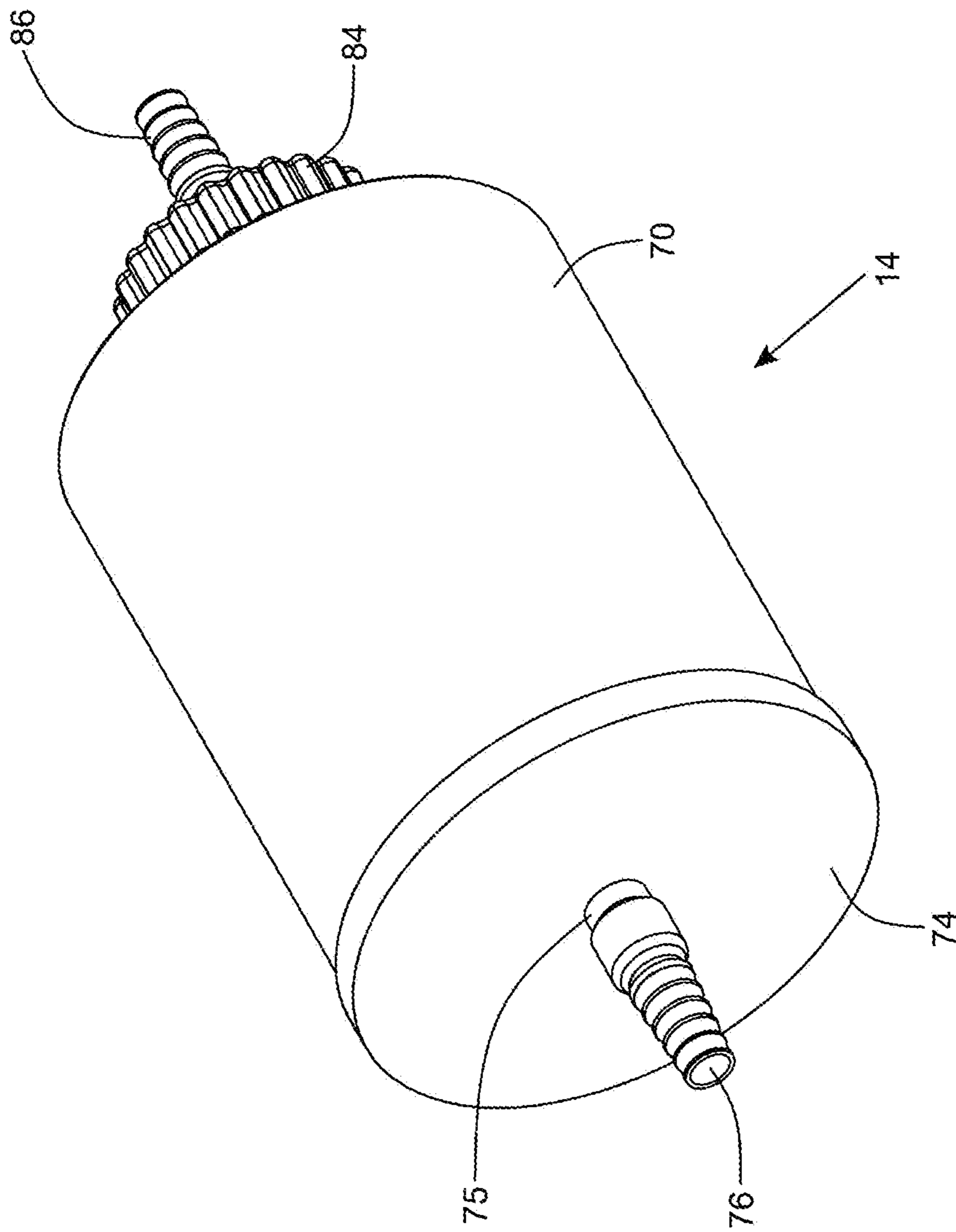


FIG. 4A

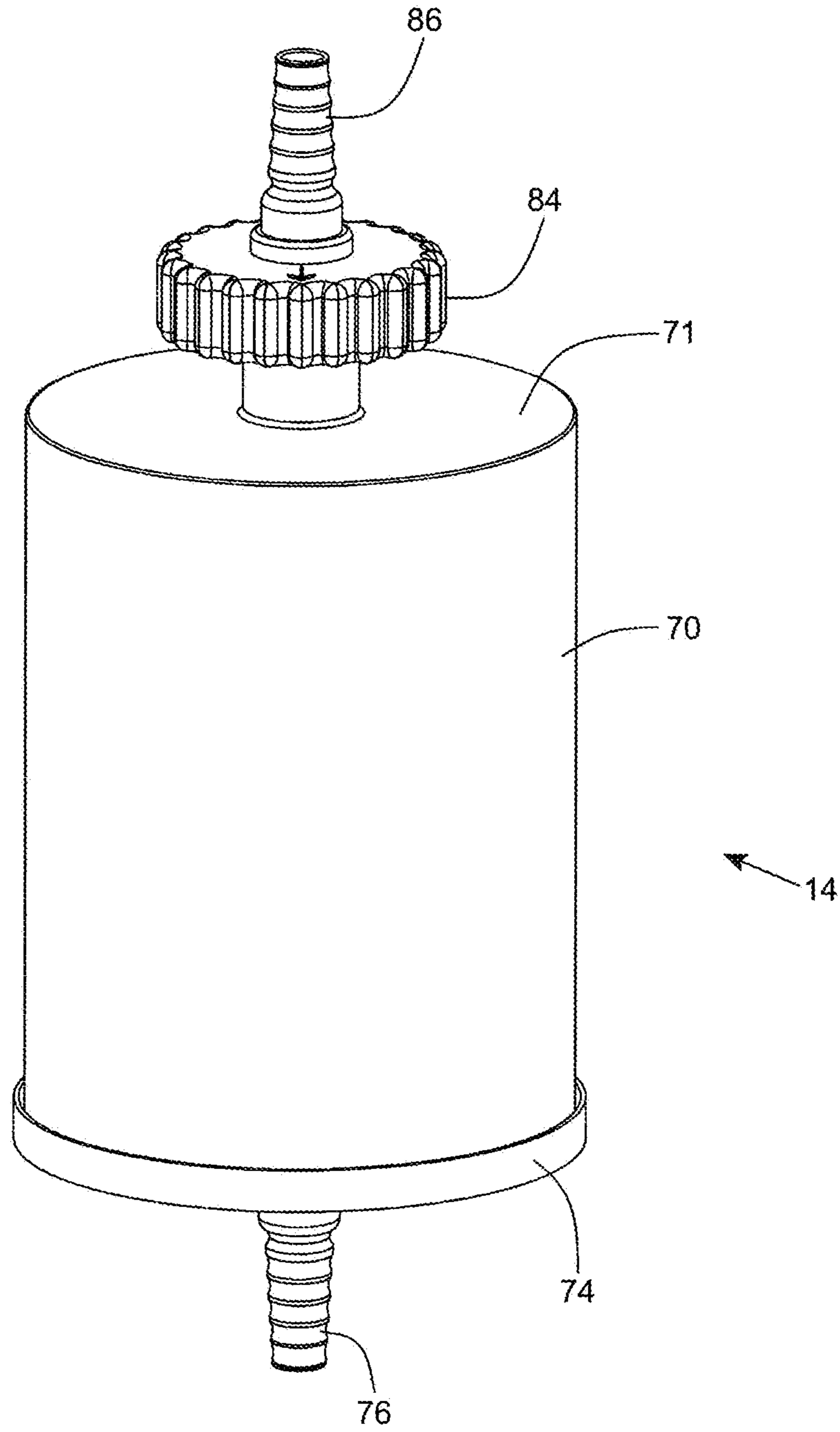


FIG. 4B

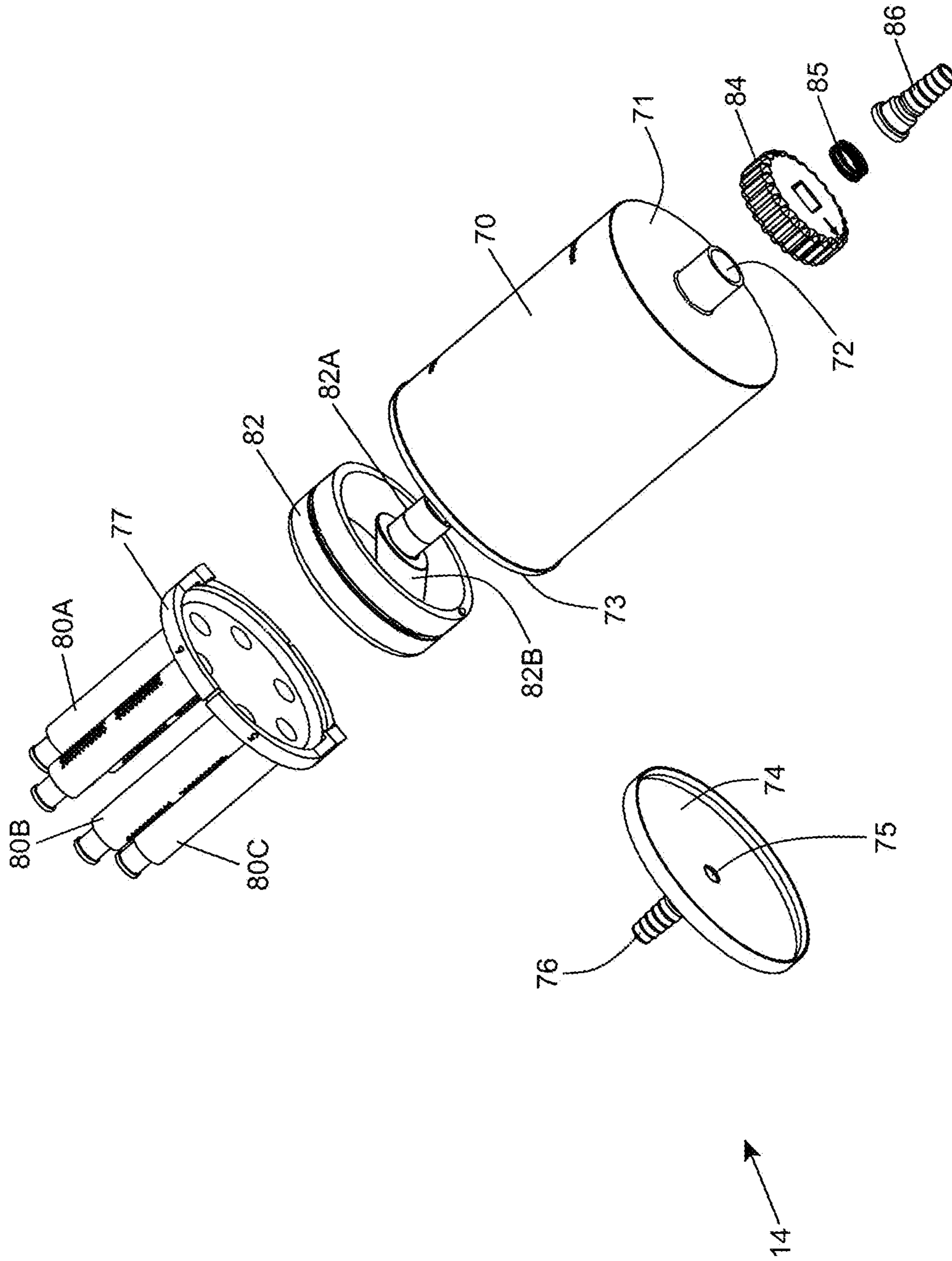


FIG. 4C

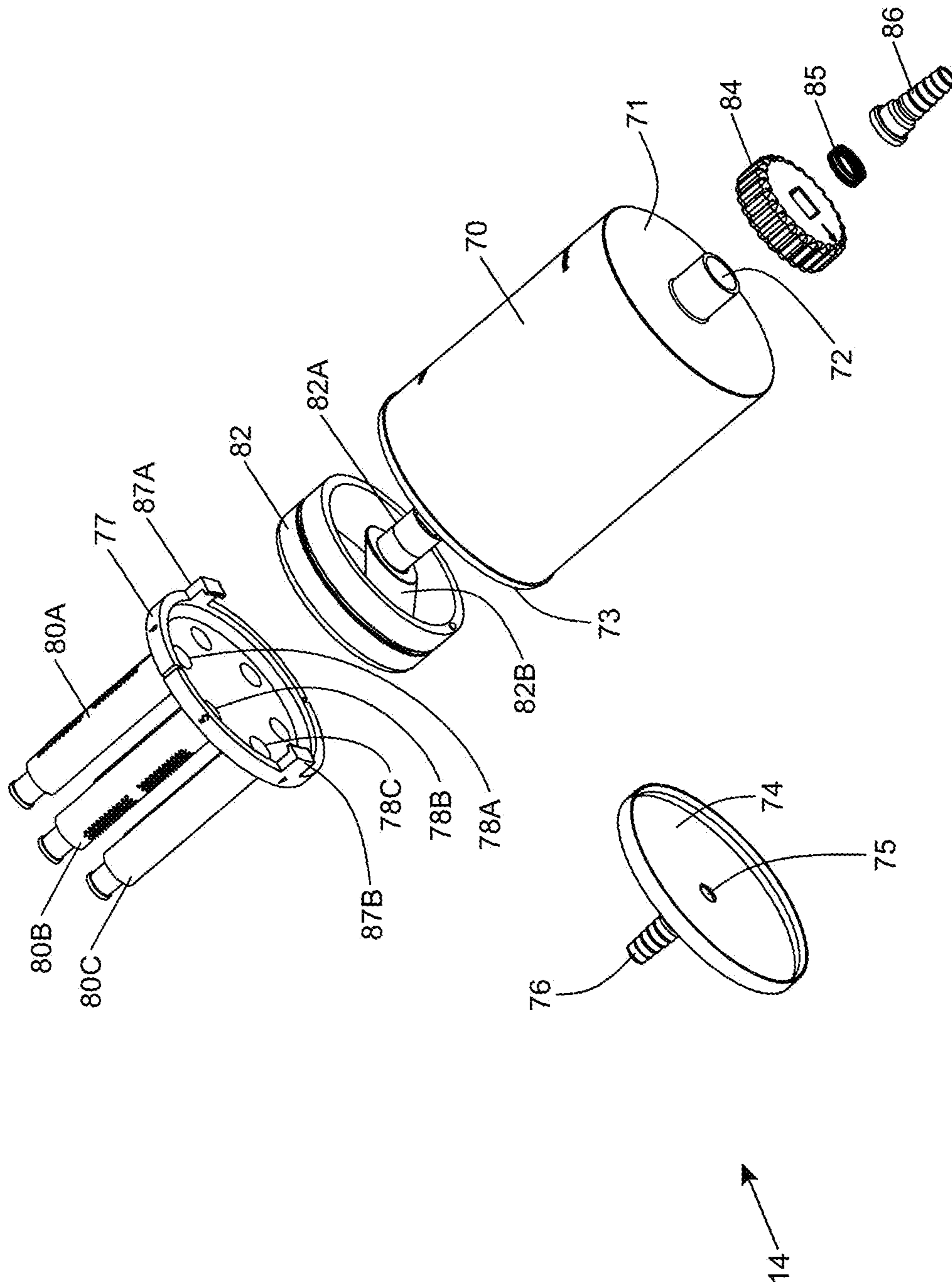


FIG. 4D

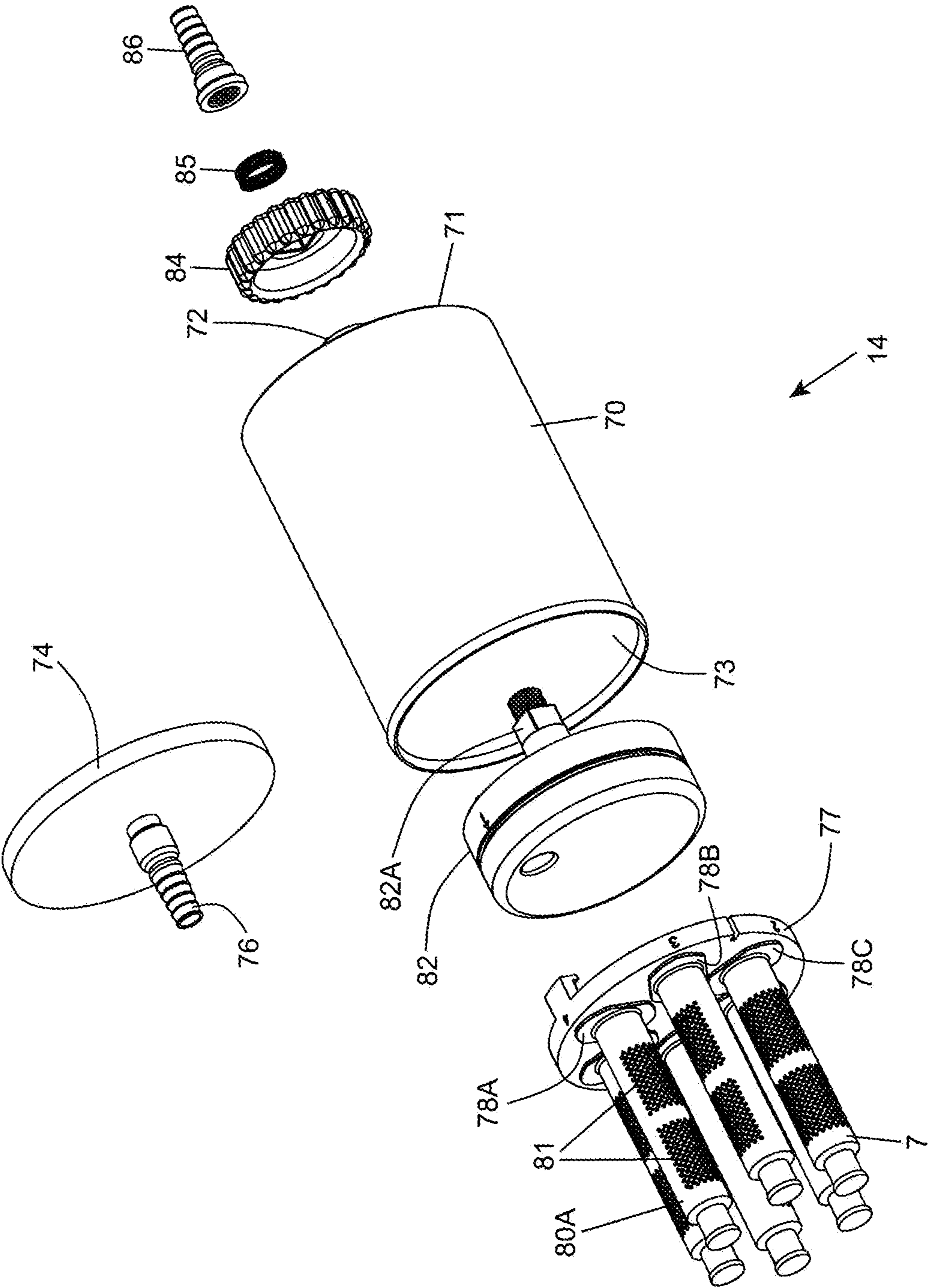


FIG. 4E

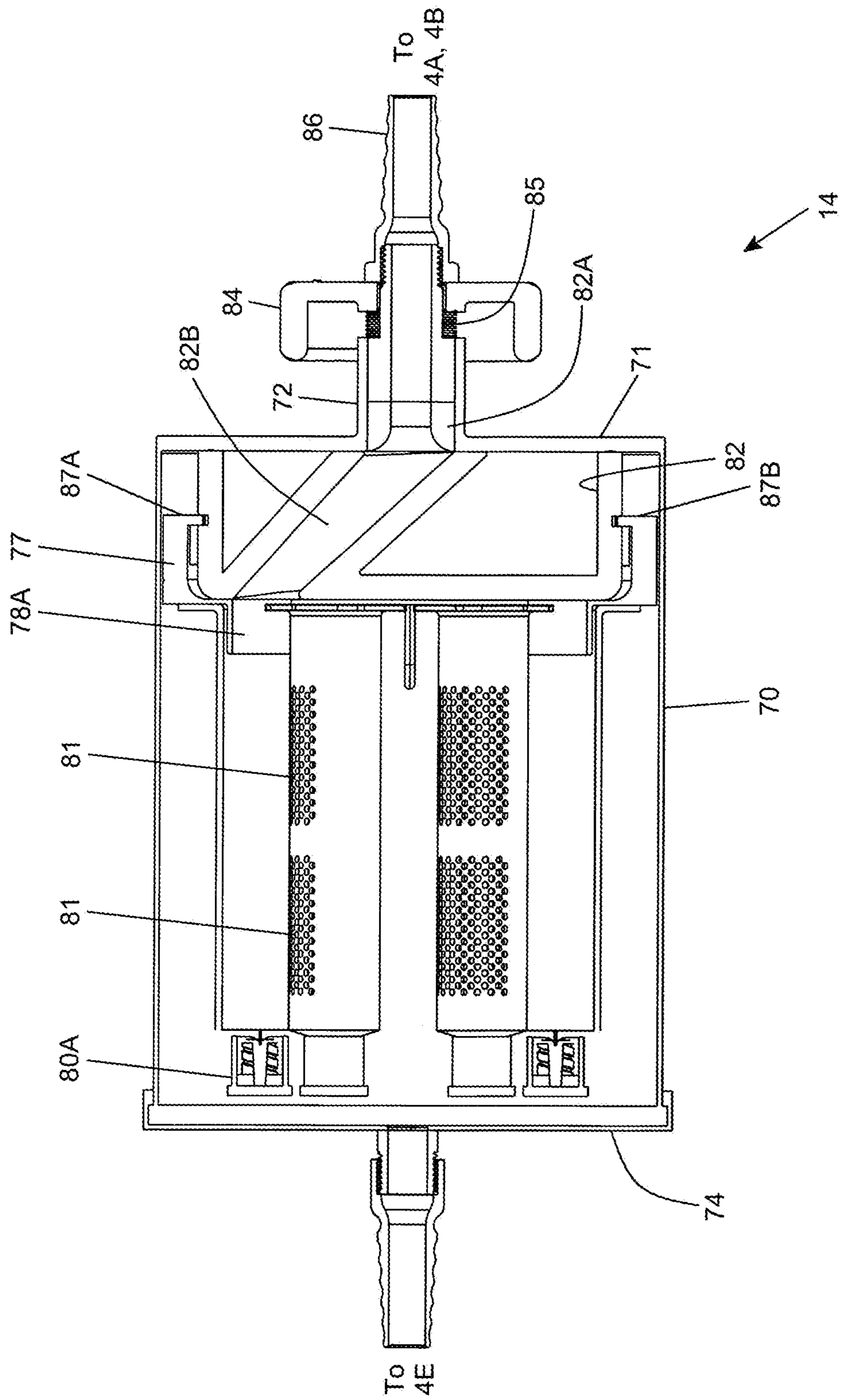


FIG. 4F1

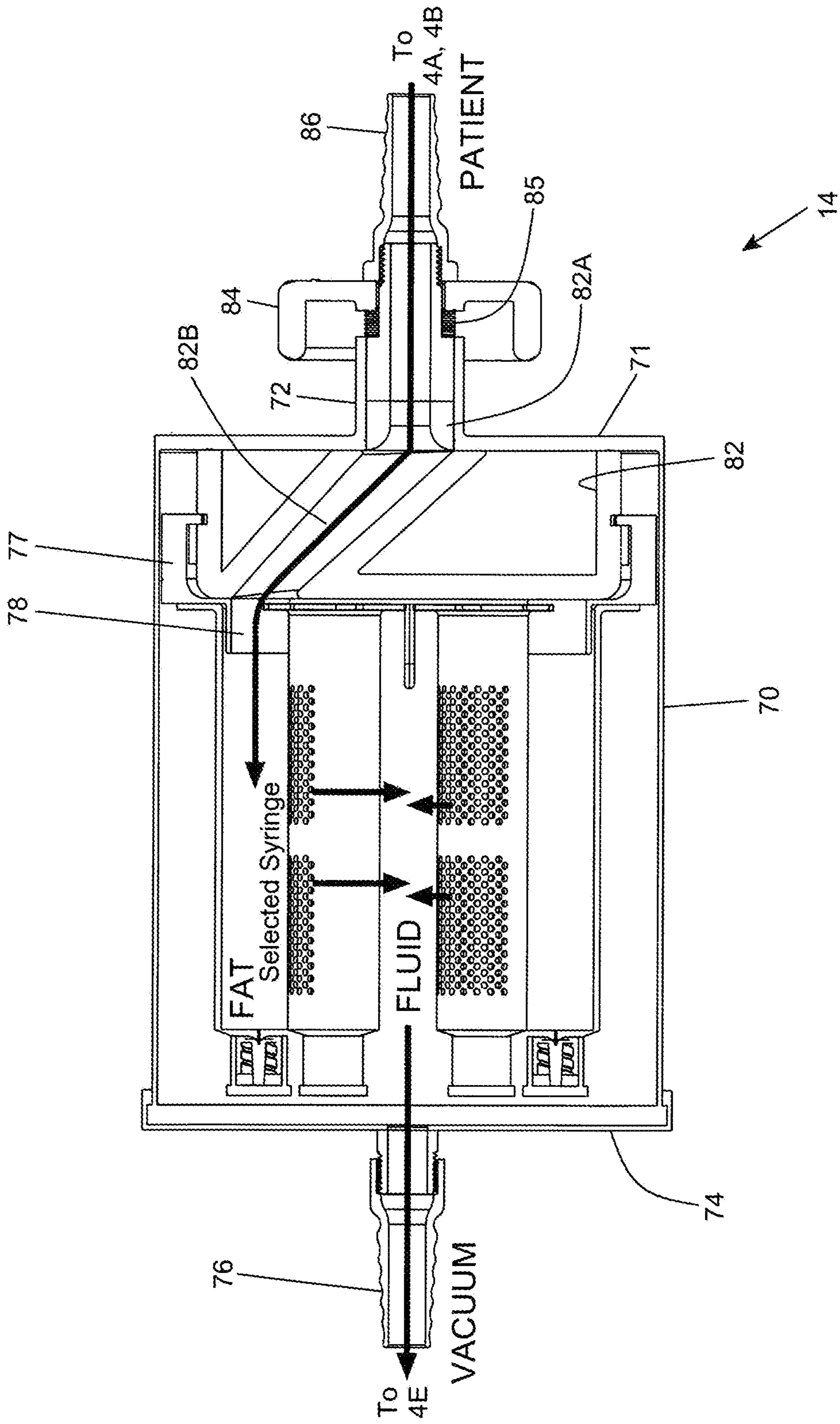


FIG. 4F2

Removing Collected Fat Samples

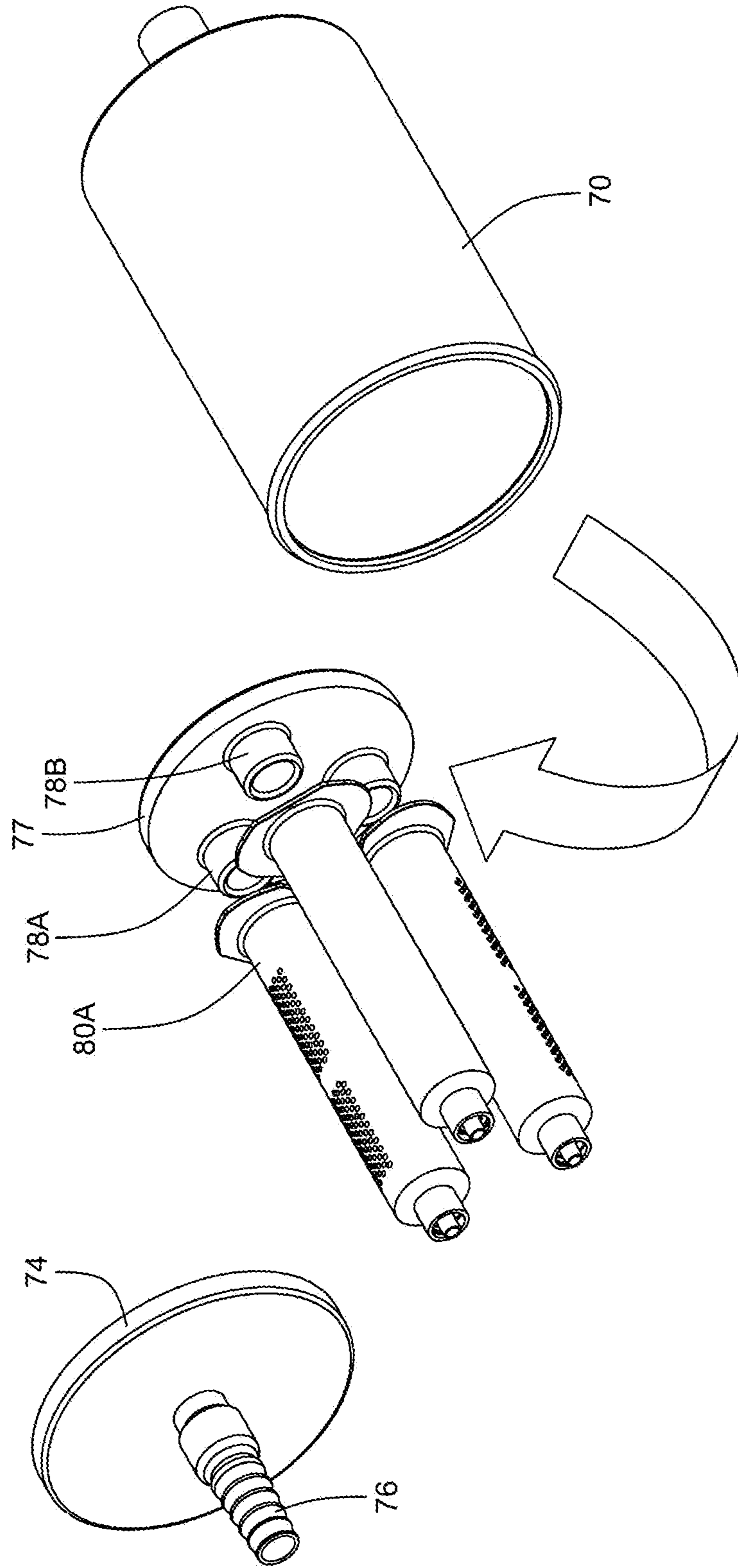


FIG. 4G

Exjecting Fat Samples From Collection Cartridges

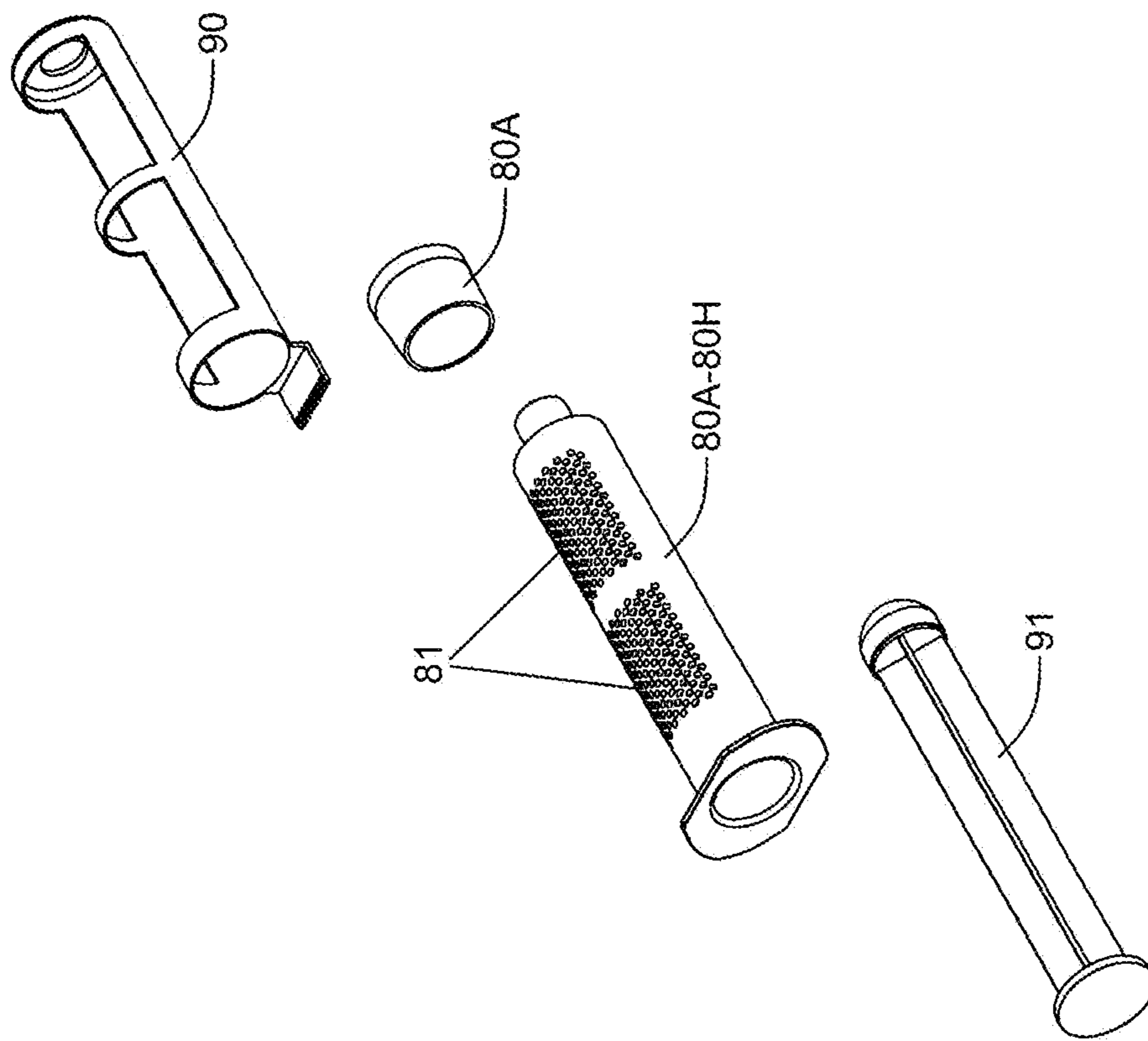


FIG. 4H

Sliding Occluder Down Barrel to Rotate to Cover Holes

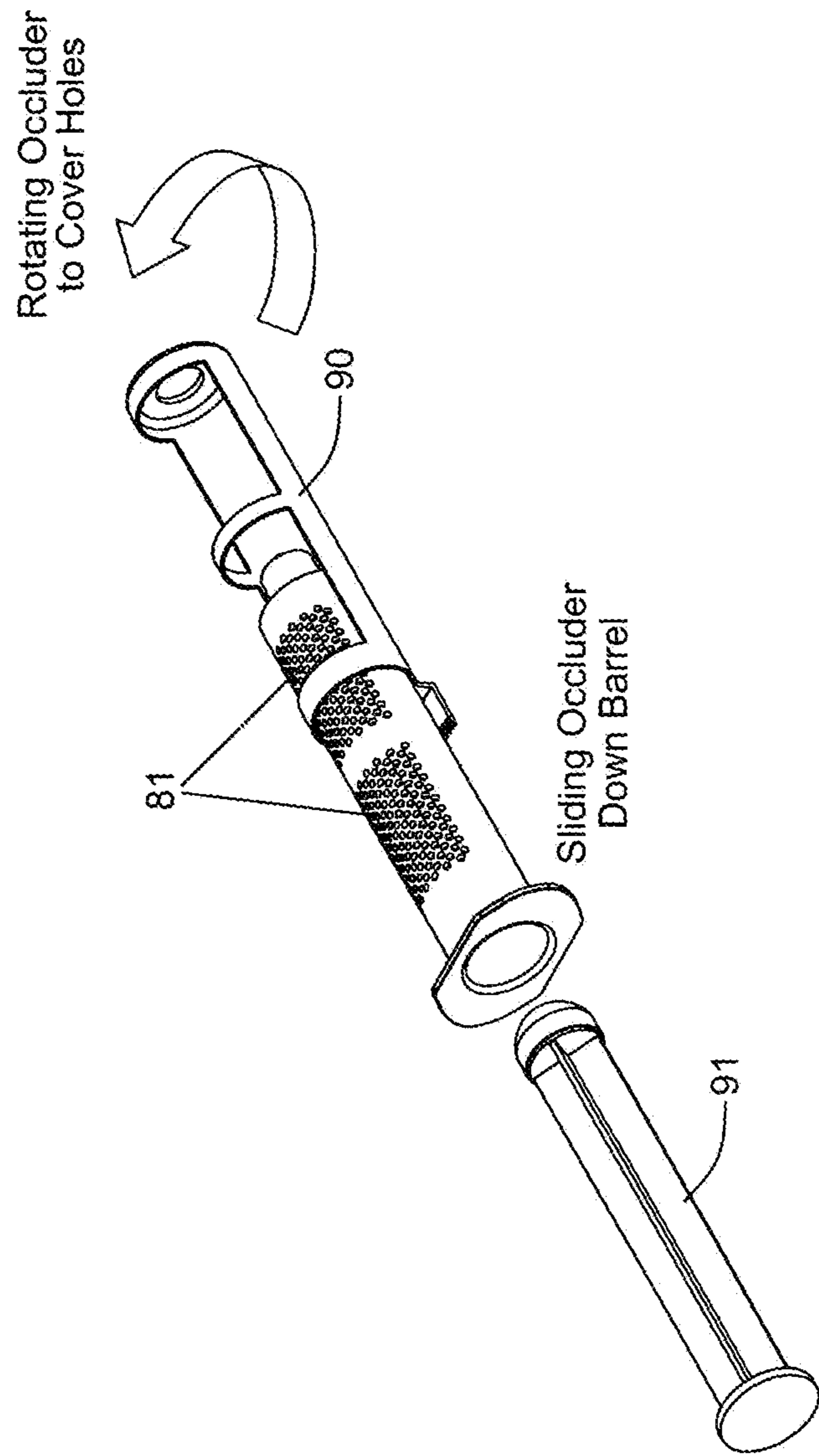


FIG. 4I1

Holes Occluded (For Ejecting Sample)

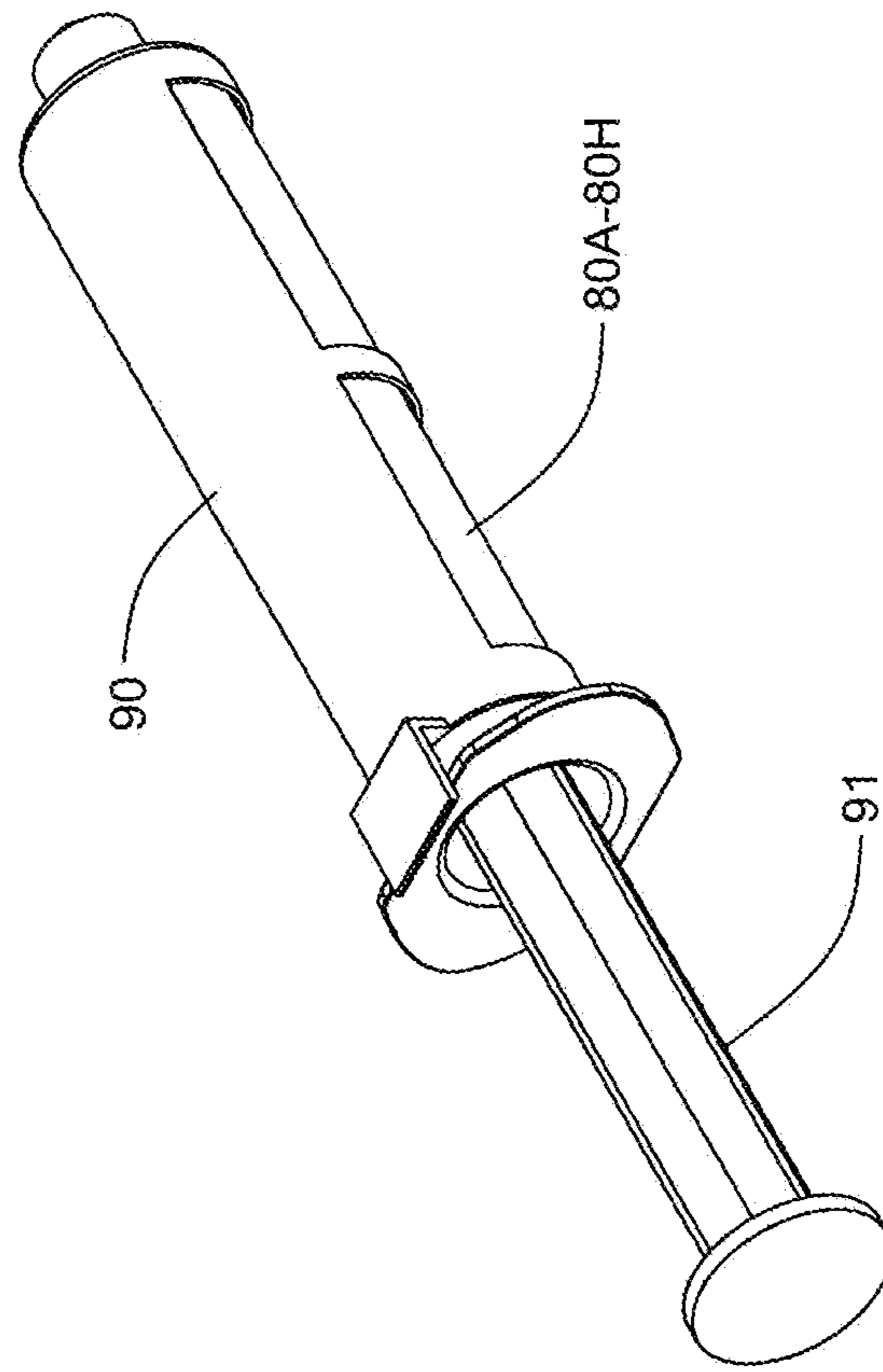


FIG. 4I2

Increased Negative Feedback Effect of Hypertrophic Visceral Fat Cells
-- Prior To Treatment Using The Method of The Present Invention

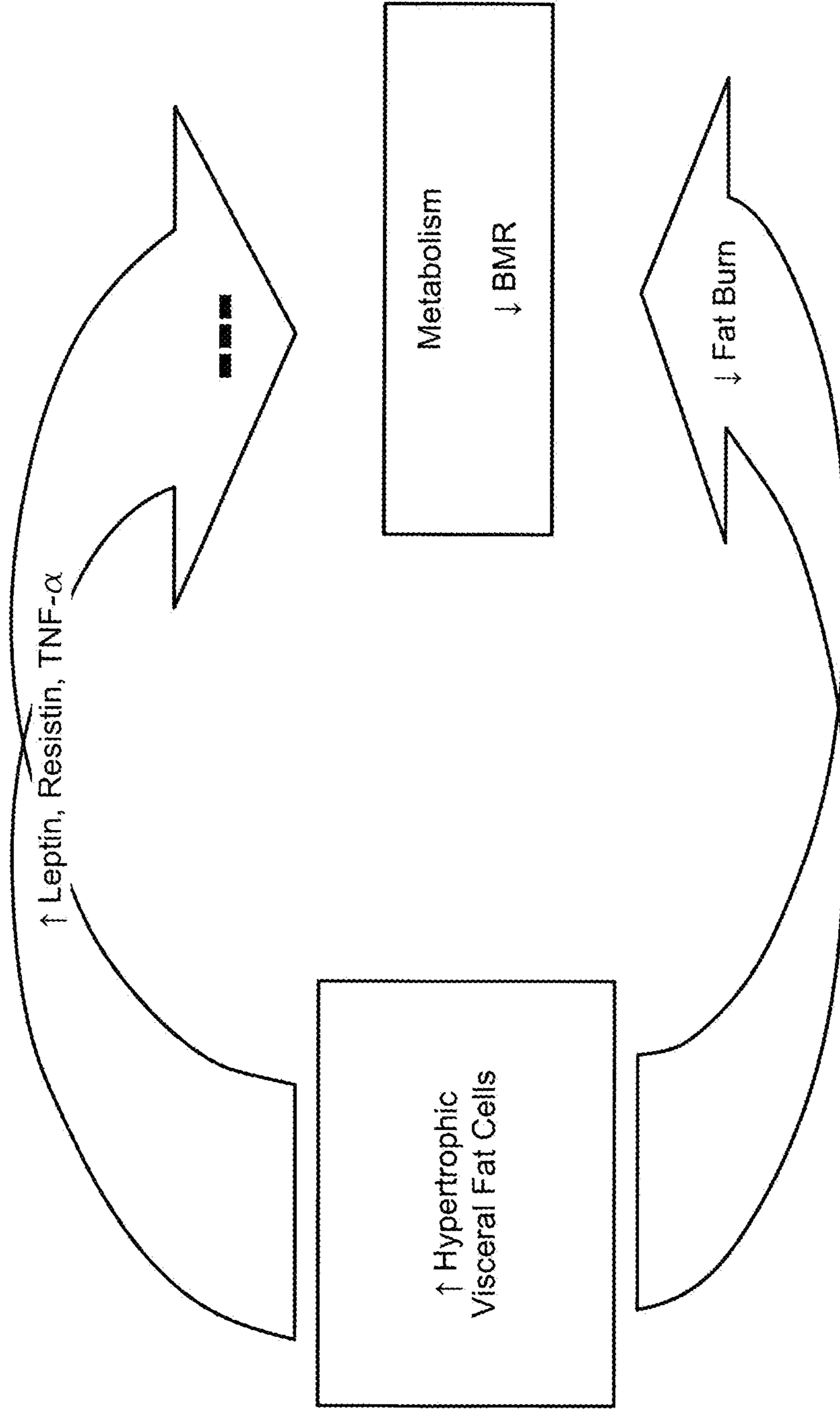


FIG. 5A

Pre-treatment Decreased Secretion of Cytokines favoring Insulin Sensitivity by Hypertrophic Fat Cells
-- Prior To Treatment Using The Method of The Present Invention

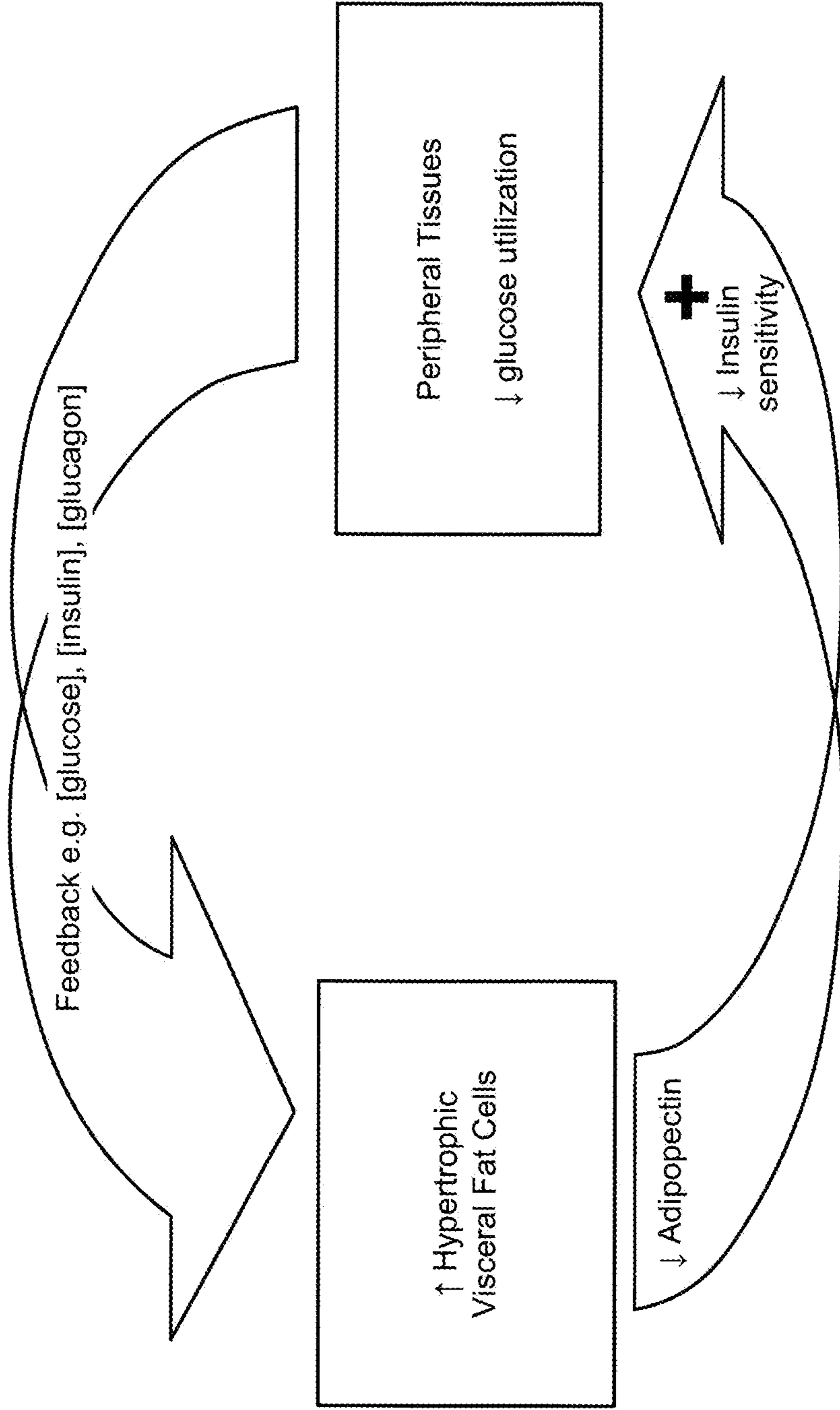


FIG. 5B

Reduction of the Number of Hypertrophic Fat Cells and their Harmful Secretions with Favorable Impact on Energy Hemostasis -- After Treatment Using The Method of The Present Invention

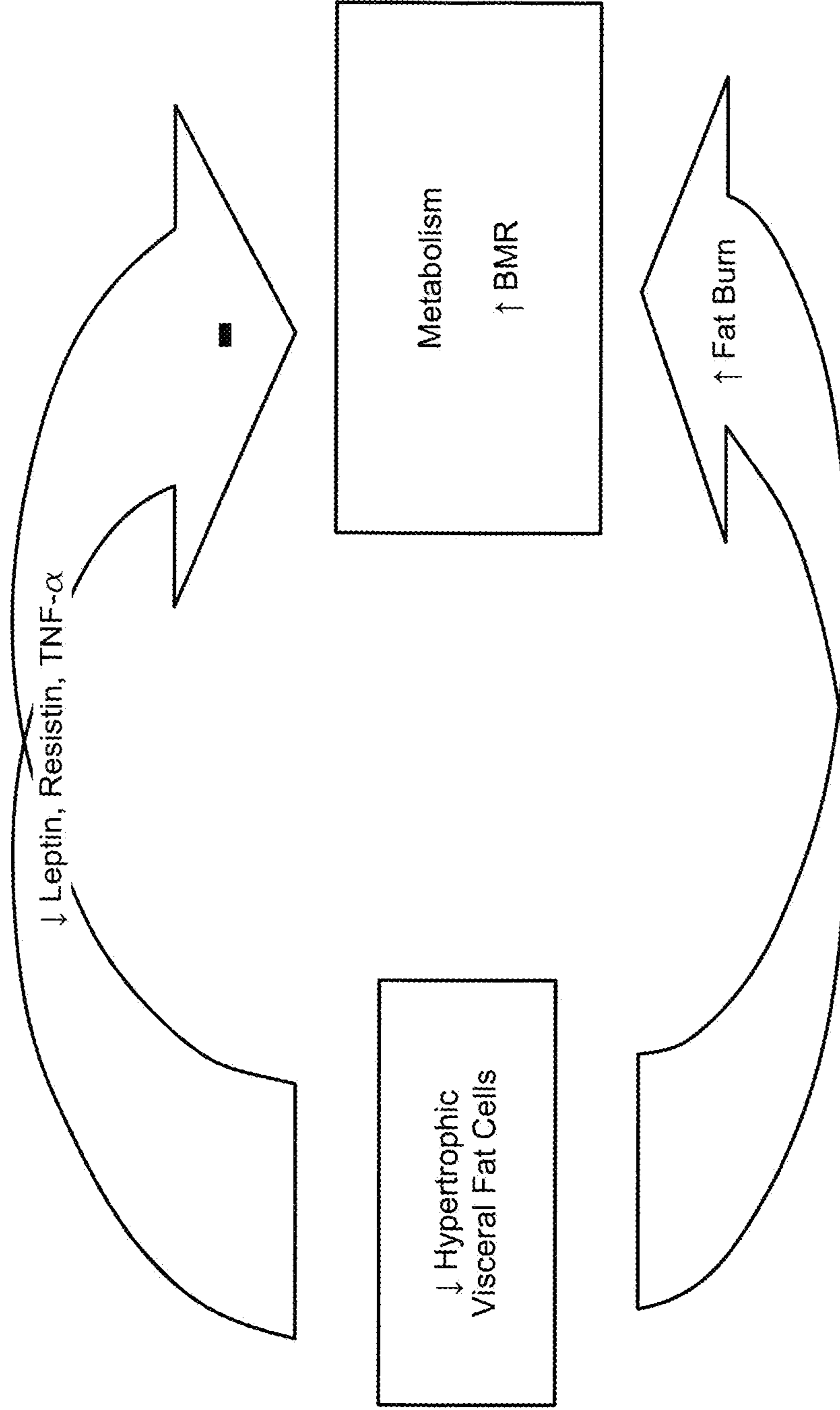


FIG. 5C

Increased Circulating Adipopectin from Remaining Non-Hypertrophic Fat Cells
-- After Treatment Using The Method of The Present Invention

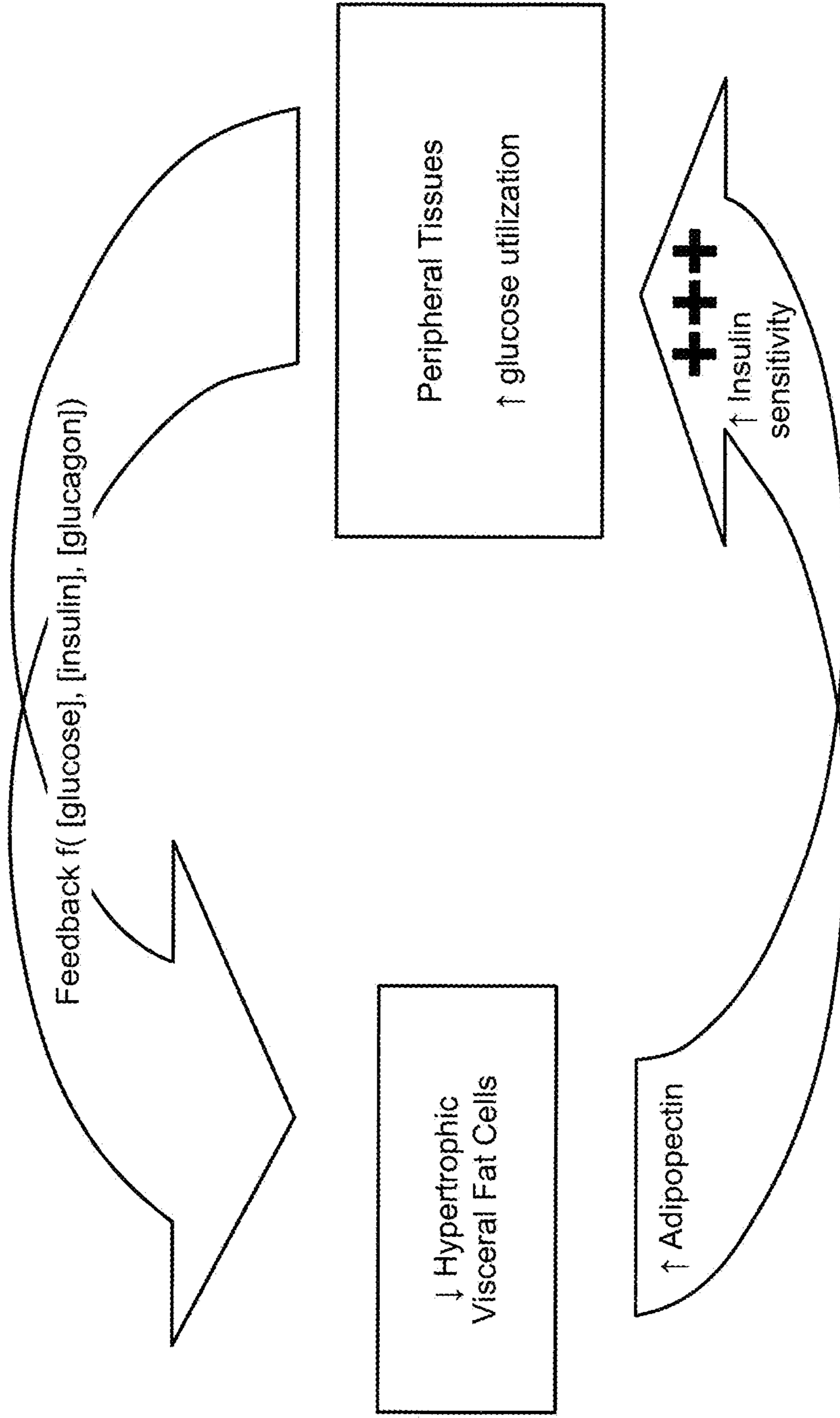


FIG. 5D

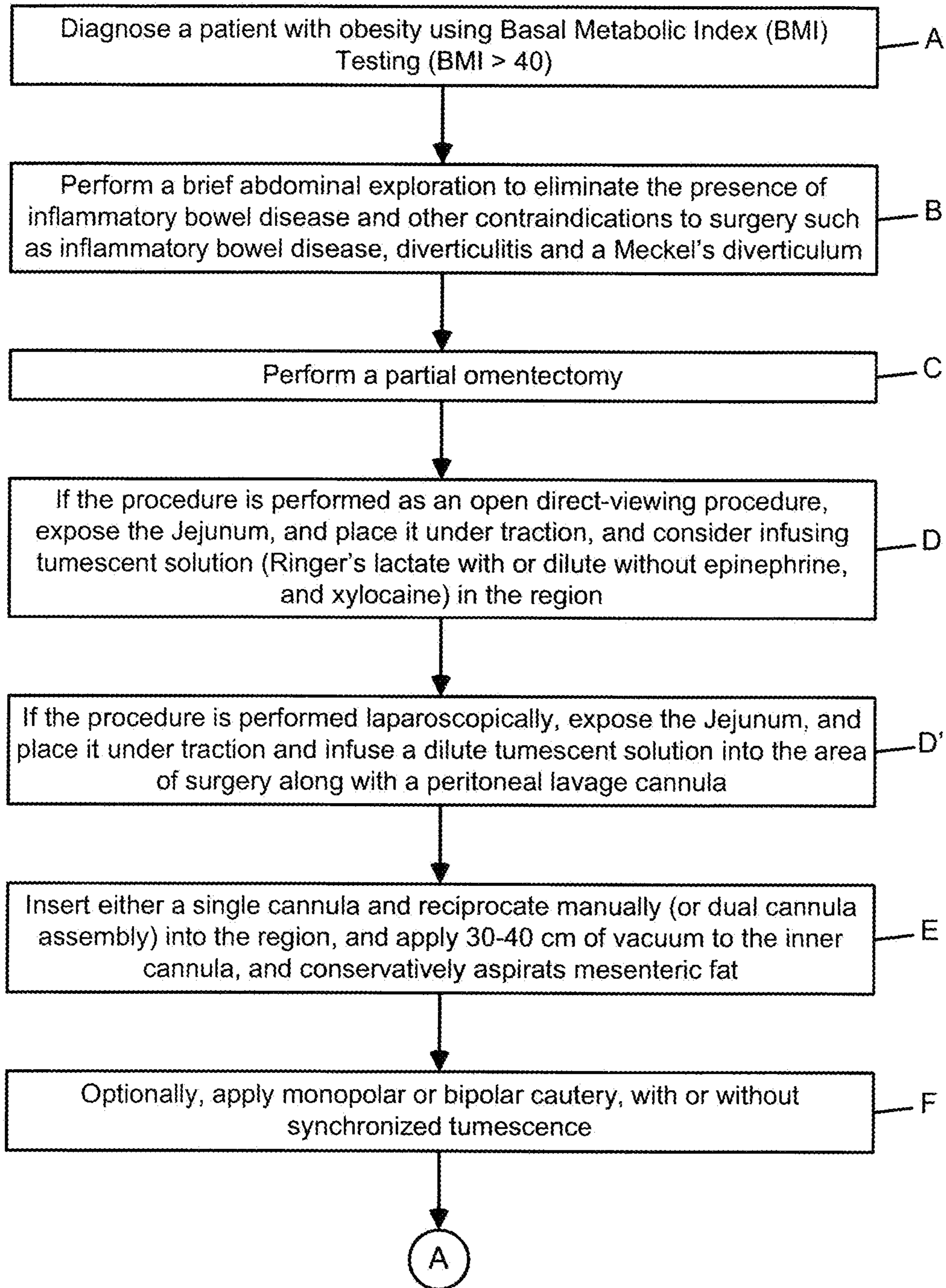


FIG. 6A

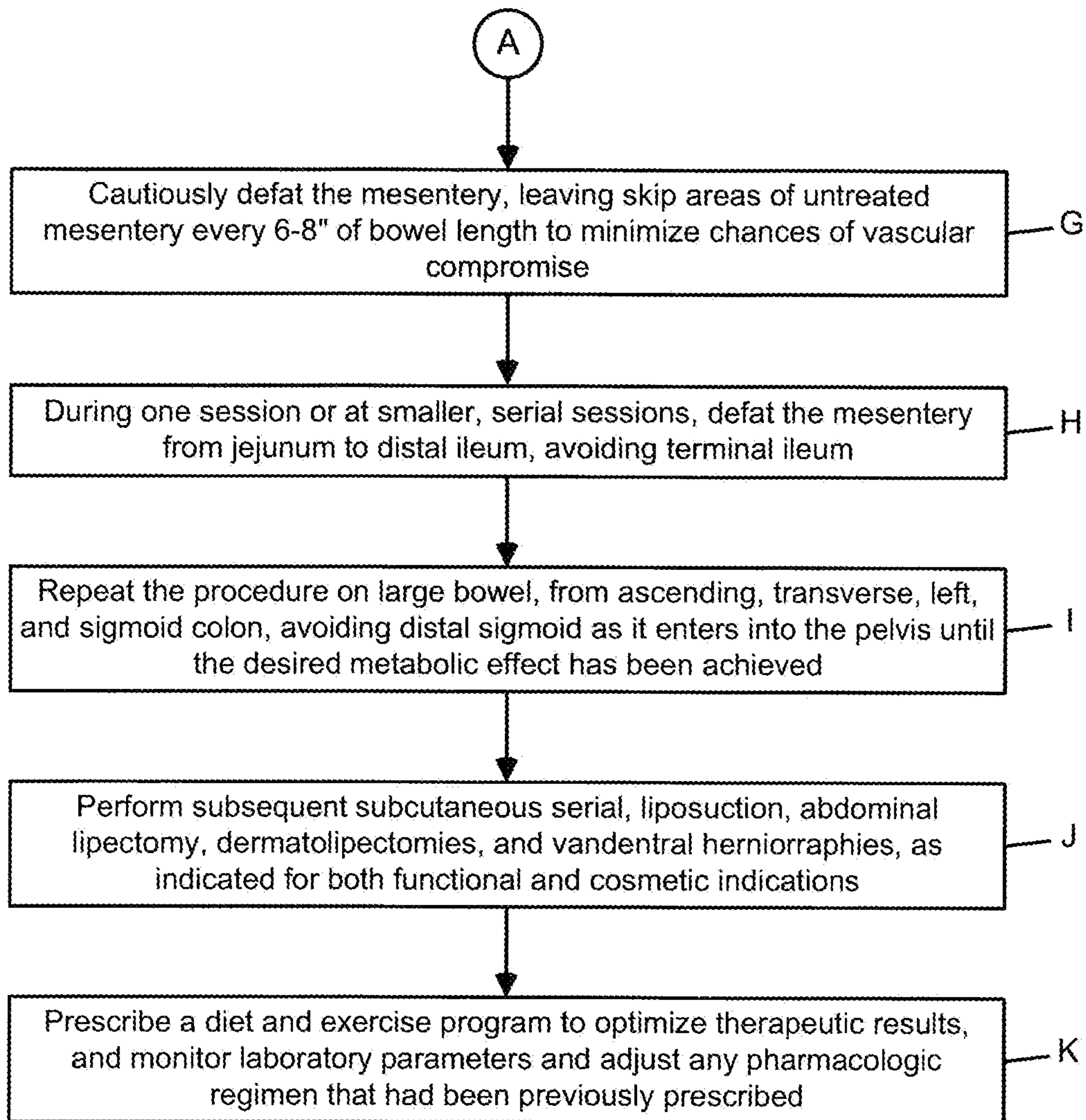


FIG. 6B

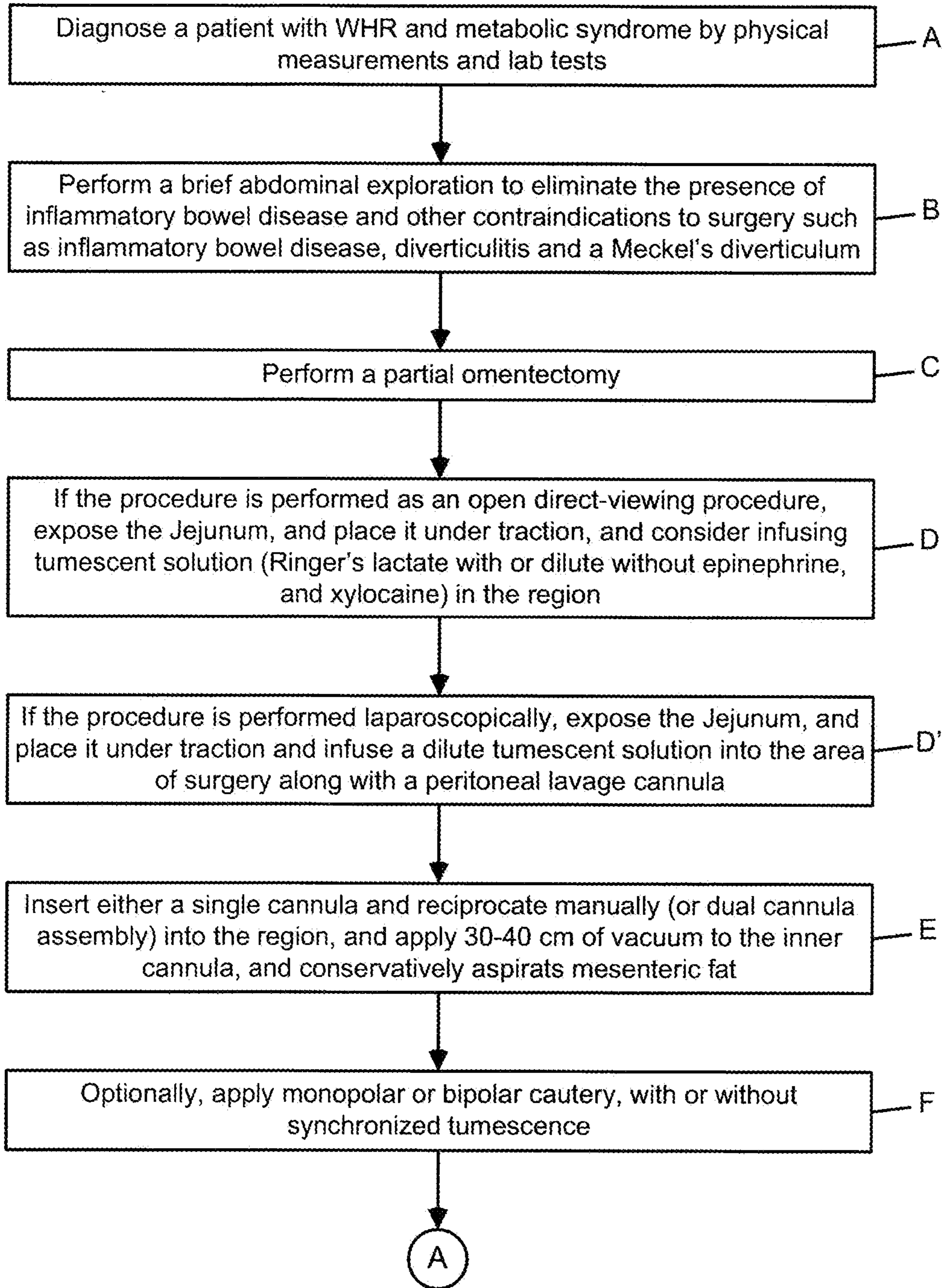


FIG. 7A

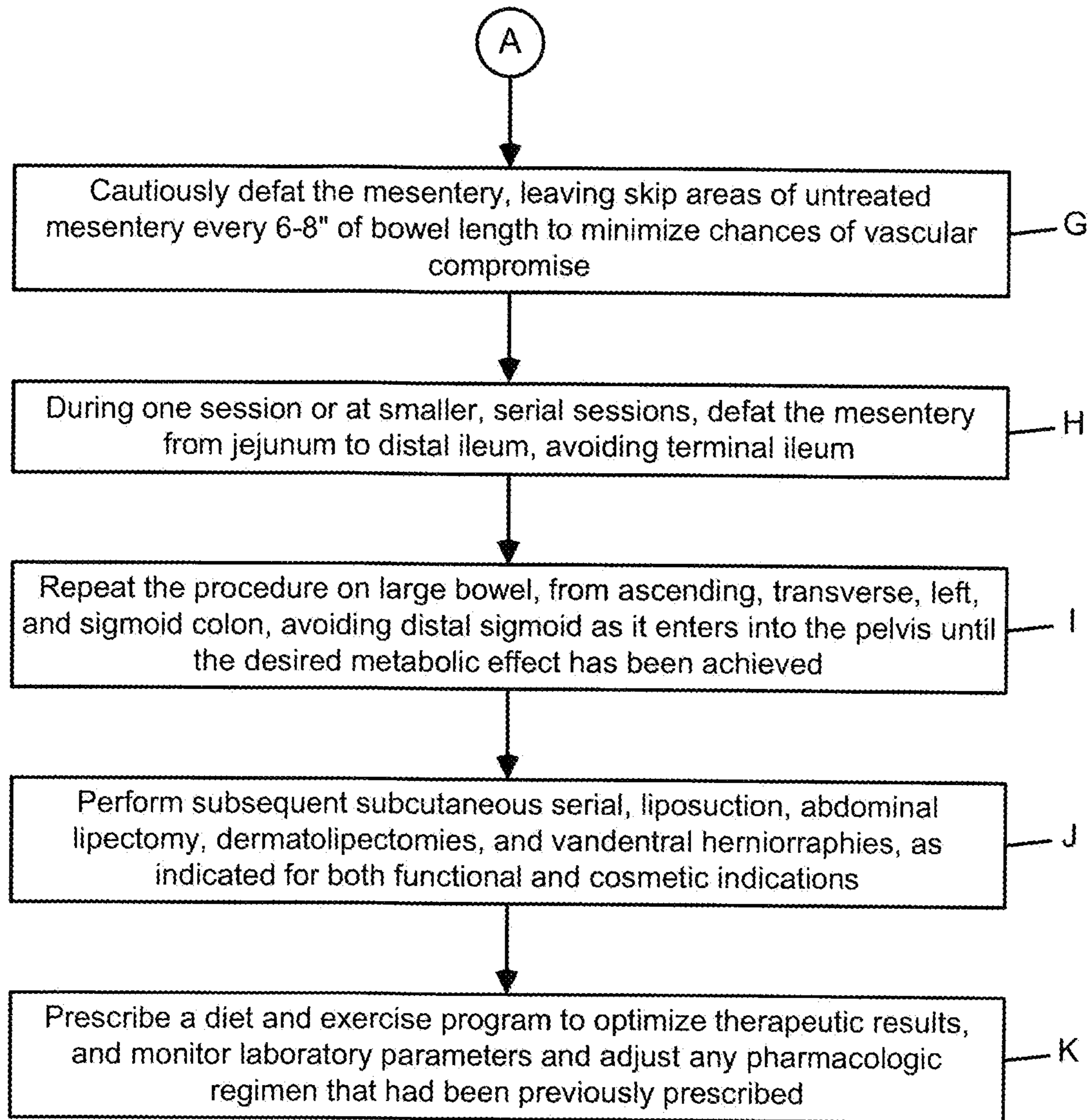


FIG. 7B

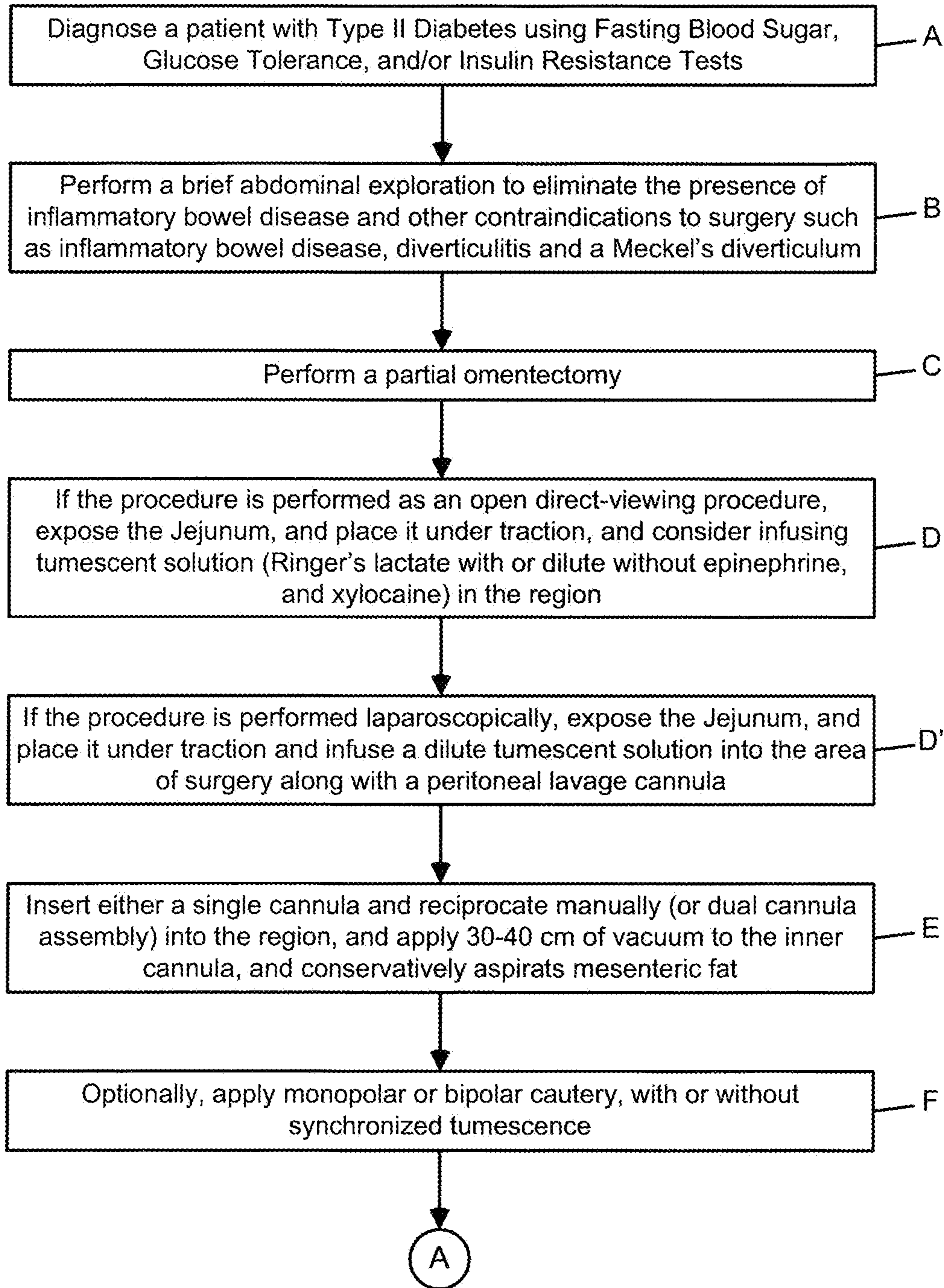


FIG. 8A

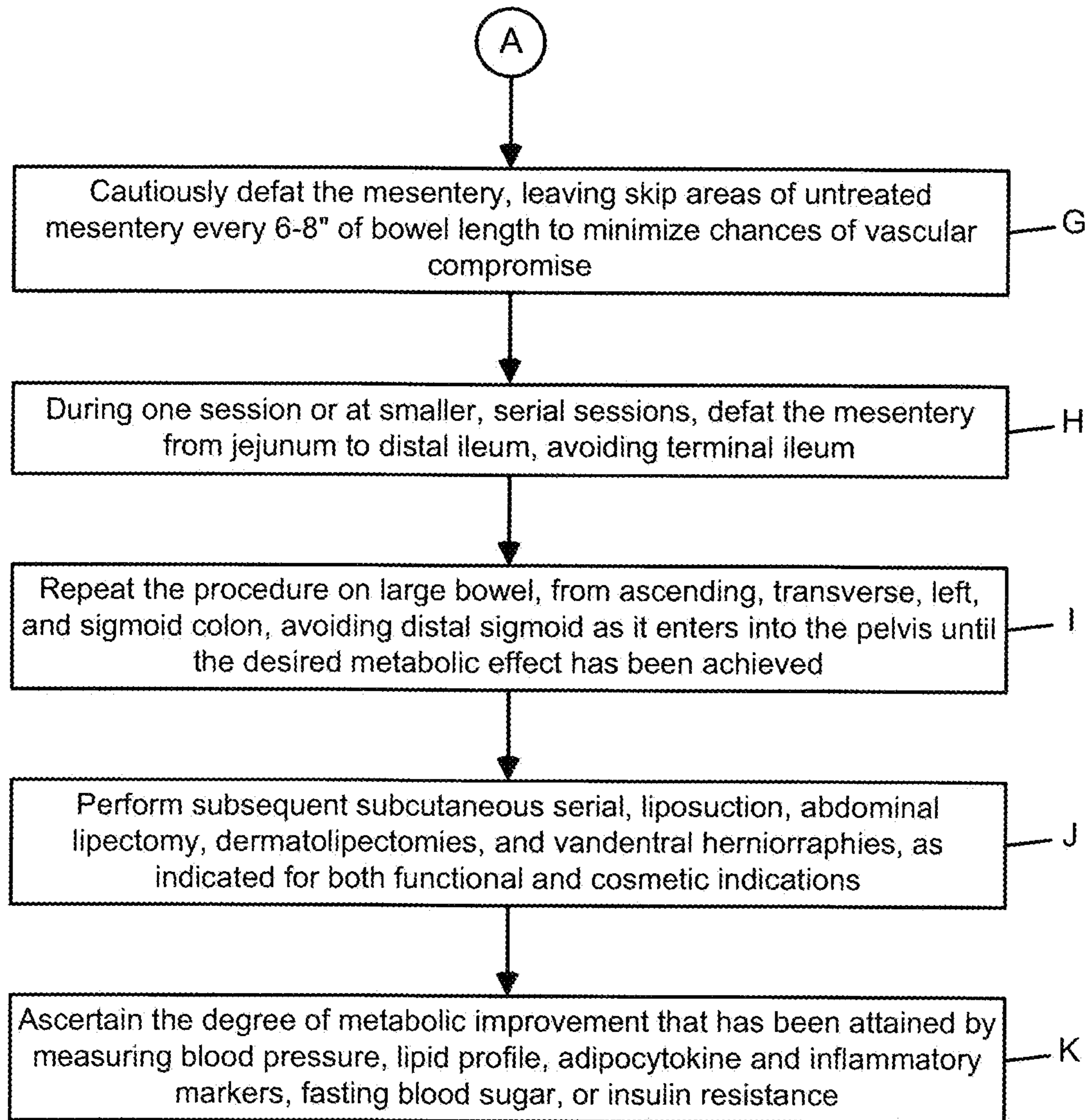


FIG. 8B



FIG. 9A

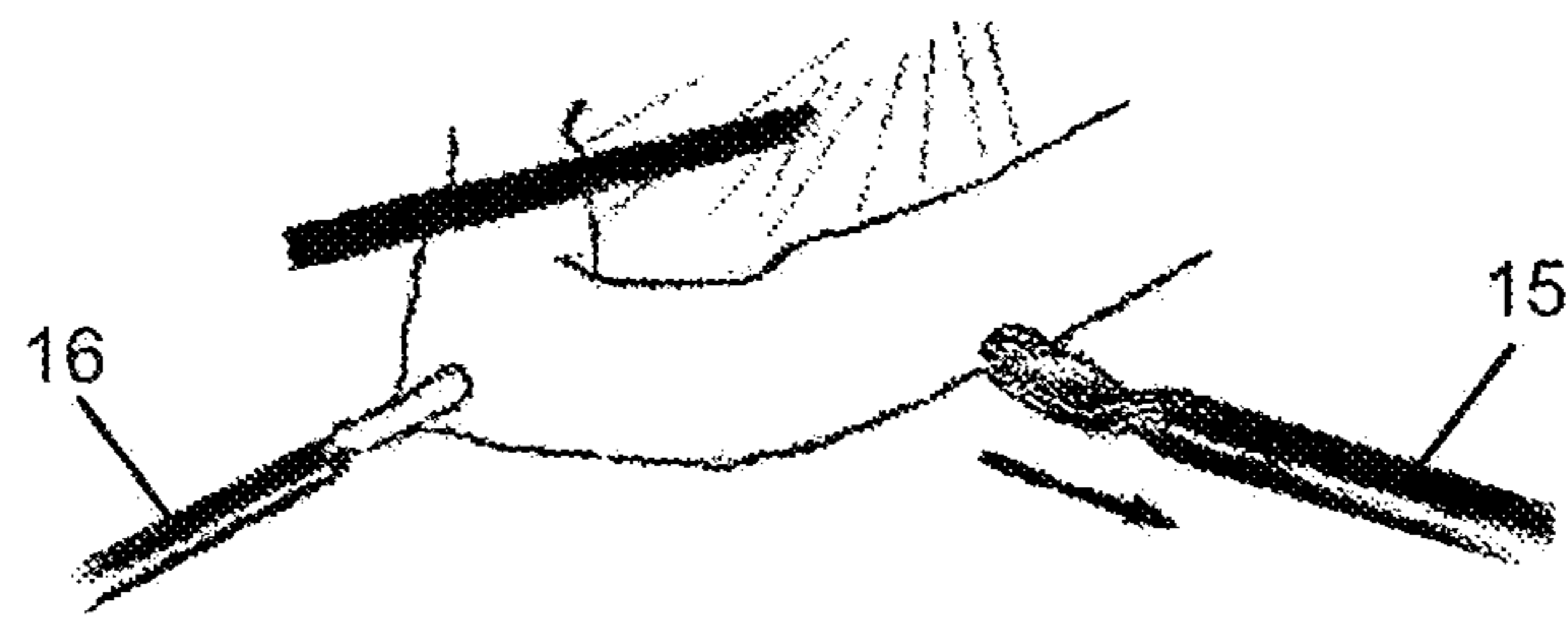


FIG. 9B

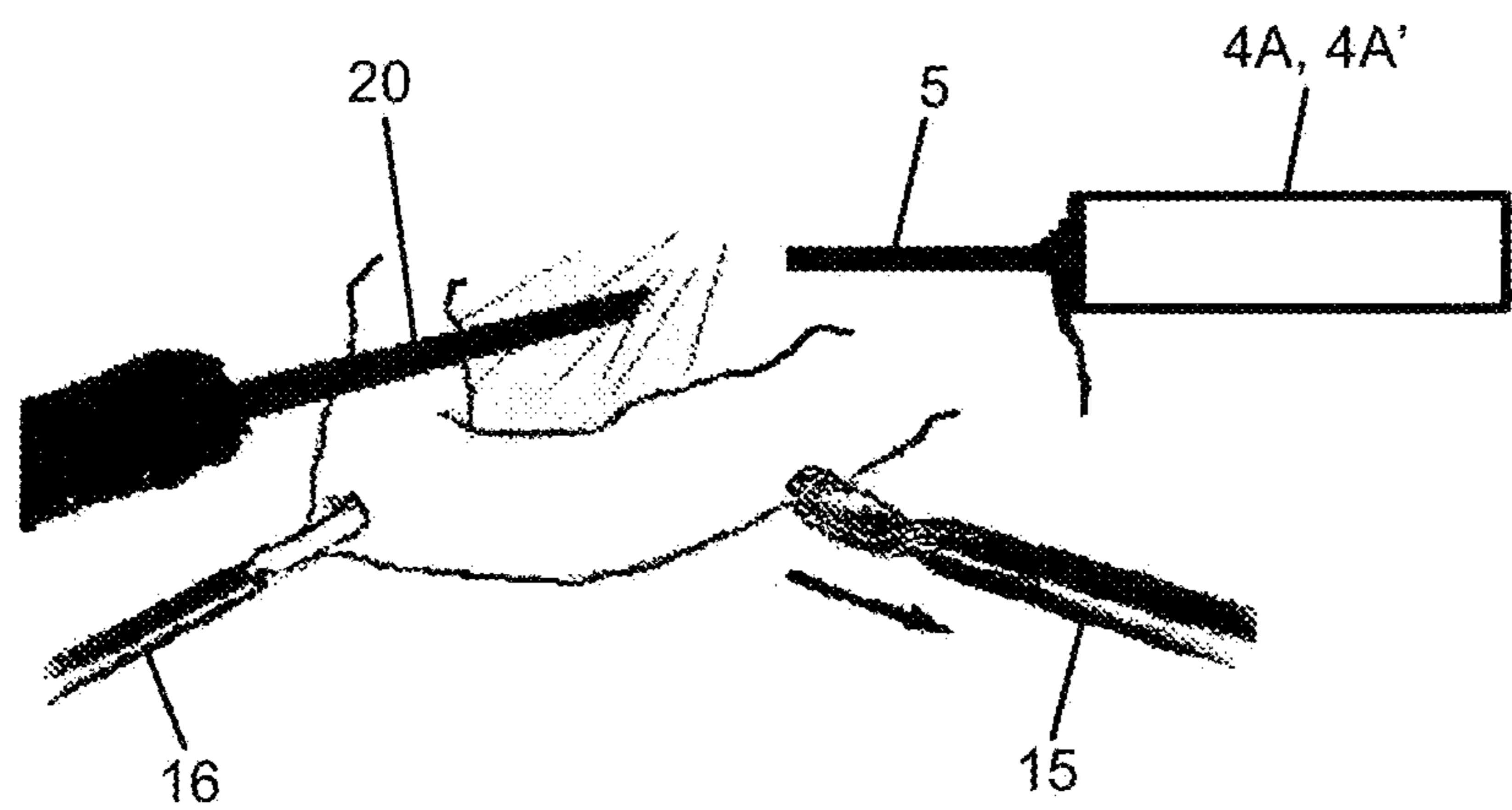


FIG. 9C

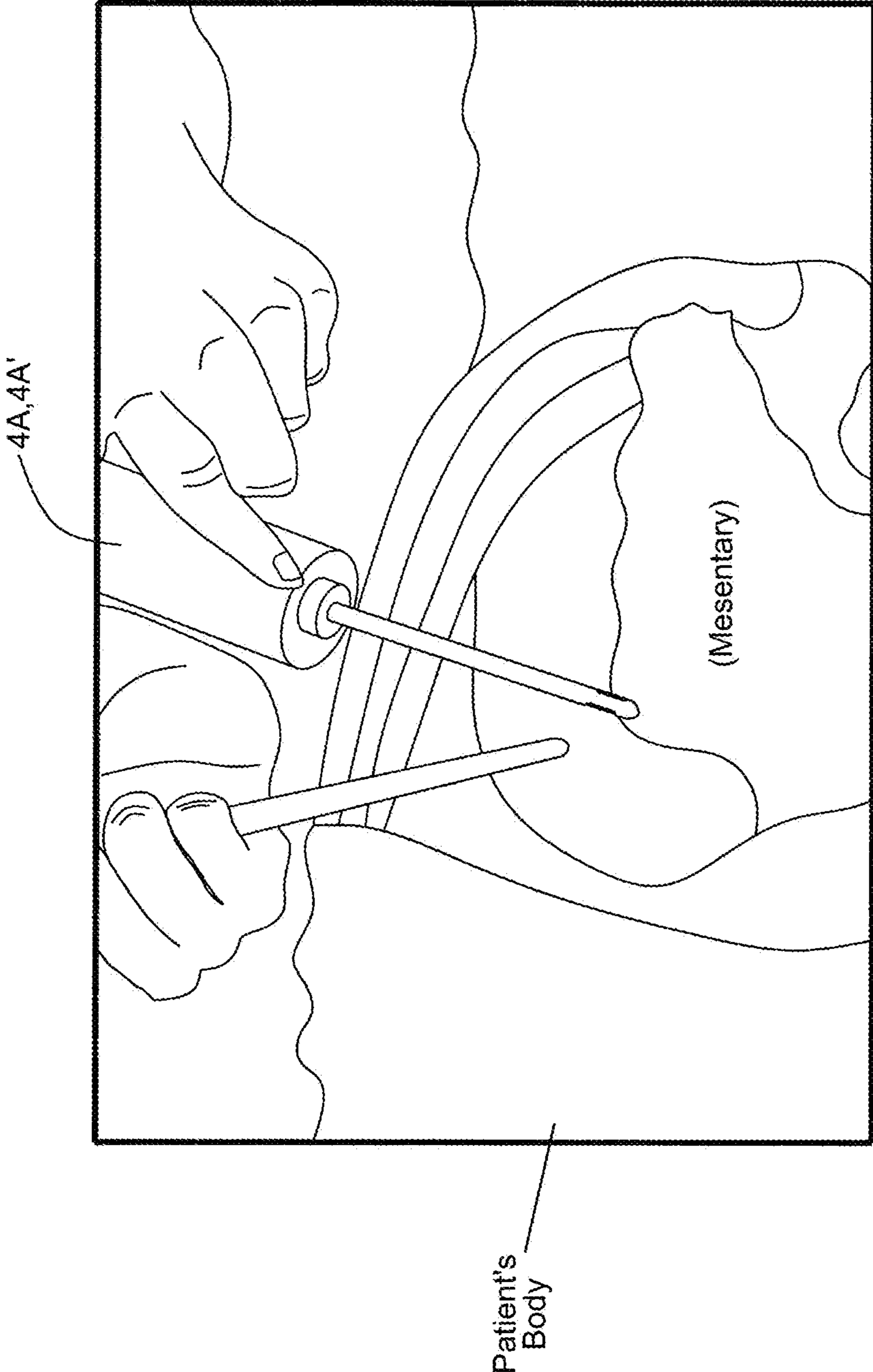


FIG. 10

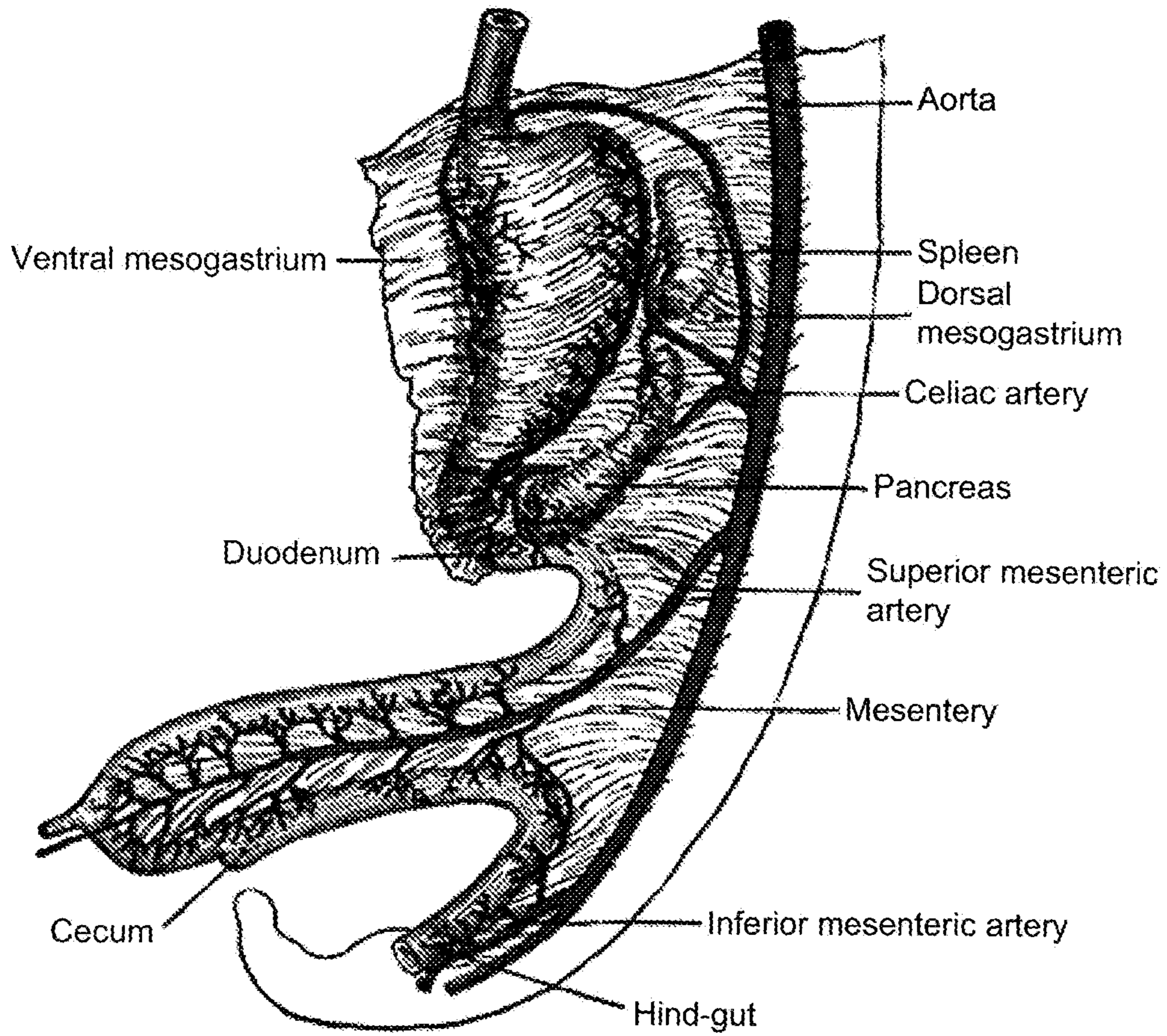


FIG. 11

**LAPAROSCOPIC-BASED METHOD OF
SAFELY REMOVING VISCERAL FAT TISSUE
DEPOSITS FROM WITHIN THE
MESENTERIC REGION OF A HUMAN
PATIENT SUFFERING FROM METABOLIC
SYNDROME**

RELATED CASES

This Patent Application is a Continuation of co-pending application Ser. No. 15/700,090 filed Sep. 9, 2017, which is a Continuation of application Ser. No. 13/315,230 filed Dec. 8, 2011, now U.S. Pat. No. 9,833,279 granted Dec. 5, 2017; which is a Continuation of application Ser. No. 12/850,786 filed Aug. 5, 2010, now U.S. Pat. No. 8,465,471 granted Jun. 18, 2013; which is a Continuation-in-Part (CIP) of copending application Ser. No. 12/462,596 filed Aug. 5, 2009, and copending application Ser. No. 12/813,067 filed Jun. 10, 2010; wherein each said Application is owned by Rocin Laboratories, Inc., and incorporated herein by reference in its entirety.

BACKGROUND OF THE INVENTION

Field of the Invention

The present invention relates to a novel way of and means for treating abdominal obesity, metabolic syndrome and Type II diabetes mellitus in human patients.

Brief Description of the State of Knowledge in the
Art

In general, there are three kinds of fat in the human body: subcutaneous fat, intramuscular fat, and visceral fat.

Subcutaneous fat is found underneath the skin, and intramuscular fat is found interspersed in skeletal muscle. Fat in the lower body, e.g. in thighs and buttocks, is subcutaneous. Visceral fat, also known as organ fat or intra-abdominal fat, is located inside the peritoneal cavity, packed in between the internal organs and torso of the abdomen. There are several adipose tissue deposits of visceral fat in the human body, namely: mesenteric, epididymal white adipose tissue, and perirenal deposits. [Adipose tissue as an endocrine organ Kershaw E E, Flier J S. *J. Clin. Endocrinol. Metab.* 89 (6): 2548-56 (2004).] An excess of visceral fat is known as central obesity, "belly fat," the "pot belly" or "beer belly," where the abdomen protrudes excessively.

Over 250 years ago, Johannes Baptista Morgagni described android obesity as increased intra-abdominal and mediastinal fat accumulation. Back then, he recognized the association between visceral obesity, hypertension, hyperuricemia, atherosclerosis, and obstructive sleep apnea syndrome. [Historical perspective: visceral obesity and its relation to morbidity in Johannes Baptista Morgagni's 'De sedibus et causis morborum per anatomen indagata' Enzi G, Busetto L, Inelmen E M, Coin A, Sergi G *Int. J. Obes Relat Metab Disord* 27: 534-535 (2003)]

Today, Morgagni's android obesity condition is now described as metabolic syndrome, and is associated with insulin resistance and increased risk of Coronary Heart Disease. The Metabolic syndrome is a condition defined by any three of five risk factors, one of which is waist circumference (female waist >88 cm (>35"), male waist >102 cm. (>40"). The others are triglycerides: (men <40 mg/dl; women <50 mg/dl), HDL cholesterol (\geq 110 mg/dl), blood pressure (\geq 130/ \geq 85 mm Hg), and FBS (>150 ml/dl). [Dys-

lipidemia of central obesity and insulin resistance. Brunzell, J D, Hokanson, J E *Diabetes Care*: 22(3); Mediastinal fat, insulin resistance and hypertension. Sharma A M *Hypertension*: 44:117 (2004)].

Over the past 40 years, the prevalence of obesity in the US increased from 13% to 32%. In 2003-2004, 66% of U.S. adults were overweight or obese.

Abdominal obesity as measured by waist circumference and waist hip ratio (WHR) is an independent predictor of mortality. Marginally increased waist circumference is strongly associated with prevalent hypertension in normal-weight and overweight adults. Also, there is a strong correlation between central (i.e. abdominal) obesity and cardiovascular disease. [Effect of potentially modifiable risk factors associated with myocardial infarction in 52 countries. Yusuf S, Hawken S, Ounpu S, Dans T, Avezum A, Lanas F, McQueen M, Budaj A, Pais P, Varigos J, Lisheng L, *Lancet* 364: 937-52 (2004).] Because of this, the WHR ratio has been used as a measure of obesity and is an indicator or measure of the health of a person, and the risk of developing serious health conditions. Research shows that people with "apple-shaped" bodies (with more weight around the waist) face more health risks than those with "pear-shaped" bodies who carry more weight around the hips. [Waist-hip ratio should replace Body Mass Index as an indicator of mortality risk in older people. *Am. J. Clin. Nutrition* (Aug. 12, 2006).]

A WHR of 0.7 for women and 0.9 for men have been shown to correlate strongly with general health and fertility. Women within the 0.7 range have optimal levels of estrogen and are less susceptible to major diseases such as diabetes, cardiovascular disorders and ovarian cancers. Men with WHR's around 0.9, similarly, have been shown to be healthier and more fertile with less prostate cancer and testicular cancer. Studies show that 80 percent of women over the age of 18 have a WHR of at least 0.9. This is a 40 percent increase since 2002, and it keeps increasing.

Although maintaining a healthy weight is a cornerstone in the prevention of chronic diseases and premature death, maintaining a healthy waist size should also be an important goal.

Markedly obese patients are typically directed towards diet and exercise programs, and failing that, presented with the option of bariatric surgery or living with and dying from the increased morbidity of obesity. After bariatric surgery, plastic surgeons perform skin excisions of the redundant folds of tissue remaining on patients who had lost 50-200 lbs. These post-bariatric surgery patients are frequently nutritional cripples with hypoalbuminemia, cirrhosis, and renal stones and suffer increased complications reflecting their impaired nutritional status.

Traditional plastic surgical approaches have been cosmetic, targeted only at removing (i) localized subcutaneous fat deposits in non-obese or modestly obese patients, and (ii) the redundant folds of abdominal wall or pannus that remain after massive weight loss from gastric banding or intestinal bypass procedures.

Before subcutaneous visceral fat aspiration, combined hemostasis and analgesia is achieved in the patient by infusing tumescent solutions of lactated Ringer's solution, containing dilute amounts of xylocaine and epinephrine. Performing tumescent visceral fat aspiration in this manner allows increased volumes of fat to be removed and obviates the need for general anesthesia which, in turn, facilitates outpatient surgery in office-based facilities. [Tumescent Technique Klein, J. Mosby (2000).]

Studies have now shown large volume subcutaneous fat aspiration and abdominoplasty as feasible alternatives for improving body shape. [Large-volume visceral fat aspiration and extensive abdominoplasty: a feasible alternative for improving body shape. Cardenas-Camarena L, Gonzalez L E *Plast Reconstr Surg*. 102: 1698-707 (1998).]

Clinical studies have shown large volumes of fat can be safely removed in serial visceral fat aspiration procedures performed at safe intervals. Pilot studies have also shown improvement in the cardiovascular risk profile with large volume subcutaneous visceral fat aspiration. [Improvements in cardiovascular risk profile with large-volume visceral fat aspiration: a pilot study. Giese S Y, Bulan E J, Commons G W, Spear S L, Yanovski J A. *Plastic Reconstr Surg*. 108 510-21(2001).]

However, it should be noted that such large volume subcutaneous fat aspiration approaches are still mainly cosmetic, as only the less metabolically active, subcutaneous fat is addressed and removed during such procedures.

Recently, animal research has discovered that only the removal of visceral fat in mice has been shown to stop insulin resistance. [Visceral fat removal stops insulin resistance. Barzilai N. *Diabetes* 51: 2951-2958 (2002).] Increased visceral fat shortens mammalian longevity and its removal lengthens it. [Visceral adipose tissue modulates mammalian longevity. Muzumdar R., Allison DB, Huffman, D M, Xiaohui M, Einstein, F H, Fishman S, Poduval A D, McVei T, Keith, S W, Barzilai, N. *Aging Cell* 7(3) 438-440 (2008).] [The effect of fat removal on glucose tolerance is depot specific in male and female mice. Haifei S, Strader A D, Woods, S C, Seeley, R J *Am. J. Physiol Endocrinol Metab* 293: E1012-1020 (2007).]

Adipose tissue is a metabolically active tissue and serves as an important endocrine organ. The hypertrophic fat cells of adipose tissue in obese patients produce increased quantities of leptin and tumor necrosis factor- α (TNF- α) and are less sensitive to insulin. Studies have revealed effect of visceral fat aspiration on insulin resistance and vascular inflammatory markers in obese women. Giugliano G, Nicoletti G, Grella E, Giugliano F, Esposito K, Scuderi N, D'Andrea F. *Br J Plast Surg*. 2004 April; 57(3): 190-4.) The most important secreted products of fat cells are leptin, resistin, tumornecrosisfactor- α (TNF- α), and adiponectin. The first three products are increased in obese patients as a result of increased production by enlarged fat cells. In contrast, adiponectin, which improves glucose handling by peripheral tissues, is present at lower levels in obese patients [Bastard J P, Maachi M, van Nhieu J T, Jardel C, Bruckert E, Grimaldi A, Robert J J, Capeau J, Hainque B: Adipose tissue content correlates with resistance to insulin activation of glucose uptake both *in vivo* and *in vitro*. *J Clin Endocrinol Metab* 87:2084-2089, 2002; Borst S E: The role of TNF- α in insulin resistance. *Endocrine* 23: 177, 2004; Fernandez-Real J M, Lopez-Bermejo A, Casamitjana R, et al.: Novel interactions of adiponectin with the endocrine system and inflammatory parameters. *J Clin Endocrinol Metab* 88:2714-2718, 2003; Rashid M N, Fuentes F, Touchon R C, Wehner P S: Obesity and the risk for cardiovascular disease. *Prev Cardiol* 6: 42-47, 2003].

Hypertrophic fat cells present in the subcutaneous tissue of obese patients generally produce increased quantities of secreted products such as leptin [Friedman J M: Obesity in the new millennium. *Nature* 404: 632, 2000] and TNF- α [Hotamisligil G S, Shargill N S, Spiegelman B M: Adipose expression of tumor necrosis factor- α : Direct role in obesity-linked insulin resistance. *Science* 259:87, 1993], but are less sensitive to insulin *in vivo* and *in vitro* [Chlouve-

rakis C, Hojnicky D: Effect of fat cell size on its sensitivity to insulin measured by a new method. *Steroids Lipids Res* 5:351, 1974; Olefsky J M: Mechanism of decreased responsiveness of large adipocytes. *Endocrinology* 100:1169, 1977].

Many studies assert that excising a large amount of subcutaneous fat by large-volume visceral fat aspiration (LVL) is metabolically safe [Giese S Y, Bulan E J, Commons G W, et al.: Improvements in cardiovascular risk profile with large-volume visceral fat aspiration: A pilot study. *Plast Reconstr Surg* 108:510, discussion 520, 2001; Gonzalez-Ortiz M, Robles-Cervantes J A, Cardenas-Camarena L, et al.: The effects of surgically removing subcutaneous fat on the metabolic profile and insulin sensitivity in obese women after large-volume liposuction treatment. *Horm Metab Res* 34:446, 2002; Robles-Cervantes J A, Yanez-Diaz S, Cardenas-Camarena L: Modification of insulin, glucose, and cholesterol levels in nonobese women undergoing visceral fat aspiration. *Ann Plast Surg* 52:64, 2004] and associated with improvement in inflammatory markers and insulin sensitivity in obese women [Giugliano G, Nicoletti G, Grella E, et al.: Effect of visceral fat aspiration on insulin resistance and vascular inflammatory markers in obese women. *Br J Plast Surg* 57:190, 2004; Gonzalez-Ortiz M, Robles-Cervantes J A, Cardenas-Camarena L, et al.: The effects of surgically removing subcutaneous fat on the metabolic profile and insulin sensitivity in obese women after large-volume visceral fat aspiration treatment. *Horm Metab Res* 34:446, 2002] and nonobese women [Robles-Cervantes J A, Yanez-Diaz S, Cardenas-Camarena L: Modification of insulin, glucose, and cholesterol levels in nonobese women undergoing visceral fat aspiration. *Ann Plast Surg* 5 2:64, 2004]

Also, it is known that visceral fat cells within the abdomen have their secretions poured directly in to the portal blood circulation with a much more profound effect on metabolism. Human mesenteric adipose tissue in obese diabetic subjects has high basal glycerol release and impaired isoproterenol stimulated glycerol release. The obesity-related gene expressions in the mesenteric adipose tissue are up regulated, suggesting that the alterations of these genes in mesentery adipose depot may play a critical role in insulin resistance of type 2 diabetes and metabolic syndrome. [Cell Physiol Biochem. 2008; 22(5-6):531-8. Epub 2008 Dec. 9. Human mesenteric adipose tissue plays unique role versus subcutaneous and omental fat in obesity related diabetes. Yang Y K, Chen M, Clements R H, Abrams G A, Aprahamian C J, Harmon C M.]

In Brazil, clinical trials are being carried out with partial omentectomy to determine the effect on insulin sensitivity. However, such studies have used direct surgical excision, posing high risk of vascular injury, with concomitant bleeding and vascular compromise of the intestine. [Surgical removal of visceral fat tissue (omentectomy) associated to bariatric surgery: effect on insulin sensitivity. Clinical Trials NCT00545805 University of Campinas, Brazil].

Thus, while there is great promise that the removal of visceral fat in the mesenteric region of human patients stands to ameliorate the metabolic syndrome and abdominal obesity, and reduce morbidity due to obesity, there is a great need in the art for a new and improved method of and apparatus for safely removing visceral fat in human patients, without employing conventional direct surgical excision techniques, and posing high risk of vascular injury with concomitant bleeding and vascular compromise of the intestine, associated with conventional surgical procedures and apparatus.

5

OBJECTS OF THE PRESENT INVENTION

Accordingly, it is a primary object of the present invention to provide a new and improved method of and apparatus for safely removing mesenteric fat in human patients to ameliorate the metabolic syndrome, or abdominal obesity, while avoiding the shortcomings and drawbacks of conventional surgical procedures and apparatus.

Another object of the present invention is to provide such an apparatus in the form of a laparoscopically-guided intra-abdominal visceral fat aspiration system including a powered hand-supportable fat aspiration instrument held by a surgeon and having an electro-cauterizing, irrigating and fiber-illuminating twin-cannula assembly for the safe removal of visceral fat from the mesenteric region of a patient, through a small incision in the patient's body.

Another object of the present invention is to provide such a laparoscopically-guided intra-abdominal visceral fat aspiration system, designed for safely removing visceral fat from the mesenteric region of a patient.

Another object of the present invention is to provide such a laparoscopically-guided intra-abdominal visceral fat aspiration system, wherein twin-cannula assembly support bipolar electro-cauterization about the aspiration aperture of a moving inner cannula, supported in a stationary outer cannula connected to the hand-supportable housing of the instrument.

Another object of the present invention is to provide a novel method of and apparatus for performing laparoscopic mesenteric visceral fat aspiration for ameliorating the metabolic syndrome, or abdominal obesity of the patient.

Another object of the present invention is to provide such a method comprising the steps of inserting a laparoscopic instrument and an electro-cauterizing visceral fat aspiration instrument into the mesenteric region of a patient, for the purpose of safely removing visceral fat to ameliorate the metabolic syndrome, or abdominal obesity of the patient.

Another object of the present invention is to provide a novel method of laparoscopically-guided intra-abdominal visceral fat aspiration, involving the simultaneously infusion of a tumescent solution into the mesenteric region of treatment, while synchronizing that infusion with the forward or return ("action") stroke of the inner cannula of the twin (dual) cannula assembly of the instrument.

Another object of the present invention is to provide a novel system for removing both subcutaneous and visceral fat deposits in a minimally invasive manner.

A further object of the present invention is to provide a novel method of minimally invasive visceral fat aspiration which is equally applicable to both subcutaneous and visceral fat deposits.

Yet a further object of the present invention is to provide a novel method of a lowering of the waist-to-hips circumference ratio, a treatment for and amelioration of type II diabetes mellitus, effect a favorable effect on metabolism as may be comprised of an increased insulin sensitivity, lowered fasting blood sugar, a lowering of blood pressure (particularly diastolic), an improvement in the lipid profile (lowered cholesterol, raising HDL, lowered triglycerides, lowered serum adipocytokine (Leptin) and inflammatory markers (TNF- α =tumor necrosis factor, resistin, IL-6 and IL-9), and by doing so effect a decrease in insulin resistance and reduce the risk of coronary artery disease associated with metabolic syndrome.

Another object of the present invention is to provide a method of treating type II diabetes by way of selected removal of visceral fat cells and components contained

6

therein (e.g. fat, adipocytokine (Leptin) and inflammatory markers (TNF- α =tumor necrosis factor, resistin, IL-6 and IL-9), to improve the sensitivity of tissue cells to insulin.

Another object of the present invention is to provide a powered visceral fat aspiration instrument employing a twin (dual) cannula assembly, having a moving aspiration aperture that reciprocates over a range of about 1/4" to about 1" which is appropriate to the thickness of mesenteries and omental fat deposits.

Another object of the present invention is to provide a powered visceral fat aspiration instrument employing a twin-cannula assembly supporting bipolar electro-cauterization of targeted visceral fat target being aspirated through the reciprocating inner aspiration aperture, in a safe and effective manner.

Another object of the present invention is to provide a powered visceral fat aspiration instrument employing a twin-cannula assembly which is driven in such a manner to substantially reduce vibration or disturbances which might be caused by the positioning of the instrument and thus its associated vacuum tubing, when repositioning of the aspirating cannula within visceral fat tissue.

Another object of the present invention is to provide a powered visceral fat aspiration instrument having a small size and footprint thereby facilitating its use in a laparoscopic procedure where multiple viewing and retracting instruments are inserted into key hole incisions in the patient abdomen and the added bulk would be detrimental and impede adoption.

Another object of the present invention is to provide a powered visceral fat aspiration instrument employing a twin-cannula assembly which supports simultaneous fluid irrigation and visceral fat aspiration about the moving aspiration aperture, in order to achieve a sump effect facilitating aspiration through the twin-cannula assembly.

Another object of the present invention is to provide a powered visceral fat aspiration instrument employing a twin-cannula assembly during a laparoscopic visceral fat aspiration procedure, which prevents the escape of compressed carbon dioxide (used to distend the patient's abdomen during the procedure) through the instrument, or its cannula assembly, or through the incision through which it is placed, other than through the inner cannula itself as a result of fat aspiration through the inner cannula aperture(s).

Another object of the present invention is to provide a coaxially-driven visceral fat aspiration instrument employing a twin-cannula assembly that performs visceral fat aspiration operations in a mechanically assisted manner.

Another object of the present invention is to provide a visceral fat aspiration instrument system which comprises a hand-supportable fat aspiration instrument having a hand-supportable housing with a stationary tubing connector provided at the rear of the housing and receiving a length of flexible tubing connected to a vacuum source, and including a twin-cannula assembly coupled to a cannula drive mechanism disposed within the hand-supportable housing and powered by an external power source (e.g. electrical power signals, pressurized air-streams, etc.) so as to periodically exert forces on the cannula base portion along the longitudinal axis of the the cannula assembly (i.e. coaxially exerted on the cannula base portion) and cause the hollow inner cannula base portion to reciprocate within the cylindrical (inner cannula base portion) guide tube, while tissue is being aspirated along the cannula lumen, through the lumen formed in the cannula base portion, through the cylindrical guide tube and through the stationary tubing connector, along the flexible tubing towards the vacuum source.

Another object of the present invention is to provide a visceral fat aspiration instrument system which comprises a hand-supportable fat aspiration instrument and a single-type cannula assembly, wherein the hand-supportable fat aspiration instrument includes (i) a hand-supportable housing having (i) a front portion and a rear portion aligned along a longitudinal axis, (ii) an interior volume and a cylindrical guide tube mounted within the interior volume, (iii) a cannula drive mechanism disposed adjacent the cylindrical guide tube, and (iv) a stationary tubing connector coaxially mounted to the rear portion of the hand-supportable housing along the longitudinal axis, connected to the cylindrical guide tube, and having an exterior connector portion permitting a section of flexible aspiration tubing to be connected at its first end to the exterior connector portion, and where the second end of the section of flexible tubing is connected to a vacuum source.

Another object of the present invention is to provide a visceral fat aspiration instrument system which comprises a hand-supportable fat aspiration instrument and a twin-type cannula assembly.

An even further object of the present invention is to provide such a fat aspiration instrument which can be driven by pressurized air or electricity.

A further object of the present invention is to provide such a visceral fat aspiration instrument, in which the cannula assembly is disposable.

An even further object of the present invention is to provide an improved method of performing visceral fat aspiration, in which one of the cannulas of the cannula assembly is automatically reciprocated back and forth relative to the hand-holdable housing, to permit increased control over the area of subcutaneous tissue where fatty and other soft tissue is to be aspirated.

Another object of the present invention is to provide a power-assisted visceral fat aspiration instrument, with a means along the cannula assembly to effect hemostasis during visceral fat aspiration procedures and the like, using RF-based electro cauterization.

Another object of the present invention is to provide an air-powered tissue-aspiration (e.g., visceral fat aspiration) instrument system, wherein the powered visceral fat aspiration instrument has an inner cannula that is automatically reciprocated within a stationary outer cannula by electronically controlling the flow of pressurized air streams within a dual-port pressurized air cylinder supported within the hand-supportable housing of the instrument.

Another object of the present invention is to provide such an air-powered visceral fat aspiration instrument system, wherein digital electronic control signals are generated within an instrument controller unit and these control signals are used to generate a pair of pressurized air streams within the instrument controller which are then supplied to opposite ends of the dual-port pressurized air cylinder within the powered visceral fat aspiration instrument.

Another object of the present invention is to provide such an air-powered visceral fat aspiration instrument system, wherein the rear end of the powered visceral fat aspiration instrument has a pressurized air-power supply-line connector, and an electrical control signal connector.

Another object of the present invention is to provide such an air-powered visceral fat aspiration instrument system, wherein the hollow inner cannula base portion of cannula assembly inserts into a front accessible port in the hand-supportable housing, while the aspiration tubing is connected to the stationary tube connector provided at the rear portion of the hand-supportable housing.

Another object of the present invention is to provide such an air-powered tissue-aspiration instrument system, wherein an intelligent instrument controller is used to supply air-power to the inner cannula reciprocation mechanism within the hand-supportable instrument, while communicating control signals between the instrument and its intelligent controller.

Another object of the present invention is to provide such an tissue-aspiration instrument system with an alternative electro-cauterizing dual cannula assembly, wherein a stream of irrigation fluid is automatically pumped from the base portion of the outer cannula to the distal portion thereof, along a micro-sized fluid conduit formed along the surface walls of the outer cannula, and released into the interior distal portion of the outer cannula through a small opening formed therein, for infiltration and irrigation of tissue during aspiration in order to facilitate pump action.

These and other objects of the present invention will be described in greater detail hereinafter in the claims to invention appended hereto.

BRIEF DESCRIPTION OF THE DRAWINGS

The above Objects of the Present Invention will be more fully understood when taken in conjunction with the following Figure Drawings, wherein like elements are indicated by like reference numbers, wherein:

FIG. 1 is a system block diagram of the laparoscopically-guided bipolar power-assisted twin-cannula visceral fat aspiration system of the present invention, showing an obese patient in an operating room undergoing a mesenteric visceral fat aspiration procedure carried out using the same in accordance with the principles of the present invention;

FIG. 2 is a perspective view of a first illustrative embodiment of the bipolar electro-cauterizing twin-cannula visceral fat aspiration instrumentation system of the present invention, depicted in the system of FIG. 1, and shown comprising (i) a hand-supportable fat aspiration instrument having (i) a hand-supportable housing with a stationary tubing connector provided at the rear of the housing and receiving a length of flexible tubing connected to a vacuum source and connecting to the cylindrical cannula base portion guide tube, and a twin tumescent-type cannula assembly having an inner cannula coupled to an pneumatically-powered cannula drive mechanism disposed within the hand-supportable housing and powered by a source of pressurized air or other gas, while its stationary outer cannula is releasably connected to the front portion of the hand-supportable housing, and (ii) a system controller for controlling the electro-cautery, irrigation and illumination functions supported by the fat aspiration instrument;

FIG. 2A1 is a perspective view of the air-powered fat aspiration instrument shown in FIG. 2, having a twin-cannula assembly supporting three-functions (i.e. tumescent infusion, electro-cautery and variable-spectrum illumination) about the aspiration aperture during visceral fat aspiration operations;

FIG. 2A2 is a partially exploded diagram of the fat aspiration instrument shown in FIG. 2A1, showing its hand-supporting housing, in which its cylindrical (cannula base portion) guide tube and air-powered driven mechanism are installed, while its cannula base portion, cannula and cannula lock nut are shown disassembled outside of the hand-supportable housing;

FIG. 2B is a cross-sectional view of the hand-supportable fat aspiration instrument shown in FIG. 2A1;

FIG. 2C is a perspective view of the multi-function twin-cannula assembly of the present invention employed on the instrument shown in FIGS. 2A and 2A1;

FIG. 2D1 is a perspective view of the outer cannula component of the twin-cannula assembly of FIG. 2C, constructed of stainless steel tubing coated with a white-colored PFA (Dupont Teflon®) coating, and showing its integrated irrigation port and irrigation channel, and its integrated fiber-optic port and fiber-optic channel;

FIG. 2D2 is an elevated side view of the outer cannula component of the twin-cannula assembly of FIG. 2D1, showing electro-cautery contacts on the base portion of the outer cannula to which RF signal cables are connected;

FIG. 2D3 is a first partially cut-away perspective view of the distal (tip) portion of the outer cannula component of the twin-cannula assembly of FIGS. 2D1 and 2D2, illustrating that the fiber carrying the illumination source terminates at the outer aspiration aperture to the field of aspiration about the aspiration aperture, and irrigation enters into the bullet tip area of the outer cannula;

FIG. 2D4 is a second partially cut-away perspective view of the distal (tip) portion of the outer cannula component of the twin-cannula assembly of FIGS. 2D1 and 2D2, illustrating that the fiber carrying the illumination source terminates at the outer aspiration aperture to the field of aspiration about the aspiration aperture, and irrigation enters into the bullet tip area of the outer cannula;

FIG. 2E1 is a first perspective view of the base portion of the outer cannula component of the bipolar electro-cauterizing cannula assembly shown in FIG. 2C;

FIG. 2E2 is a second perspective view of the inner cannula base portion of the outer cannula component employed in the bipolar electro-cauterizing cannula assembly shown in FIG. 2C;

FIG. 2E3 is a plan view of the base portion of the electrically-conductive outer cannula component of the bipolar electro-cauterizing cannula assembly shown in FIG. 2C, revealing its set of radially arranged electrical contacts disposed about the central axis of the outer cannula base portion, while the inner cannula base portion is slidably received within the cylindrical guide structure within the housing, so as to enable electrical contact between the electrically-conductive inner cannula and radially-arranged electrical contacts;

FIG. 2E4 is a perspective view of the outer cannula base portion shown in FIG. 2E3;

FIG. 2E5 is an exploded view of the outer cannula base portion shown in FIGS. 2E1 through 2E4;

FIG. 2F is a schematic diagram for the system controller employed by the first illustrative embodiment of the fat aspiration instrumentation system of FIG. 2A, supporting electro-cauterizing, irrigation and illuminating functions about the outer aspiration aperture of the fat aspiration instrument;

FIG. 2G is a flow chart describing the operation of the infusion pump of FIG. 2A in cooperation with irrigating electro-cauterizing visceral fat aspiration instrument illustrated in FIGS. 2A through 2F;

FIG. 2H shows a cautery control program written in programming language, describing when to open and close the cautery relay switch employed within the electro-cautery RF power signal generation module of the system controller;

FIG. 3 is a perspective view of a second illustrative embodiment of the bipolar electro-cauterizing twin-cannula visceral fat aspiration instrumentation system of the present invention, depicted in the system of FIG. 1, and shown comprising (i) a hand-supportable fat aspiration instrument

having (i) a hand-supportable housing with a stationary tubing connector provided at the rear of the housing and receiving a length of flexible tubing connected to a vacuum source and connecting to the cylindrical cannula base portion guide tube, and a twin tumescent-type cannula assembly having an inner cannula coupled to an electrically-powered cannula drive mechanism disposed within the hand-supportable housing and powered by a source of electrical power, while its stationary outer cannula is releasably connected to the front portion of the hand-supportable housing, and (ii) a system controller for controlling the electro-cautery, irrigation and illumination functions supported by the fat aspiration instrument;

FIG. 3A is a perspective view of the electromagnetically-powered fat aspiration instrument shown in FIG. 3, having a twin-cannula assembly supporting three-functions (i.e. tumescent infusion, electro-cautery and variable-spectrum illumination) about the aspiration aperture during visceral fat aspiration operations;

FIG. 3B is a perspective view of the multi-function twin-cannula assembly of the present invention employed on the instrument shown in FIGS. 2A and 3A, showing electro-cautery contacts on the base portion of the outer cannula to which RF signal cables are connected;

FIG. 3C is a first partially cut-away perspective view of the distal (tip) portion of the outer cannula component of the twin-cannula assembly of the present invention, illustrating its fiber carrying the illumination source to the field about the outer aspiration aperture, and irrigation channel conducting irrigation fluid to the bullet tip area of the outer cannula;

FIGS. 3D1 through 3D8 show a series of exploded views of the bipolar electro-cauterizing fat aspiration instrument of the present invention, showing its components disassembled;

FIG. 3E is a partially-cutaway cross-sectional view of the bipolar electro-cauterizing fat aspiration instrument taken along line 3F-3F in FIG. 3A;

FIG. 3F1 is a perspective view of the back housing plate employed in the hand-supportable instrument;

FIG. 3F2 is a perspective view of the cylindrical guide tube supporting its first and second electromagnetic coils;

FIG. 3F3 is an elevated side view of the cylindrical guide tube supporting its first and second electromagnetic coils;

FIG. 3F4 is a perspective partially-cutaway view showing the connection of the two electromagnetic coils to the contact plug employed in the hand-supportable fat aspiration instrument of the present invention illustrated in FIG. 3A;

FIG. 3F5 is schematic diagram of a two coil push-pull type of circuit for enabling the cannula drive mechanism employed in the hand-supportable fat aspiration instrument of the present invention illustrated in FIG. 3A;

FIG. 3G1 is a sectional-view of a second embodiment of the hand-supportable fat aspiration instrument of FIG. 3A, showing a cylindrical (cannula base portion) guide tube supporting three electromagnetic coils used to realize the cannula drive mechanism employed in the fat aspiration instrument;

FIG. 3G2 is schematic diagram of a three coil push-pull type of circuit for enabling the cannula drive mechanism employed in the second embodiment of the hand-supportable fat aspiration instrument of the present invention illustrated in FIG. 3A;

FIG. 3H is a schematic diagram for the system controller employed by the second illustrative embodiment of the fat aspiration instrumentation system of FIG. 3A, supporting

11

electro-cauterizing, irrigation and illuminating functions about the outer aspiration aperture of the fat aspiration instrument;

FIG. 3I shows a cautery control program written in programming language, describing when to open and close the cautery relay switch employed within the electro-cautery RF power signal generation module;

FIG. 4 is a perspective view of the in-line fat sampling device of the present invention connected between the vacuum source and the twin-cannula visceral fat aspiration instrument of the present invention, shown in FIGS. 2A and 3A;

FIG. 4A is a first perspective view of the in-line fat sampling device of the present invention;

FIG. 4B is a second perspective view of the in-line fat sampling device of the present invention;

FIG. 4C is a first exploded view of the in-line fat sampling device of the present invention, shown comprising a collection chamber, a lid with barbed connector for connection to the suction tubing, a suction plate having six projections for supporting six sample syringes, a selector with a passage from center to periphery to control flow of aspirated fat sample into the selected syringe, and a barbed connector for connecting to tubing extending to the hand-supportable fat aspiration instrument, and a spring pushing up the turning knob and keeping the selector at the bottom of the collection chamber;

FIG. 4D is a second exploded view of the in-line fat sampling device of the present invention,

FIG. 4E is a third exploded view of the in-line fat sampling device of the present invention;

FIG. 4F1 is a cross-sectional view of the in-line fat sampling device of the present invention shown in FIGS. 4A through 4E, illustrating the passage within the selector component, extending from the center of the device to the periphery thereof to control the flow of aspirated fat samples into the selected syringe;

FIG. 4F2 is a cross-sectional view of the in-line fat sampling device shown in 4F1, illustrating the flow of an aspirated fat sample from the patient, through the fat aspiration instrument of the present invention, to the selector component of the fat sampling device, through the passage-way/flow director, into the selected syringe, whereupon fat cells are collected within the selected syringe while excess fluid is expressed through holes in the selected syringe, and passed out through the barded connector towards to vacuum source;

FIG. 4G is a graphical representation illustrating the process of removing collected visceral fat samples contained in syringes from the collection container of the in-line fat sampling device of the present invention;

FIG. 4H is a perspective view of a syringe removed from the collection container of the in-line fat sampling device of the present invention, and arranged in proximity with a hole excluder and syringe plunger, for use together when desiring to eject a visceral fat sample collected in a selected syringe within collection container of the in-line fat sampling device of the present invention;

FIGS. 4I1 and 4I2 set forth a graphical representation illustrating the process of using the hole exclude and syringe plunger to eject a visceral fat sample that has been collected in a syringe removed from the collection container of the in-line fat sampling device of the present invention;

FIG. 5A is a schematic diagram of the process illustrating the increased negative feedback effect (i.e. decrease in fat burn) which an increase in hypertrophic visceral fat cells have upon the basal metabolic rate (BMR) within a human

12

being's metabolism, by the increased secretion of Leptin, Resistin and TNF- α —prior to treatment according to the principles of the present invention;

FIG. 5B is a schematic diagram of the process illustrating a decreased secretion of Cytokines (i.e. Adipopectin) in response to an increase in hypertrophic visceral fat cells, favoring a decrease in sensitivity of peripheral tissues to insulin and thus a decrease in glucose utilization thereby—prior to treatment according to the principles of the present invention;

FIG. 5C is a schematic diagram of a process illustrating a reduction in the number of hypertrophic fat cells and their harmful secretions (i.e. Leptin, Resistin and TNF- α) by the method of treatment according to the present invention, and the favorable impact on the patient's metabolism by increasing fat burn and the basal metabolic rate (BMR);

FIG. 5D is a schematic diagram of the process illustrating an increased circulation of secretion of Cytokines (i.e. Adipopectin) in response to a decrease in hypertrophic visceral fat cells by practicing the method of treatment according to the present invention, and the favorable increase in sensitivity of peripheral tissues to insulin and thus an increase in glucose utilization thereby;

FIGS. 6A and 6B a flow chart illustrating the primary steps carried out during the illustrative embodiment of the method of treating obesity by mesenteric visceral fat aspiration according to the present invention, comprising diagnosis, exploration, partial omentectomy, small bowel mesenteric visceral fat aspiration, large bowel mesenteric visceral fat aspiration, followed by subcutaneous visceral fat aspiration, abdominal and dermatolipectomies as indicated;

FIGS. 7A and 7B a flow chart illustrating the primary steps carried out during the illustrative embodiment of the method of treating WHR and metabolic syndrome by mesenteric visceral fat aspiration according to the present invention, comprising diagnosis, exploration, partial omentectomy, small bowel mesenteric visceral fat aspiration, large bowel mesenteric visceral fat aspiration, followed by subcutaneous visceral fat aspiration, abdominal and dermatolipectomies as indicated;

FIGS. 8A and 8B a flow chart illustrating the primary steps carried out during the illustrative embodiment of the method of treating type II diabetes by mesenteric visceral fat aspiration according to the present invention, comprising diagnosis, exploration, partial omentectomy, small bowel mesenteric visceral fat aspiration, large bowel mesenteric visceral fat aspiration, followed by subcutaneous visceral fat aspiration, abdominal and dermatolipectomies as indicated;

FIG. 9A is a perspective view of the patient's abdominal region during the first phase of a mesenteric visceral fat aspiration procedure of the present invention, showing the inspection of the small bowel and placing a region of proximal jejunum under tension between two graspers for treatment, following creation of routine laparoscopy portals and customary CO₂ infusion for abdominal distension;

FIG. 9B is perspective view of the patient's abdominal region during a second phase of the mesenteric visceral fat aspiration procedure of the present invention, showing the insertion of a cannula into the mesentery for infusion of tumescent solution;

FIG. 9C is perspective view of the patient's abdominal region during a third phase of the mesenteric visceral fat aspiration procedure of the present invention, showing the insertion of the bipolar electro-cauterizing twin-cannula visceral fat aspiration instrument shown in FIG. 1, into the

mesentery of the patient and fat removal by way of visceral fat aspiration under laparoscopy guidance with the laparoscope shown;

FIG. 10 is a graphical illustration of the cross-section partially cut away view of the patient's abdominal region during a later phase of the mesenteric visceral fat aspiration procedure of the present invention, showing the aspiration and electro-cauterization of visceral fatty tissue in the mesentery, using the laparoscopically-guided irrigating bipolar electro-cauterizing twin-cannula visceral fat aspiration instrumentation of the present invention; and

FIG. 11 is a graphical illustration of the abdominal region of a patient, showing areas where visceral fat is to be removed in the middle $\frac{1}{3}$ of the mesentery, while avoiding the major vessels at the root of the mesentery near the aorta and the smaller direct supply vessels (vasa recti) near the bowel itself (i.e. where a great amount of visceral fat is located—in the fan-folded condensation of mesentery thickened with visceral fat).

DETAILED DESCRIPTION OF THE ILLUSTRATIVE EMBODIMENTS OF THE PRESENT INVENTION

Referring to the figures in the accompanying Drawings, the various illustrative embodiments of the present invention will be described in great detail, wherein like elements will be indicated using like reference numerals.

Overview on Methods of Treatment According to Principles of the Present Invention

In general, the method of treatment according to the present invention involves performing vacuum-assisted aspiration of mesenteric fat from a patient in the intra-abdominal region, using either an "open direct-viewing" based laparotomy procedure, or preferably, a minimally-invasive, "laparoscopic" based procedure using the new and improved fat aspiration instruments of the present invention.

The open direct-viewing based procedure involves a surgical team making a direct laparotomy incision into the abdomen of the patient using their own direct human vision to guide their surgical instruments, while performing a visceral fat aspiration procedure/method in accordance with the principles of the present invention.

The laparoscopic-based procedure involves a surgical team making one or more limited access portals into the patient's abdomen and using laparoscopic and/or camera monitor assistance for their human vision, while performing the visceral fat aspiration procedure/method in a minimally invasive fashion according to the principles of the present invention.

Using either method, visceral fat is safely removed from the mesenteric region of a patient to help to ameliorate the metabolic syndrome, abdominal obesity and/or type II diabetes.

Specification of the Laparoscopically-Guided Intra-Abdominal Visceral Fat Aspiration Instrument System of the Present Invention, Designed for Safely Removing Visceral Fat From the Mesenteric Region of a Patient

In FIG. 1A, there is shown a preferred laparoscopically-guided intra-abdominal visceral fat aspiration instrument system 1 for performing the mesenteric visceral fat aspiration methods of the present invention, typically in an oper-

ating room environment. The system 1 comprises: an endoscopy (e.g. laparoscopy) subsystem, or laparoscope 2 having (i) a video probe 2A provided with an embedded 2D high-resolution digital color image sensor with a field of view (FOV) for insertion into the abdomen of the patient 3, (ii) one or more video monitors (e.g. LCD displays and controller) 2B for displaying to surgeons and assistants, real-time digital color video images of the patient's abdominal region captured along the field of view (FOV) of the video probe 2A, and (iii) digital recording equipment 2C for recording captured digital video during the operation and marking the same by the surgeons, as required; a bipolar electro-cauterizing twin-cannula powered visceral fat aspiration system 4 having (i) a powered hand-supportable fat aspiration instrument 4A provided with a self-irrigating, bipolar electro-cauterizing and fiber-illuminating twin-cannula assembly 5, (ii) a system controller 4B connected to the hand-supportable instrument 4A by way of a flexible multi-lumen cable assembly 4C, for supplying (i) pressurized air streams 6 from pressurized gas source 6A to drive the inner cannula of the hand-supportable instrument 4A (shown in FIGS. 2A through 2H), or (ii) electrical power signals 6' from electrical power source 6B to drive hand-supportable instrument 4A' (shown in FIGS. 3 through 3I), and optionally (iii) RF-power signals 7 generated by an RF signal generating module 4D for powering the self-irrigating bipolar electro-cauterizing and illuminating twin cannula assembly 5, as taught in U.S. Pat. No. 7,384,417 B2; a vacuum pump 4E operably connected to the inner cannula via a flexible tubing and other components, for aspirating visceral fat through the aspiration aperture 9 of the twin cannula assembly 5 during system operation; an infusion pump 4F controlled by the system controller 4B, for periodically or continuously pumping irrigation fluid through irrigation tube 12 and into an irrigation port on the cannula assembly for infusing solution near the distal portion of the cannula assembly 5 during system operation; an operating table 11 for supporting a patient; a multi-spectral illumination source 4G providing the surgeon with selectable spectrum control, to deliver a desired spectrum of illumination along an optical fiber 12 to the outer cannula and produce a field of illumination spatially-overlapping the field of aspiration about the reciprocating inner aspiration aperture 9 at the distal portion of the twin-cannula assembly 9; in-line fat sampling device 14 installed in-line along the flexible tubing 9A, 9B, for collecting and indexing samples of visceral fat while the surgeon samples the abdominal region of the patient, for subsequent analysis and testing/measurement for compounds indicative of obesity, metabolic syndrome and/or type II diabetes; and other operating room equipment including high intensity lighting apparatus, retraction clips, stitches etc.

In addition, the laparoscopically-guided visceral fat aspiration system 1 of the present invention further includes instruments such as trocars for penetrating the abdomen, laparoscopic graspers, laparoscopic scissors, and a CO2 infusion tube (supplied from CO2 gas source 6A), as described in detail in U.S. Pat. No. 7,384,417 B2, incorporated herein by reference.

Typically, infusion pump 4F will include a roller pump which compresses the tubing to create forward flow, as disclosed in U.S. Pat. No. 7,384,417 B2 incorporated herein by reference. The infusion pump 4F supplies a pulsatile flow of irrigation fluid through the distal tip portion of the twin-cannula assembly of the present invention, as shown in FIGS. 2D 3 and 2D4, so that controlled amounts of fluid are delivered under short periods of time to facilitate synchro-

15

nization with either the forward or return stroke of the inner cannula 5B. This feature will be described in great detail hereinafter.

In the illustrative embodiment of the present invention, the multi-spectral illumination source 4G can be constructed from a white light source producing a white light beam that is filtered by a selectable color filter wheel, with associated optics, interfaced with a fiber-optic delivery cable, to provide the surgeon with selectable spectrum control, to deliver a desired spectrum of illumination (e.g. red, blue and/or yellow) at and about the aspiration aperture of the fat aspiration instrument 4A. Alternatively, the illumination source 4G can be realized using a multi-spectral LED array with associated optics, interfaced with a fiber-optic delivery cable, to provide the surgeon with selectable spectrum control, to deliver a desired spectrum of illumination (e.g. red, blue and/or yellow) at and about the aspiration aperture of the fat aspiration instrument 4A. The multi-spectral illumination source 4G can also be adapted to generate and deliver a bright red light beam at the time of, and at the location of visceral fat aspiration about the distal portion of the twin-cannula assembly 5. Also, in addition to white-type light being supplied by the laparoscopic light source during operations, the multi-spectral illumination source 4G can supply red/blue/yellow light (i.e. illumination) through the fiber-optic channel along the twin-cannula assembly, to illuminate tissue about the aspiration aperture, to help visually distinguish and accentuate arterial vessels, veins and fat itself, and facilitate vesiculation of arterial blood vessels, portal and systemic veins, and fat. In yet alternative embodiments, the color wheel may be rotated continuously, offering a 3-D emphasis of the treatment area.

In FIGS. 2A through 2G, a hand-supportable multi-function visceral fat aspiration instrument 4A is shown for use with system 1 depicted in FIG. 1A. This embodiment of the instrument of the present invention is powered by a source of pressured air or gas (e.g. a pressurized-air cylinder driven by source of pressurized gas (e.g. CO₂)). In FIGS. 3A through 3J, an alternative embodiment of the hand-supportable multi-function visceral fat aspiration instrument 4A' is shown for use with system 1 depicted in FIG. 1A. This alternative embodiment of the instrument is powered by an electromagnetic motor driven by electrical current delivered through coil windings at a given voltage. Both instruments 4A and 4A' employ the multi-function twin-cannula assembly 5 of the present invention shown in FIGS. 2C through 2D4, and supporting its multiple functions, namely: bipolar electro-cauterization, fluid irrigation, and spectrum-controlled illumination at and about the reciprocating aspiration aperture 9 of the twin-cannula assembly.

In FIGS. 4 through 4I2, an in-line visceral fat sampling device 14 for use with the fat aspiration instruments of the present invention, is described in technical detail. This in-line fat sampling device allows the surgeon to easily collect and index samples of visceral fat aspirated in particular regions of the patient's abdominal cavity, for subsequent analysis that may be informative during subsequent serial fat aspiration procedures during a particular course of treatment.

It is appropriate at this junction, to now describe in greater detail the coaxially-driven multi-function visceral fat aspiration instruments 4A and 4B of the present invention.

Specification of the First Illustrative Embodiment of the Twin-Cannula Multi-Function Co-Axially Driven Visceral Fat Aspiration Instrument of the Present Invention

In FIG. 2A, the first illustrative embodiment of the twin-cannula visceral fat aspiration instrumentation system

16

1 is shown comprising: a hand-supportable fat aspiration instrument 4A having (i) a hand-supportable housing 15 with a stationary tubing connector 16 provided at the rear of the housing and receiving a length of flexible tubing 9A connected to a vacuum source 4E and connecting to the cylindrical cannula base portion guide tube 20, and (ii) a multi-function twin-cannula assembly 5 having an inner cannula 5B with an inner cannula base portion 20 disposed within the cylindrical cannula base portion guide tube 21, and coupled to an pneumatically-powered cannula drive mechanism (as illustrated in FIG. 2A2) housed within the hand-supportable housing and powered by a source of pressurized air or other gas, while its stationary outer cannula 5A is releasably connected to the front portion of the hand-supportable housing 14; system controller 4B for controlling the electro-cautery, irrigation and illumination functions supported by the fat aspiration instrument; an aspiration source 4E; a pneumatic power source 6A; and a flexible multi-core cable assembly 20 connecting the system controller 4B and the hand-supportable instrument 4A; and an infusion pump 4F for supplying irrigation fluid to an infusion port 35 on the outer cannula via flexible tubing, and connected to the system controller 4B for synchronized pulse control, and operational to synchronize the release of irrigation fluid (i.e. infusion) with inner cannula motion.

As shown in FIG. 2A, the air-powered fat aspiration instrument 4A comprises a single-button quick connect plug 22 provided on the rear portion of the hand-supportable housing, for connecting the multi-core cable assembly 23 and supporting two gas lines and three electric wires between the instrument and the system controller in a single bundle, as taught in U.S. Pat. No. 7,381,206 to Cucin, incorporated herein by reference, with appropriate modifications for the application at hand. While RF power signals can also be supplied through the multi-core cable assembly, and routed as necessary to the cautery leads 30A and 30B provided on the outer cannula base portion, as shown in FIGS. 2A and 2A1, RF power signals can be supplied through power cables 31 that are separate from the multi-core cable assembly 23.

As shown in FIGS. 2B and 2C, the twin-cannula assembly 5 comprises an inner cannula component 5B that is slidably received within an outer cannula component 5A. The inner cannula component 5B has a distal end and a proximal end and an inner aspiration aperture 8, and is provided with a Leur-lock fitting 25 at its proximal end so as to be able to connect to a matched fitting provided on the inner cannula base portion 20 which reciprocates within the cylindrical cannula base portion guide tube 21, mounted within the hand-supportable housing 15. The outer cannula component 5A also has a distal end and a proximal end and an elongated outer aspiration aperture 9, and is provided with a Leur-lock fitting 26 at its proximal end so as to be able to connect to a matched fitting provided on the outer cannula base portion 5C which connects to the front portion of the housing 15 by way of a threaded hole formed therein as shown in FIG. 2A2. The inner and outer cannulas are keyed to ensure that the inner aspiration aperture 8 is always in registration (i.e. cannot rotate within the outer cannula, and remains in constant alignment) with the elongated aspiration aperture (i.e. slot) during instrument operation.

The outer cannula component 5A is shown detailed in FIGS. 2D1 through 2D4, the outer cannula base portion 5C is detailed in FIGS. 2E1 through 2E5, and the inner cannula component 5B is detailed in FIGS. 2A2 and 2B. When fully assembled, and configured with its hand-supportable instrument housing, and the other components of the system 1, the

twin-cannula assembly **5** of the present invention simultaneously performs a number of important functions during visceral fat aspiration operations, namely: tumescent infusion of an irrigation fluid, electro-cauterization of aspirated fat passing through the inner aspiration aperture **9**, and variable-spectrum fiber-illumination delivered across the field of irrigation, about the outer aspiration aperture **9**. These functions will be described in greater detail hereinafter.

As shown in FIGS. **2D1** and **2D2**, the outer cannula component **5A** is realized as a thin tube made from stainless steel tubing (No. 304) and then coated with a white-colored PFA (Dupont Teflon®) coating. Also, the inner cannula component **5B** is realized as a thin tube (of slightly smaller outer diameter dimensions than the outer cannula) made from stainless steel tubing (No. 304) and then coated with a black-colored PFA (Dupont Teflon®) coating. These high contrast coatings will serve to render the moving “white” (reflective and bright) inner cannula aspiration aperture **9** highly visible against the “black” (absorptive and dark) outer cannula, in digital video images captured, buffered and displayed (in real-time) during video-guided fat aspiration operations carried out in accordance with the principles of the present invention. While PFA coatings are applied over the outer surfaces of the inner and outer cannulas, PFA coating material should be removed from the peripheral edges of the outer cannula aspiration aperture **8** and the inner cannula aspiration aperture **9** where electrical field potentials are to be generated during bipolar electro-cauterization operations about the relatively moving outer aspiration apertures. Also, PFA coating material should be removed from the outer surface of the proximal portion of the inner cannula so that electrical contact can be established between the radially extending contacts (brushes) **30** supported within the non-conducting outer cannula base portion **5C**, shown in FIGS. **2E2** and **2E3**, and electrically connected to the bipolar RF signal supply port **30A** provided on the exterior of the outer cannula base portion **5C**.

As shown in FIGS. **2D1** through **2D4**, an irrigation supply port **31** is provided on the proximal end of the outer cannula before its Leur-lock fitting, and an irrigation channel **32** is formed along the wall of the outer cannula component (via longitudinal brazing) and terminates at an irrigation release port **33** located at the distal tip portion of the cannula, for supplying irrigation fluid on the inside of the bullet-shaped distal portion of the outer cannula, adjacent its outer aspiration aperture/slot **8**, as clearly shown in FIGS. **2D3** and **2D4**, to provide continuity with the interior of the outer cannula at the tip to maximize sump effects and directed irrigation.

By delivering the irrigation fluid into the very tip of the inside region of outer cannula the following benefits are achieved: (1) maximal sump effect to help aspiration of fat; and (2) hydrostatic dissection every time the inner cannula advances and push the irrigation solution that has collected inside the outer cannula between the back-stroked inner cannula and the dome of the outer cannula into the tissues (mesentery) to facilitate dissection. Tumescent solution may be employed, e.g. lactated Ringers and a very dilute solution of epinephrine may be employed to minimize bleeding.

On the opposite side of the outer cannula component, a fiber optic supply port **35** is an integrated fiber-optic port is provided on the proximal end of the outer cannula before its Leur-lock fitting **30B**, and a fiber optic channel **36** is formed along the wall of the outer cannula component (via longitudinal brazing) and terminates at an illumination port **37** located at the distal tip portion of the cannula. An optical

fiber **38** is installed through the fiber optic supply port **35** and along the fiber channel **36**, and provided with a conventional fiber optic cable connector at the fiber optic supply port **35**, so as to supply an illumination signal that is delivered to the illumination port **37** to illuminate tissue in the region outer aspiration aperture **8** of the outer cannula **5A** during fat imaging and aspiration operations. Notably, the end of the optical fiber will be shaped appropriately at the illumination port **37** to provide a field of illumination that spatially overlaps the field of aspiration about the outer aspiration aperture, to ensure that tissue within and about the field of aspiration is optimally illuminated while digital video images of the distal portion of the twin-cannula assembly **5** are being captured, buffered and display on video display units mounted in the operating room, for the surgeon to view and use while manually guiding the distal portion of the cannula within the patient’s abdominal region during surgery, to remove visceral fat in the patient’s mesentery region.

In order to supply bipolar RF signals to the electrically conductive inner and outer cannula component of the twin-cannula assembly of FIG. **2D1**, the non-conductive outer cannula base portion **5C** is provided with first RF power signal port **30A** to which a first RF signal cable is connected in a conventional manner, whereas the electrically conductive outer cannula is provided with second RF power signal port **30B** to which a second RF signal cable is connected in a conventional manner. A first electrical connection is established between the RF power signal port **30B** and the electrically-conductive outer cannula tubing **5B**, which may be realized using electrical wiring and soldering in a manner known in the art, or other techniques known in the art. Also, a second electrical connection is established between the RF power signal port **30A** and the array of radially-projecting electrical contacts (i.e. brushes) **30** mounted within the inside bore of the outer cannula base portion **5C**, as shown in FIGS. **2E4** and **2E5**. The second electrical connection may also be realized using electrical wiring and soldering in a manner known in the art, but other techniques may be used as well.

During twin-cannula operation, the set of radially arranged electrical contacts **30** establish low-friction electrical contact with the exposed non-coated portion of the outer surface of the electrically conductive inner cannula **5B**. With this arrangement, a first polarity of the supplied RF power signal is conducted to the electrode region **32B** formed about the peripheral edge of the inner cannula aspiration aperture **8**, while the second polarity of the RF power signal is conducted to the electrode region **32A** formed about the peripheral edge of the outer cannula aspiration aperture **5A**, to thereby provide bipolar electro-cauterization about the moving inner aspiration aperture, within the fields of aspiration, irrigation and illumination.

As shown in FIG. **2A2**, the reciprocating inner cannula **5B** has luer lock fitting **25** to mate to luer lock fitting **25'** on the inner cannula base portion **20**; magnet **48** is affixed to inner cannula base portion **20** using a screw-on nut **45**; front and rear gas tubes **57** and **58** run to from the front of the housing to the rear multi-core quick connect plug **22**; the quick connect multi-core plug **22** connects to multi-core cable containing two fluidic (gas) channels and at least three low voltage electrical circuits; the cable **23** runs to controller **4B** within which the gas channels directly attached to the compressed gas source (not shown); the front and rear Hall sensors **22** and **23** are provided within the hand-supportable housing, for detecting the excursion of the cannula base portion **20** within the cylindrical guide tube **1**; front and rear

flat sealing washers **46** and **47** are provided for slidably supporting the inner cannula base portion **20** along the cylindrical guide tube **21**; threaded chamber cover **10** is provided with a hole, through which the inner cannula **5B** protrudes; sufficiently large through-and-through vents are formed in the threaded chamber cover **10** to allow any gas that leaks past the front washer **46**, to exit the chamber. Such air venting to the ambient is less critical because the concentric tube-with-a-tube structure, and the sliding of the cannula base portion **20** inside the rear tubing connector assembly, provides effective seals in and of themselves. Also, in this embodiment, the walls of at least the front (pneumatic) chamber portion of housing should be made from a non-magnetizable metal (e.g. SS 304) or other material that will support the necessary gas pressure of actuation (e.g. ~100 PSI).

During instrument operation, the Hall effect sensors **52** and **53** sense the position of the inner cannula base portion **20** within cylindrical guide tube **21** by sensing the magnetic field of its magnetic ring **8**. As the inner cannula base portion **20** reciprocates within the cylindrical guide tube **21**, the aspiration/vacuum tubing **9A** connected to the barb connector **16** on the stationary tubing connector, remains stationary and thereby preventing any jerking action on the surgeon's hands and reducing image jitter during video image capture and display operations. Also, the inner and outer cannulas **5A**, **5B** are provided with luer-lock fittings **25**, **26** respectively, while the inner cannula base portion **20** is typically realized or provided as a sterile single-use disposable item, made from plastic or metal, and having a low cost magnet and silicone washers to provide fluid seals between the inner cannula base portion **20** and the cylindrical guide tube **21** within the hand-supportable housing **15**.

In FIG. **2F**, the system controller **4B** is shown comprising a number of components, namely: an analog-to-digital converter (ADC) receiving signals generated by the front and rear Hall-effect cannula base position sensors installed within the hand-supportable housing of the instrument; a LCD panel; communication ports; LED indicators; and panel membrane switches supported on the controller console housing; digital signal processor (DSP); and a digital-to-analog converter (DAC) and proportional valve contained within the controller console housing, and supplying gas tubes (via the multi-core cable assembly); and ports for receiving a supply of pressurized gas, for controlled supply to the inner cannula drive mechanism of this embodiment of the present invention. For further details on constructing a system controller, such as system controller **4B**, reference should be made to U.S. Pat. No. 7,381,206 to Cucin, incorporated herein by reference.

The flow chart of FIG. **2G** describes the operation of the infusion pump **4F** in cooperation with irrigating electrocauterizing visceral fat aspiration instrument illustrated in FIGS. **2A** through **2E**. The cautery control program written set forth in FIG. **2H** describes when to open and close the cautery relay switch employed within the electro-cautery RF power signal generation module of the system controller. Such control operations are carried out by the DSP in the system controller. A control program is also provided within the DSP for activating the illumination source when the twin-cannula assembly is being driven by its integrated pneumatic motor.

During system operation, the inner cannula base portion **20** reciprocates within the cylindrical guide tube **21**, while the aspiration/vacuum tubing **9A** connected to the barb connector **16** on the stationary tubing connector, remains stationary and thereby preventing jerking action on the

surgeon's hands and reducing image jitter and blurring during video capture and display operations during surgery. Also, the infusion pump **4F** delivers controlled amounts of fluid through the irrigation channel **32** and out the irrigation port **33**, over short periods of time, in synchronization with either the forward or return stroke of the inner cannula **5B** within the outer cannula **5A**. Such irrigation facilitates fluid flows out of the irrigation aperture **33** and proximate to the elongated aperture **8**, while visceral fat is being electrocauterized by electrodes **32A**, **32B** and aspirated through the reciprocating aspiration aperture **9** of the hand-supportable visceral fat aspiration instrument. At the same time, the fiber optic supply port **35** and fiber delivery channel **36** illuminates tissue within the field of aspiration, while a high resolution digital imager **2A** with a field of view (FOV) on the distal portion of the twin-cannula assembly captures high contrast images of the white (reflective) and black (absorptive) colored PFA-coatings on the outer and inner cannulas **5A** and **5B** respectively, to assist the surgeon in practicing the method of the present invention.

FIG. **2C** describes the primary control operations performed by system controller **4B** during fluid irrigation delivery operations using the surgical system of FIG. **1**. Specifically, as indicated at Step A in FIG. **2C**, the inner cannula **5B** is driven to reciprocate within the outer cannula **5A** while the hand-supportable visceral fat aspiration instrument is being used during a laparoscopically-guided mesenteric visceral fat aspiration operation on an obese patient, wherein visceral fatty tissue is aspirated through its moving aspiration aperture. As indicated at Step B, when the inner cannula is displaced at its maximal stroke position within the outer cannula, irrigation fluid is automatically pulsed through the irrigation channel/lumen integrated within the outer cannula, so that irrigation fluid is expressed out of the irrigation aperture, proximate to the outer aspiration aperture, and into the region where visceral tissue is being aspirated within the mesentery of the patient. As indicated at Step C, the automatic pulsing of irrigation fluid through the irrigation aperture is ceased when the inner aperture moves away from its maximal stroke position and towards its minimal stroke position. As indicated at Step D, the operations of Steps B and C are repeated while driving the inner cannula to reciprocate within the outer cannula. The control routine of FIG. **2F** will be realized using computer programming techniques well known in the art.

Specification of the Second Illustrative Embodiment of the Twin-Cannula Multi-Function Co-Axially Driven Visceral Fat Aspiration Instrument of the Present Invention

In FIG. **3**, the second illustrative embodiment of the multi-function twin-cannula visceral fat aspiration instrument **4A'** is shown for use in the system **1** of FIG. **1**. As shown, this visceral fat aspiration instrument **4A'** comprises: a hand-supportable housing **15** with a stationary tubing connector provided at the rear of the housing and receiving a length of flexible tubing **9** connected to vacuum source **4E** and connecting to the cylindrical cannula base portion guide tube **50**, and (ii) the twin tumescent-type cannula assembly **5** employed in the first illustrative embodiment **4A** (FIGS. **2D1** through **2E5**) having an inner cannula **5B** coupled to an electrically-powered cannula drive mechanism disposed within the hand-supportable housing and powered by a source of electrical power, while its stationary outer cannula **5B** is releasably connected to the front portion of the hand supportable housing; (ii) a system controller **4B'** for con-

21

trolling the electro-cautery, irrigation and illumination functions supported by the fat aspiration instrument 4A' of the present invention.

FIGS. 3D1 through 3D8 show how the components of the visceral fat aspiration instrument of the present invention are assembled, in a step-wise manner.

As shown in FIG. 3E, the hand-supportable visceral fat aspiration instrument 4A' comprises: a cylindrical guide tube 1 mounted within the hand-supportable housing 2, and the (disposable) inner cannula base portion 50 carries a permanent magnetic ring 58 between a set of fluid seals 56 and 7 that slidably support the cannula base portion 60 within the cylindrical guide tube 50. The inner cannula 5B is coupled to the cannula base portion 60 by way of a mated luer-lock coupling 25, 25' and the lumen extending within the cannula and its inner cannula base portion 60 is in fluid communication with the stationary tubing connector 16, by way of the interior volume of the cylindrical guide tube 50 between the cannula base portion 60 and the stationary tubing connector 16. The stationary tubing connector 16 (having a barbed tubing connector portion) is adapted to unscrew from the rear portion of the hand-supportable housing so that housing back plate 59 can be removed so that the cylindrical guide tube 50 (i.e. the wound bobbin) can be slid into the hand-supportable housing 15. The top and bottom of the hollow cylindrical ring magnet 58 produce opposing magnetic poles, and magnet 58 is secured onto the inner cannula base portion 60 and against flange 54 by way of nut 55 which screws onto a set of threads form on other surface of the cannula base portion 60. In the illustrative embodiment, the fluid seals 56, 57 are realized as a pair of thin-walled, collapsible (i.e. invertible) bell-shaped silicone sealing washers which act as front and rear diaphragms allowing motion of the cannula base portion within the cylindrical guide tube. By setting mid-point geometry, one washer can effect a return stroke without need of coil polarity reversal, simply pulsing sufficing. Mounted about outer surface of the cylindrical guide tube, front and rear coil windings 61 and 62 are formed, respectively, and electrically connected to the connector plug 64 formed on the rear end of the hand-supportable housing.

FIG. 3D2 clearly reveals the components of the instrument 4A' as comprising: cylindrical guide tube 50 with flanges for containing electromagnetic coil windings (61, 62); hand-supportable housing 15; housing back plate 59; stationary tubing connector 16 with a vacuum tubing barb; flange 54 on inner cannula base portion 60; magnet fastening nut 55; front washer 56; back washer 57; ring magnet 58; inner cannula 5B provided with a luer lock fastener 25; front chamber screw cap 10; back electromagnetic coil 61; front electromagnetic coil 62; disposable inner cannula base portion 60 provided with as luer lock fastener 25'; and contact/connector plug 59 (e.g. Binder 719).

FIGS. 3D1 through 3D8 show how these components are assembled in step order fashion, in a front-loading manner, and the twin-cannula assembly 5 is simply connected to the (disposable) inner cannula base portion 60, using luer lock coupling mechanisms 25, 25' well known in the art, to completely assemble the instrument and prepare it for use in surgery.

Taken together, FIGS. 3F1 through 3F4 shows how the first and second electromagnetic coils 61, 62 are wound about the cylindrical guide tube 50, and then how wiring of these coils are electrically connected to the electrical connector mounted on the housing back plate 59, employed in the first illustrative embodiment shown in FIGS. 2A through 5E. FIG. 3F5 shows a schematic diagram depicting how the

22

two coil 61 and 62 are driven by a push-pull type of circuit, for the purpose of enabling the inner cannula drive mechanism employed in the hand-supportable fat aspiration instrument 4A' illustrated in FIG. 3A.

Third Illustrative Embodiment of the Visceral Fat Aspiration Instrument System of the Present Invention

In FIG. 3G1, an alternative embodiment of the hand-supportable fat aspiration instrument of FIG. 3A, depicted as 4A" is shown, comprising: a cylindrical (inner cannula base portion) guide tube 50" adapted to support three electromagnetic coils, rather than two coils used in the first illustrative embodiment 4A', for the purpose of implementing the inner cannula drive mechanism employed in the fat aspiration instrument. FIG. 3G2 shows a schematic diagram for this three coil push-pull type of circuit, driven by a 1-30HS AC electrical signal, for enabling the inner cannula drive mechanism employed in the alternative embodiment of the hand-supportable fat aspiration instrument 4A" in FIG. 6A. In all other respects, the fat aspiration instrument of the third illustrative embodiment 4A" is like the fat aspiration instrument 4A'.

Specification of the In-Line Visceral Fat Sampling Device of the Present Invention

Referring to FIGS. 4 through 4I2, the in-line fat sampling device 14 of the present invention will now be described.

As shown in FIGS. 4C through 4E, the in-line fat sampling device 14 comprises: a optically-transparent collection chamber 70 having closed end 71 with a central aperture 72, and an open end 72 with hollow inner chamber/space disposed between the closed end 71 and the open end 73; a removable lid 74 for threaded connection to the open end of the collection chamber, and having a central flow channel 75 terminated in a first barbed connector 76 for connecting the device to vacuum source 4E by way of a section of flexible vacuum tubing 9B; a stationary suction plate 77 having six hollow projections 78A through 78H for supporting the open ends of six sample syringes 80A through 80H, each having perforations 81 in the walls thereof (to allow fluid to flow therethrough while in the collection chamber) and being keyed for registration with the collection chamber (to prevent rotation); a rotatable selector 82 (shown in FIG. 4F1) for rotational engagement with the suction plate 77 and having a hollow central post section 82A that passes through central aperture 72 and establishes fluid communication with a passage/conduit 82B that extends from center of the to periphery to control the flow of aspirated fat sample from the instrument 4A, 4A', 4A" through the first section of tubing 9A, through the selector 82 and into the selected syringe/projection 80 combination; a turning knob 84 mounted on and engaging with the hollow selector post 82A and enabling the turning of the rotatable selector 82 relative to the stationary suction plate 77 to select the syringe/projection combination into which an aspirated fat sample should flow for collection and indexing purposes during surgery; a spring 85 mounted between the turning knob 84 and hollow selector post 82A to push up the turning knob and keeping the selector 82 at the bottom of the collection chamber; and a second barbed connector 86 connected by threads to the hollow selector post 82A allowing the fat sampling device 14 to be connected to the fat aspiration instrument 4A, 4A' by way of a second section of flexible vacuum tubing 9B.

Surgeon installs the fat sampling device **14** inline between the fat aspiration instrument **4A, 4A'** and the vacuum source **4E** as shown in FIG. **4A**. The collection chamber **70** is labeled for orientation, indicating the side to patient and the side to vacuum source. The turning knob **84** has an arrow on it. The suction plate **77** has numbers 1-6 for each of the stoppered perforated syringe barrels **80A-80H** connected to it. The surgeon then pushes down on turning knob **84** against the biasing force of spring **85** and that pushes the selector slightly forward so the knob can be turned to select which syringe to collect to, until it is full, counting from 1 to six. The selector **82** has a detente dome extrusion which fits into the corresponding dimple below the selected syringe. The spring **85** maintains the selector **82** in its selected position. As shown in FIGS. **4E** and **4F1**, suction plate **77** has two flanges **87A** and **87B** which snap over the selector **82**, and grip a groove that runs around it to secure it in place relative to the selector **82**.

When practicing the method of treatment according to the present invention, the surgeon initially performs sampling of visceral fat in the SB mesentery of the small bowel, starting at the duodenum, the beginning, middle and distal jejunum and the ileum before returning to the proximal jejunum to begin the first defatting treatment, with the circulating nurse noting into which syringe the aspirated fat from each area is being collected. When all syringes are full of fat, unit is disconnected and vacuum source is connected directly to the hand piece. The fat sampling device may be replaced with another one for sampling at shorter distances if desired.

As shown in FIG. **4F2**, during fat aspiration operation using the system of the present invention, an aspirated fat sample flows from the abdominal region of the patient, through the fat aspiration instrument of the present invention, through tubing **9A** and the hollow selector post **82A**, through passageway/flow director **82B**, into the selected collection syringe **80A-80H** supported on the stationary suction plate **77** and capped with cap portion **80A-80H**, respectively. Fat cells are collected within the selected syringe while excess fluid is expressed through holes in the selected syringe, and passed out through the barded connector **76** towards to vacuum source **4E**.

FIG. **4G** shows a process of removing collected visceral fat samples contained in syringes in the in-line fat sampling device of the present invention. This involves removing the lid portion **74**, and withdrawing the syringes supported on the suction plate assembly **77**. Then as shown in FIGS. **4H** and **4I**, a capped fat containing syringe **80A** is removed from the suction plate **77** and snapped into an syringe hole occluder **90** and rotated to as to occlude the holes/perforations **81** formed in the walls of the syringe, as shown in FIG. **4A1**. Then a plunger **91** is inserted into the syringe, and the indexed fat sample is expressed out for testing and analysis purposes, typically in one or more of the laboratory methods described below.

In general, the kind of tests/measurements to be performed on a visceral fat sample will depend on the condition being treated. However, it would be helpful to measure concentrations of a particular aspirated fat region, using the following laboratory methods: measure resistin levels using the Resistin human ELISA kit (VinciBiochem, Vinci-FI, Italy); determine adiponectin levels using a radioimmunoassay method [Linco Research, St. Charles, MO, USA; and quantify TNF-a, interleukin-6 (IL-6), and IL-10 using an enzyme-linked immunoassay (ELISA) method [BioSource Cytoscreen, ELISA UltraSensitive Kits, Camarillo, USA].

Subsequent serial defattings will target the region showing the highest (measured) levels of leptin, and resistin,

TNF-alpha, and Interleukin 6 (IL-6) and lowest levels of adiponectin. IL-6 is an inflammatory markers associated with increased risk of coronary artery disease and insulin resistance.

The Science Underlying the Methods of Treatment According to the Present Invention

The science underlying the visceral fat aspiration based methods of the present invention is represented in the schematic illustrations set forth in FIGS. **5A** through **5D**.

FIG. **5A** illustrates the increased negative feedback effect (i.e. decrease in fat burn) which an increase in hypertrophic visceral fat cells have upon the basal metabolic rate (BMR) within a human being's metabolism, by the increased secretion of Leptin, Resistin and TNF- α —i.e. prior to treatment according to the principles of the present invention.

FIG. **5B** illustrates a decreased secretion of Cytokines (i.e. Adiponectin) in response to an increase in hypertrophic visceral fat cells, favoring a decrease in sensitivity of peripheral tissues to insulin and thus a decrease in glucose utilization thereby—i.e. prior to treatment according to the principles of the present invention.

FIG. **5C** illustrates a process caused by reducing the number of hypertrophic fat cells and their harmful secretions (i.e. Leptin, Resistin and TNF- α) by the method of treatment according to the present invention, and the favorable impact on the patient's metabolism by increasing fat burn and the basal metabolic rate (BMR).

FIG. **5D** illustrates a process of increased circulation of secretion of Cytokines (i.e. Adiponectin) in response to a decrease in hypertrophic visceral fat cells by practicing the method of treatment according to the present invention, and the favorable increase in sensitivity of peripheral tissues to insulin and thus an increase in glucose utilization thereby.

In FIG. **10**, a cross-sectional view of the patient's abdominal region is provided during a later phase of the mesenteric visceral fat aspiration procedure of the present invention, showing the aspiration and electro-cauterization of visceral fatty tissue in the mesentery, using the laparoscopically-guided irrigating bipolar electro-cauterizing twin-cannula visceral fat aspiration instrumentation of the present invention.

FIG. **11** shows areas where visceral fat is to be removed in the middle $\frac{1}{3}$ of the mesentery—i.e. avoiding the major vessels at the root of the mesentery near the aorta and avoiding the smaller direct supply vessels (vasa recti) near the bowel itself i.e. where most the fat is anyway—in the fan-folded condensation of mesentery thickened with visceral fat.

Method of Treating Obesity According to the Principles of the Present Invention

FIGS. **6A** and **6B** illustrate the primary steps carried out when practicing the method of treating morbid obesity by mesenteric visceral fat aspiration according to the illustrative embodiment of the present invention, comprising the steps: diagnosis, exploration, partial omentectomy, small bowel mesenteric visceral fat aspiration, large bowel mesenteric visceral fat aspiration, followed by subcutaneous visceral fat aspiration, abdominal and dermatolipectomies as indicated. Preferably, the fat aspiration operations indicated above are carried out using the apparatus described in FIGS. **1** through **4I2**, although it is understood that other techniques and apparatus can be used.

As indicated in Step A in FIG. 6A, the surgeon diagnoses a patient with metabolic syndrome and/or obesity (morbid obesity) using the waist-to-hip ratio (WHR) and by physical measurements and lab tests. Morbid Obesity is defined as being 100 lbs over the ideal body weight or having a Body Mass Index (BMI) greater than or equal to 40.

As indicated in Step B in FIG. 6A, the surgeon performs a brief abdominal exploration or inspection to eliminate the presence of inflammatory bowel disease and other contraindications to surgery, such as, diverticulitis and a Meckel's diverticulum, or any other pathology. At her option, the surgeon may infuse a tumescent solution (Ringer's lactate with or without dilute epinephrine, and with or without xylocaine) as described above to prepare the area for treatment.

As indicated in Step C in FIG. 6A, the surgeon performs a partial omentectomy by removing the redundant omental apron.

As indicated in Step D in FIG. 6A, when performed as an open direct-viewing procedure, the omentum is retracted and the jejunum is exposed. Either by the hands of an assistant in an open procedure or with aid of atraumatic laparoscopic graspers [Endo Babcock or Dolphin Nose Grasper], the proximal jejunum is isolated and placed under gentle tension. One atraumatic grasper is inserted in the right upper quadrant for retraction of the jejunum towards the liver, and a second atraumatic grasper is inserted in the left lower quadrant, placed on a section of jejunum approximately 6 to 8 inches distal to the previously placed grasper, and retracted caudally towards the left lower quadrant. The jejunum is placed under tension and the mesentery exposed and straightened.

As indicated at Step D in FIG. 6A, when performed as a laparoscopic procedure, a pneumoperitoneum is created in the usual fashion and the trocars are inserted so the procedure may be performed under laparoscopic guidance with multiple monitors. A partial omentectomy may be carried out by removing the caudal portions of the omentum. When performed laparoscopically, omentum is removed in strips to facilitate removal through laparoscopic portals. Care is taken to obtain strict hemostasis and to preserve an apron of protective omentum while it is substantially shortened and defatted.

FIG. 9A depicts the bowel grasped between two clamps to tent up the mesentery.

FIG. 9B depicts a cannula inserted into the tented mesentery to infuse tumescent solution.

As indicated in Step E in FIG. 6A, a retractor is inserted through the right lower quadrant and placed posteriorly beneath the tented mesentery. An incision is made anteriorly in the mesentery, approximately $\frac{2}{3}$ of the distance between its base and the bowel. The surgeon then inserts the power-assisted twin cannula assembly 5 into the region, and applies 30-40 cm Hg of vacuum to the inner cannula, and conservatively aspirates mesenteric fat. FIG. 9C depicts insertion of the twin cannula device 5 into the previously tumesced and tented mesentery.

When using the laparoscopically-guided twin-cannula visceral fat aspiration instrument system shown in FIGS. 1 and 2, there is much less risk of vascular disruption or visceral injury than when using single cannula instrument, because the twin-cannula instrument of the present invention protects the adventitia of the arboreal blood vessels from injury, and allows treatment of larger areas more rapidly and effectively.

As indicated in Step F in FIG. 6A, the surgeon optionally, applies bipolar electro-cautery, with or without synchro-

nized tumescence. By including a separate fluidic channel in the outer cannula, extending from its base to its tip, it is possible to synchronize a pulsed infusion of tumescent solutions or irrigation (e.g. lactated Ringer's solution with or without small amounts of epinephrine (e.g. 1:100,000-1:400,000) through this additional channel in the tip of the twin cannula assembly with the advancement of the inner cannula, to facilitate fat aspiration with a sump effect. Alternatively, a totally separate cannula may be placed with the mesentery and used for pulsatile or non-pulsatile, synchronized or unsynchronized infusion near the tip of the twin cannula assembly 5.

By eliminating the battering ram effect of a reciprocating cannula and the need for tumescent solution for hemostasis, twin cannula visceral fat aspiration allows the minimally invasive removal of soft tissue in any location, including the intestinal mesentery by either open or laparoscopic approaches. Unlike single cannula visceral fat aspiration cannulas, the tube-within-a-tube construction of the twin cannula assembly 5 is particularly suited to a laparoscopic approach as all viscera are spared disruption from the moving member except the limited area of fat being aspirated in the mesentery adjacent to the outer cannula slot. The relatively stationary outer cannula reduces friction caused by the continually reciprocating inner cannula and the laparoscopy portal. Placement of the outer cannula 5A is positional, rather than actively reciprocating, to avulse particles of fat.

Twin cannula mesenteric visceral fat aspiration according to the principles of the present invention described above, thus allows direct correction of abdominal obesity, and in a less invasive and dramatically immediate fashion without the untoward nutritional consequences, hepatic, or renal complications of gastric bypass or banding procedures.

The use of twin cannula visceral fat aspiration, with or without bipolar cautery hemostasis and with or without a synchronized pulsed infusion of tumescent or irrigation solution through the cannula, offers a controlled, rapid, and safer way of treating a length of intestine with much less risk of bleeding or vascular injury.

Although bipolar hemostasis obviates the need for tumescence with epinephrine containing solutions, small amounts of epinephrine could be added to small pulses of lactated Ringer's solution, with or without small quantities of local anesthetic, which are synchronized with the advancement of the inner cannula within the outer cannula.

Since the irrigation solution is immediately aspirated through the aspiration aperture 55 of the twin (twin) cannula assembly 5 of FIGS. 2A and 3A, the systemic effects of vasopressor and local anesthetics during twin cannula synchronized tumescence (TCST) would be more limited than an alternative means, such as infusion of a similarly dilute epinephrine and xylocaine in lactated Ringer's solution with a Tenckoff catheter via peritoneal lavage.

Epidural or general anesthesia could replace or augment synchronized infusion or peritoneal lavage. Although TCST is the preferred embodiment of the described method, the present invention contemplates choosing modalities that are optimized for each individual patient's physiologic and cardiovascular status, and concentrations of xylocaine and epinephrine in the employed solutions from zero to therapeutic, as the situation dictates.

As indicated in Step G in FIG. 6B, the surgeon cautiously defats the mesentery, leaving skip areas of untreated mesentery every 6-8" of bowel length to minimize chances of vascular compromise. This step can be achieved by applying a vacuum of 30-40 cm Hg, and defatting the mesentery by initiating mechanical reciprocation of the inner cannula 5B

within the outer cannula 5A of the transiently stationary twin cannula assembly 5. Care is taken to retain some fat and avoid creating defects that might allow intestine to herniate through, and any perforations in the mesentery are closed to eliminate this hazard. The area of treatment is inspected for hemostasis and any defects in the mesentery repaired. The jejunum between clamps is inspected for good vascular supply.

As indicated in Step H IN FIG. 6B, during a single session or during smaller, serial sessions, the surgeon defats the mesentery from jejunum to distal ileum, avoiding terminal ileum. Then, as with the open approach, a small area is skipped much like a radiating spokes on a wheel to assure continuity of blood supply, and the next 8" area of jejunum is tented and the procedure repeated until the terminal ileum is reached and left untreated. Any difficulties with hemostasis or questionable vascular viability of the bowel indicate the necessity of a resection and possible conversion to an open procedure.

As indicated in Step I in FIG. 6B, the surgeon repeats the procedure on the large bowel and/or the small bowel for greatest effect. The mesentery of the large bowel would be approached from the ascending colon to the sigmoid colon, avoiding the area surrounding the ileocecal valve, and the distal sigmoid colon as it descends into the pelvis, and the mesentery to any areas of large bowel which appear grossly involved with diverticulitis.

As indicated in Step J in FIG. 6B, the surgeon performs subsequent subcutaneous serial, visceral fat aspiration, abdominal lipectomy, dermatolipectomies, and ventral herniorrhaphies, as indicated for both functional and cosmetic indications. Large volume subcutaneous visceral fat aspiration, panniculectomy, abdominoplasty, repair of any ventral hernias or diastasis recti could be carried out in serial sessions to obtain a much tightened abdominal corset for both functional and cosmetic improvement. The majority of these procedures can be performed under conscious sedation and on an ambulatory basis on these patients with minimal complications because of their improved metabolic profiles.

As indicated in Step K in FIG. 6B, the surgeon prescribes a diet and exercise program to optimize therapeutic results, and monitors laboratory parameters and adjust any pharmacologic regimen that had been previously prescribed.

Method of Treating WHR and Metabolic Syndrome According to the Principles of the Present Invention

FIGS. 7A and 7B illustrates the primary steps carried out during the illustrative embodiment of the method of treating WHR and metabolic syndrome by mesenteric visceral fat aspiration according to the present invention, comprising diagnosis, exploration, partial omentectomy, small bowel mesenteric visceral fat aspiration, large bowel mesenteric visceral fat aspiration, followed by subcutaneous visceral fat aspiration, abdominal and dermatolipectomies as indicated.

As indicated in Step A in FIG. 7B, the surgeon diagnoses a patient with metabolic syndrome and/or obesity, using the waist-to-hip ratio (WHR), by physical measurements and lab tests. Metabolic Syndrome will be diagnosed upon the presence of any Three Risk Factors: Abdominal obesity; Triglycerides; HDL cholesterol; Blood Pressure; and FBS.

Defining levels for males and females are as follows:

Female >88 cm (>35")

Men: >102 cm. (>40")

≥150 ml/dl

Men <40 mg/dl

Women <50 mg/dl

≥130/≥85 mm Hg

≥110 mg/dl

As indicated in Step B in FIG. 7A, the surgeon performs a brief abdominal exploration or inspection to eliminate the presence of inflammatory bowel disease and other contraindications to surgery, such as, diverticulitis and a Meckel's diverticulum, or any other pathology. At her option, the surgeon may infuse a tumescent solution (Ringer's lactate with or without dilute epinephrine, and with or without xylocaine) as described above to prepare the area for treatment.

As indicated in Step C in FIG. 7A, the surgeon performs a partial omentectomy by removing the redundant omental apron.

As indicated in Step D in FIG. 7A, when performed as an open direct-viewing procedure, the omentum is retracted and the jejunum is exposed. Either by the hands of an assistant in an open procedure or with aid of atraumatic laparoscopic graspers [Endo Babcock or Dolphin Nose Grasper], the proximal jejunum is isolated and placed under gentle tension. One atraumatic grasper is inserted in the right upper quadrant for retraction of the jejunum towards the liver, and a second atraumatic grasper is inserted in the left lower quadrant, placed on a section of jejunum approximately 6 to 8 inches distal to the previously placed grasper, and retracted caudally towards the left lower quadrant. The jejunum is placed under tension and the mesentery exposed and straightened.

As indicated at Step D in FIG. 7A, when performed as a laparoscopic procedure, a pneumoperitoneum is created in the usual fashion and the trocars are inserted so the procedure may be performed under laparoscopic guidance with multiple monitors. A partial omentectomy may be carried out by removing the caudal portions of the omentum. When performed laparoscopically, omentum is removed in strips to facilitate removal through laparoscopic portals. Care is taken to obtain strict hemostasis and to preserve an apron of protective omentum while it is substantially shortened and defatted.

FIG. 9A depicts the bowel grasped between two clamps to tent up the mesentery.

FIG. 9B depicts a cannula inserted into the tented mesentery to infuse tumescent solution.

As indicated in Step E in FIG. 7A, a retractor is inserted through the right lower quadrant and placed posteriorly beneath the tented mesentery. An incision is made anteriorly in the mesentery, approximately $\frac{2}{3}$ of the distance between its base and the bowel. The surgeon then inserts either a single cannula through the right lower quadrant and into an anterior incision in the jejunal mesentery, and reciprocates it manually, or preferably inserts the power-assisted twin cannula assembly 5 into the region, and applies 30-40 cm Hg of vacuum to the inner cannula, and conservatively aspirates mesenteric fat. FIG. 9C depicts insertion of the twin cannula device 5 into the previously tumesced and tented mesentery.

When using a laparoscopically-guided electro-cauterizing twin-cannula visceral fat aspiration instrument system shown in FIG. 1, there is much less risk of vascular disruption or visceral injury than when using single cannula instrument, because the twin cannula instrument protects the adventitia of the arboreal blood vessels from injury, and allows treatment of larger areas more rapidly and effectively.

As indicated in Step F in FIG. 7A, the surgeon optionally, applies monopolar or bipolar cautery, with or without synchronized tumescence. By including a separate fluidic channel in the outer cannula, extending from its base to its tip, it

is possible to synchronize a pulsed infusion of tumescent solutions or irrigation (e.g. lactated Ringer's solution with or without small amounts of epinephrine (e.g. 1:100,000-1:400,000) through this additional channel in the tip of the twin cannula assembly with the advancement of the inner cannula, to facilitate fat aspiration with a sump effect. Alternatively, a totally separate cannula may be placed with the mesentery and used for pulsatile or non-pulsatile, synchronized or unsynchronized infusion near the tip of the twin cannula assembly **5**.

By eliminating the battering ram effect of a reciprocating cannula and the need for tumescent solution for hemostasis, twin cannula visceral fat aspiration allows the minimally invasive removal of soft tissue in any location, including the intestinal mesentery by either open or laparoscopic approaches. Unlike single cannula visceral fat aspiration cannulas, the tube-within-a-tube construction of the twin cannula assembly **5** is particularly suited to a laparoscopic approach as all viscera are spared disruption from the moving member except the limited area of fat being aspirated in the mesentery adjacent to the outer cannula slot. The relatively stationary outer cannula reduces friction caused by the continually reciprocating inner cannula and the laparoscopy portal. Placement of the outer cannula **5A** is positional, rather than actively reciprocating, to avulse particles of fat.

Twin cannula mesenteric visceral fat aspiration (TCML) according to the principles of the present invention described above, thus allows direct correction of abdominal obesity, and in a less invasive and dramatically immediate fashion without the untoward nutritional consequences, hepatic, or renal complications of gastric bypass or banding procedures.

The use of twin cannula visceral fat aspiration, with or without bipolar cautery hemostasis and with or without a synchronized pulsed infusion of tumescent or irrigation solution through the cannula, offers a controlled, rapid, and safer way of treating a length of intestine with much less risk of bleeding or vascular injury.

Although bipolar hemostasis obviates the need for tumescence with epinephrine containing solutions, small amounts of epinephrine could be added to small pulses of lactated Ringer's solution, with or without small quantities of local anesthetic, which are synchronized with the advancement of the inner cannula within the outer cannula.

Since the irrigation solution is immediately aspirated through the aspiration aperture **55** of the twin (twin) cannula assembly **5** of FIG. **2A** or **3A**, the systemic effects of vasopressor and local anesthetics during twin cannula synchronized tumescence (TCST) would be more limited than an alternative means, such as infusion of a similarly dilute epinephrine and xylocaine in lactated Ringer's solution with a Tenckoff catheter via peritoneal lavage.

Epidural or general anesthesia could replace or augment synchronized infusion or peritoneal lavage. Although TCST is the preferred embodiment of the described method, the present invention contemplates choosing modalities that are optimized for each individual patient's physiologic and cardiovascular status, and concentrations of xylocaine and epinephrine in the employed solutions from zero to therapeutic, as the situation dictates.

As indicated in Step G in FIG. **7B**, the surgeon cautiously defats the mesentery, leaving skip areas of untreated mesentery every 6-8" of bowel length to minimize chances of vascular compromise. This step can be achieved by applying a vacuum of 30-40 cm Hg, and defatting the mesentery by initiating mechanical reciprocation of the inner cannula **5B** within the outer cannula **5A** of the transiently stationary twin

cannula assembly **5**. Care is taken to retain some fat and avoid creating defects that might allow intestine to herniate through, and any perforations in the mesentery are closed to eliminate this hazard. The area of treatment is inspected for hemostasis and any defects in the mesentery repaired. The jejunum between clamps is inspected for good vascular supply.

As indicated in Step H in FIG. **7B**, during a single session or during smaller, serial sessions, the surgeon defats the mesentery from jejunum to distal ileum, avoiding terminal ileum. Then, as with the open approach, a small area is skipped much like a radiating spokes on a wheel to assure continuity of blood supply, and the next 8" area of jejunum is tented and the procedure repeated until the terminal ileum is reached and left untreated. Any difficulties with hemostasis or questionable vascular viability of the bowel indicate the necessity of a resection and possible conversion to an open procedure.

As indicated in Step I in FIG. **7B**, the surgeon repeats the procedure on the large bowel and/or the small bowel for greatest effect. The mesentery of the large bowel would be approached from the ascending colon to the sigmoid colon, avoiding the area surrounding the ileocecal valve, and the distal sigmoid colon as it descends into the pelvis, and the mesentery to any areas of large bowel which appear grossly involved with diverticulitis.

As indicated in Step J in FIG. **7B**, the surgeon performs subsequent subcutaneous serial, visceral fat aspiration, abdominal lipectomy, dermatolipectomies, and ventral herniorrhaphies, as indicated for both functional and cosmetic indications. Large volume subcutaneous visceral fat aspiration, panniculectomy, abdominoplasty, repair of any ventral hernias or diastasis recti could be carried out in serial sessions to obtain a much tightened abdominal corset for both functional and cosmetic improvement. The majority of these procedures can be performed under conscious sedation and on an ambulatory basis on these patients with minimal complications because of their improved metabolic profiles.

As indicated in Step K in FIG. **7B**, the surgeon prescribes a diet and exercise program to optimize therapeutic results, and monitors laboratory parameters and adjust any pharmacologic regimen that had been previously prescribed.

Method of Treating Type II Diabetes According to the Principles of the Present Invention

FIGS. **8A** and **8B** illustrate the primary steps carried out during the method of treating type II diabetes by mesenteric visceral fat aspiration according to the illustrative embodiment of the present invention, comprising the steps of: diagnosis, exploration, partial omentectomy, small bowel mesenteric visceral fat aspiration, large bowel mesenteric visceral fat aspiration, followed by subcutaneous visceral fat aspiration, abdominal and dermatolipectomies as indicated.

As indicated in Step A in FIG. **8A**, the surgeon diagnoses a patient with type II diabetes by physical measurements and lab tests. Typically, this diagnosis is made using Fasting Blood Sugar, Glucose Tolerance or Insulin resistance (hyperinsulinemic glucose clamp test, considered to be the gold standard technique for quantification of insulin sensitivity. [Halaas J L, Gajiwala K S, Maffei M, Cohen S L, et al.: Weight-reducing effects of the plasma protein encoded by the obese gene. *Science* 269:543, 1995]. This test is based on infusing a known dose of insulin (1 mU/kg/min) and glucose (20% solution) at a constant speed to achieve a stable plasma concentration of insulin. The plasma glucose level is continually determined using a bedside glucose analyzer, and

the exogenous glucose infusion rate is adjusted continually to prevent hypoglycemia. Once the steady state is reached, the amount of infused glucose is the same as that used by the peripheral tissue. Therefore, insulin sensitivity can be calculated as the glucose infusion rate (mg/kg/min) over the last 60 min. A diagnosis of diabetes will be made if you have a fasting blood sugar level of 126 milligrams per deciliter or higher on two separate days.

Diabetes also may be diagnosed based on a random high glucose level of ³ 200 mg/dl and symptoms of the disease. The most common glucose tolerance test is the oral glucose tolerance test (OGTT). The patient cannot eat or drink anything after midnight before the test. For the test, the patient will be asked to drink a liquid containing a certain amount of glucose. The patient's blood will be taken before s/he does this, and again every 30 to 60 minutes after s/he drinks the solution. The test takes up to 3 hours.

Normal blood values for a 75-gram oral glucose tolerance test used to check for type 2 diabetes:

Fasting: 60 to 100 mg/dL

1 hour: less than 200 mg/dL

2 hours: less than 140 mg/dL. Between 140-200 mg/dL is considered impaired glucose tolerance or pre-diabetes.

This group is at increased risk for developing diabetes.

Greater than 200 mg/dL is diagnostic of diabetes mellitus

As indicated in Step B in FIG. 8A, the surgeon performs a brief abdominal exploration or inspection to eliminate the presence of inflammatory bowel disease and other contraindications to surgery, such as, diverticulitis and a Meckel's diverticulum, or any other pathology. At her option, the surgeon may infuse a tumescent solution (Ringer's lactate with or without dilute epinephrine, and with or without xylocaine) as described above to prepare the area for treatment.

As indicated in Step C in FIG. 8A, the surgeon performs a partial omentectomy by removing the redundant omental apron.

As indicated in Step D in FIG. 8A, when performed as an open direct-viewing procedure, the omentum is retracted and the jejunum is exposed. Either by the hands of an assistant in an open procedure or with aid of atraumatic laparoscopic graspers [Endo Babcock or Dolphin Nose Grasper], the proximal jejunum is isolated and placed under gentle tension. One atraumatic grasper is inserted in the right upper quadrant for retraction of the jejunum towards the liver, and a second atraumatic grasper is inserted in the left lower quadrant, placed on a section of jejunum approximately 6 to 8 inches distal to the previously placed grasper, and retracted caudally towards the left lower quadrant. The jejunum is placed under tension and the mesentery exposed and straightened.

As indicated at Step D in FIG. 8A, when performed as a laparoscopic procedure, a pneumoperitoneum is created in the usual fashion and the torchers are inserted so the procedure may be performed under laparoscopic guidance with multiple monitors. A partial omentectomy may be carried out by removing the caudal portions of the omentum. When performed laparoscopically, omentum is removed in strips to facilitate removal through laparoscopic portals. Care is taken to obtain strict hemostasis and to preserve an apron of protective omentum while it is substantially shortened and defatted.

FIG. 9A depicts the bowel grasped between two clamps to tent up the mesentery.

FIG. 9B depicts a cannula inserted into the tented mesentery to infuse tumescent solution.

As indicated in Step E in FIG. 8A, a retractor is inserted through the right lower quadrant and placed posteriorly beneath the tented mesentery. An incision is made anteriorly in the mesentery, approximately $\frac{2}{3}$ of the distance between its base and the bowel. The surgeon then inserts either a single cannula through the right lower quadrant and into an anterior incision in the jejunal mesentery, and reciprocates it manually, or preferably inserts the power-assisted twin cannula assembly **5** into the region, and applies 30-40 cm Hg of vacuum to the inner cannula, and conservatively aspirates mesenteric fat. FIG. 9C depicts insertion of the twin cannula device **5** into the previously tumesced and tented mesentery.

When using a laparoscopically-guided electro-cauterizing twin-cannula visceral fat aspiration instrument system shown in FIGS. 1A, there is much less risk of vascular disruption or visceral injury than when using single cannula instrument, because the twin cannula instrument protects the adventitia of the arboreal blood vessels from injury, and allows treatment of larger areas more rapidly and effectively.

As indicated in Step F in FIG. 8A, the surgeon optionally, applies monopolar or bipolar cautery, with or without synchronized tumescence. By including a separate fluidic channel in the outer cannula, extending from its base to its tip, it is possible to synchronize a pulsed infusion of tumescent solutions or irrigation (e.g. lactated Ringer's solution with or without small amounts of epinephrine (e.g. 1:100,000-1:400,000) through this additional channel in the tip of the twin cannula assembly with the advancement of the inner cannula, to facilitate fat aspiration with a sump effect. Alternatively, a totally separate cannula may be placed with the mesentery and used for pulsatile or non-pulsatile, synchronized or unsynchronized infusion near the tip of the twin cannula assembly **5**.

By eliminating the battering ram effect of a reciprocating cannula and the need for tumescent solution for hemostasis, twin cannula visceral fat aspiration allows the minimally invasive removal of soft tissue in any location, including the intestinal mesentery by either open or laparoscopic approaches. Unlike single cannula visceral fat aspiration cannulas, the tube-within-a-tube construction of the twin cannula assembly **5** is particularly suited to a laparoscopic approach as all viscera are spared disruption from the moving member except the limited area of fat being aspirated in the mesentery adjacent to the outer cannula slot. The relatively stationary outer cannula reduces friction caused by the continually reciprocating inner cannula and the laparoscopy portal. Placement of the outer cannula **5A** is positional, rather than actively reciprocating, to avulse particles of fat.

Twin cannula mesenteric visceral fat aspiration according to the principles of the present invention described above, thus allows direct correction of abdominal obesity, and in a less invasive and dramatically immediate fashion without the untoward nutritional consequences, hepatic, or renal complications of gastric bypass or banding procedures.

The use of twin cannula visceral fat aspiration, with or without bipolar cautery hemostasis and with or without a synchronized pulsed infusion of tumescent or irrigation solution through the cannula, offers a controlled, rapid, and safer way of treating a length of intestine with much less risk of bleeding or vascular injury.

Although bipolar hemostasis obviates the need for tumescence with epinephrine containing solutions, small amounts of epinephrine could be added to small pulses of lactated Ringer's solution, with or without small quantities of local anesthetic, which are synchronized with the advancement of the inner cannula within the outer cannula.

Since the irrigation solution is immediately aspirated through the aspiration aperture 55 of the twin (twin) cannula assembly 5 of FIG. 2A or 3A, the systemic effects of vasopressor and local anesthetics during twin cannula synchronized tumescence (TCST) would be more limited than an alternative means, such as infusion of a similarly dilute epinephrine and xylocaine in lactated Ringer's solution with a Tenckoff catheter via peritoneal lavage.

Epidural or general anesthesia could replace or augment synchronized infusion or peritoneal lavage. Although TCST is the preferred embodiment of the described method, the present invention contemplates choosing modalities that are optimized for each individual patient's physiologic and cardiovascular status, and concentrations of xylocaine and epinephrine in the employed solutions from zero to therapeutic, as the situation dictates.

As indicated in Step G in FIG. 8B, the surgeon cautiously defats the mesentery, leaving skip areas of untreated mesentery every 6-8" of bowel length to minimize chances of vascular compromise. This step can be achieved by applying a vacuum of 30-40 cm Hg, and defatting the mesentery by initiating mechanical reciprocation of the inner cannula 5B within the outer cannula 5A of the transiently stationary twin cannula assembly 5. Care is taken to retain some fat and avoid creating defects that might allow intestine to herniate through, and any perforations in the mesentery are closed to eliminate this hazard. The area of treatment is inspected for hemostasis and any defects in the mesentery repaired. The jejunum between clamps is inspected for good vascular supply.

As indicated in Step H in FIG. 8B, during a single session or during smaller, serial sessions, the surgeon defats the mesentery from jejunum to distal ileum, avoiding terminal ileum. Then, as with the open approach, a small area is skipped much like a radiating spokes on a wheel to assure continuity of blood supply, and the next 8" area of jejunum is tented and the procedure repeated until the terminal ileum is reached and left untreated. Any difficulties with hemostasis or questionable vascular viability of the bowel indicate the necessity of a resection and possible conversion to an open procedure.

As indicated in Step I in FIG. 8B, the surgeon repeats the procedure on the large bowel and/or the small bowel for greatest effect. The mesentery of the large bowel would be approached from the ascending colon to the sigmoid colon, avoiding the area surrounding the ileocecal valve, and the distal sigmoid colon as it descends into the pelvis, and the mesentery to any areas of large bowel which appear grossly involved with diverticulitis.

As indicated in Step J in FIG. 8B, the surgeon performs subsequent subcutaneous serial, visceral fat aspiration, abdominal lipectomy, dermatolipectomies, and ventral herniorrhaphies, as indicated for both functional and cosmetic indications. Large volume subcutaneous visceral fat aspiration, panniculectomy, abdominoplasty, repair of any ventral hernias or diastasis recti could be carried out in serial sessions to obtain a much tightened abdominal corset for both functional and cosmetic improvement. The majority of these procedures can be performed under conscious sedation and on an ambulatory basis on these patients with minimal complications because of their improved metabolic profiles.

As indicated in Step K in FIG. 8B, the surgeon ascertains the degree of metabolic improvement that has been attained by measuring blood pressure, lipid profile, adipocytokine and inflammatory markers, fasting blood sugar, or insulin

resistance via the hyperinsulimic glucose clamp test previously described, repeating testing at 2 mos/6 mos/9 mos/1 yr/1.5 yrs/2 yrs.

Alternative Embodiments Which Readily Come to Mind

While the multi-function twin-cannula assembly described above has been shown used with a twin cannula assembly, it is understood that in alternate embodiments, the inner cannula can be adapted to provide a similar fluid infusion channel that terminates proximal to the luer fitting and allows for fluid infusion. As indicated, in twin cannula embodiments, infusion can be either synchronized. However, in single cannula embodiments, infusion can be unsynchronized as there will be less advantage and practicality in providing synchronization in a more rapidly reciprocating, short stroke single cannula instrument design.

While a barb Christmas-tree type connector is shown on the stationary tubing connector, of each hand-supportable housing, it is understood that the stationary tubing connector may also be realized as a snap-lock type connector for establishing and maintaining a connection with the end portion of flexible aspiration tubing.

Further, the powered fat aspiration instrument of the present invention can be designed so that its cylindrical guide tube is made very simple, inexpensively and is disposable so as to eliminate the need for a magnet which can lose its strength with autoclaving. The cannula base portion can be made so as to use washers that are wafer thin, for only one day of surgery. Such washers can function as diaphragms, staying in place and deforming to allow to-and-fro motion of the cylindrical guide tube within the cylindrical guide tube. Also, these washers can have an umbrella-shape, or have a thin cylindrical geometry.

Also, while not shown, any embodiment of the power-assisted visceral fat aspiration instrument of the present invention can be provided with various means along the cannula assembly to effect hemostasis during liposuction procedures and the like using, for example, RF-based electrocauterization, as taught in Applicant's prior U.S. Pat. Nos. 6,872,199 and 7,381,206, incorporated herein by reference.

Several modifications to the illustrative embodiments have been described above. It is understood, however, that various other modifications to the illustrative embodiment of the present invention will readily occur to persons with ordinary skill in the art. All such modifications and variations are deemed to be within the scope and spirit of the present invention as defined by the accompanying Claims to Invention.

What is claimed is:

1. A method of safely removing visceral fat tissue deposits from within a human patient suffering from metabolic syndrome and having an abdominal region and a mesenteric region within the body of the human patient, said method comprising the steps of:

- (a) creating laparoscopy portals through small incisions formed in a human patient's body, and infusing an inert gas into the abdominal region of the human patient to cause abdominal distension;
- (b) inserting a laparoscope into the abdominal region of the human patient so that a surgeon can capture video images of the abdominal region of the patient, and display the captured video images within the view of the surgeon;
- (c) inserting a powered fat tissue aspiration instrument into the mesenteric region of the human patient,

wherein said powered fat tissue aspiration instrument has an instrument housing and a cannula assembly mounted with respect to said instrument housing; and (d) using said laparoscope to capture video images of the mesenteric region of the human patient, and displaying said video images to provide laparoscopic guidance to the surgeon while aspirating visceral fat tissue from the mesenteric region of the human patient so as to safely remove visceral fat tissue from the mesenteric region of the human patient.

2. The method of claim 1, wherein said step (d) further comprises displaying said video images of the abdominal region of the patient on a display screen within the view of the surgeon.

3. The method of claim 1, wherein during step (c), said instrument housing comprises a hand-held housing adapted to fit within a hand of said surgeon.

4. The method of claim 1, wherein during step (a), infusing said inert gas into the abdominal region of the human patient comprises infusing CO₂ gas into the abdominal region of the human patient.

5. The method of claim 1, wherein during step (c), said powered fat tissue aspiration instrument comprises a twin-cannula tissue aspiration instrument having a twin cannula assembly including an inner cannula reciprocating within an outer cannula mounted stationary with respect to said instrument housing.

6. The method of claim 5, which further comprises during step (d), aspirating visceral fat tissue from the mesenteric region of the patient, using said twin-cannula tissue aspiration instrument, while simultaneously infusing a tumescent solution into the mesenteric region of said human patient, through said twin cannula assembly, while synchronizing said infusion of tumescent solution with the forward or return stroke of the inner cannula within said outer cannula, during operation of said twin-cannula aspiration instrument.

7. The method of claim 1, wherein step (d) further comprises aspirating visceral fat tissue from the mesenteric region of the patient, using said powered fat tissue aspiration instrument, while (ii) collecting the aspirated visceral fat tissue in a tissue collection device during operation of said tissue aspiration instrument.

8. The method of claim 1, wherein during step (c), said powered tissue aspiration instrument is driven by a pneumatic motor controlled a source of pressurized air.

9. The method of claim 1, wherein during step (c), said powered fat tissue aspiration instrument is driven by an electromagnetic motor controlled a source of electrical power.

10. The method of claim 1, wherein said laparoscope comprises (i) a video probe provided with an embedded 2D high-resolution digital color image sensor with a field of view (FOV) for insertion into the abdominal region of the patient during a visceral fat aspiration operation, (ii) one or more video monitors for displaying to surgeons and assistants, real-time digital color video images of said abdominal region captured along the FOV of said video probe, and (iii) digital recording equipment for recording captured digital video images of said abdominal region during said visceral fat aspiration operation.

11. The method of claim 1, wherein said powered fat tissue aspiration instrument comprises a twin-cannula powered visceral fat aspiration subsystem having a powered hand-supportable fat aspiration instrument having a housing

and provided with a bipolar electro-cauterizing twin-cannula assembly including (i) an outer cannula mounted stationary with respect to said housing and having one or more outer aspiration apertures, and (ii) an inner cannula slidably disposed within said outer cannula and having at least one inner aspiration aperture that moves relative to said one or more outer aspiration apertures during operation of said twin-cannula powered visceral fat aspiration subsystem.

12. The method of claim 11, wherein said twin-cannula powered visceral fat aspiration subsystem further comprises a system controller connected to said powered hand-supportable fat tissue aspiration instrument by way of a flexible cable, for supplying (i) pressurized air streams from a pressurized gas source to drive the inner cannula of said powered hand-supportable fat tissue aspiration instrument, or (ii) electrical power signals from an electrical power source to drive said powered hand-supportable fat aspiration instrument.

13. The method of claim 11, wherein RF-power signals are generated by an RF signal generating module and supplied to said bipolar electro-cauterizing twin-cannula assembly.

14. The method of claim 11, which further comprises an infusion pump controlled by said system controller, for periodically or continuously pumping irrigation fluid through an irrigation tube and into an irrigation port provided on said outer cannula for infusing solution near and within the distal tip portion of said outer cannula during system operation.

15. The method of claim 14, wherein said infusion pump supplies a pulsatile flow of irrigation fluid through the distal tip portion of said outer cannula so that controlled amounts of fluid are delivered to the inner cannula under short periods of time to facilitate synchronization.

16. The method of claim 11, which further comprises a multi-spectral illumination source with selectable spectrum control, for delivering a spectrum of illumination along an optical fiber, mounted to said outer cannula, to the distal tip portion of said outer cannula and produce a field of illumination about said inner and outer aspiration apertures, that spatially overlaps the field of aspiration about said inner and outer aspiration apertures.

17. The method of claim 11, wherein said multi-spectral illumination source generates a red, blue and/or yellow illumination for delivery to the field of aspiration about said inner and outer aspiration apertures, to illuminate tissue about said inner and outer aspiration apertures and help a surgeon visually distinguish arterial vessels, veins and fat, and facilitate visualization of arterial blood vessels, portal and systemic veins and fat, when viewing color digital video images arterial blood vessels, portal and systemic veins and fat being captured by said video probe and displayed by said video monitors during said fat aspiration operation.

18. The method of claim 1, which further comprises: an in-line fat sampling device installed in-line between a vacuum source and said powered fat tissue aspiration instrument, for collecting and indexing samples of visceral fat while a surgeon samples the abdominal region of the patient, for subsequent analysis and testing/measurement for compounds indicative of obesity, metabolic syndrome and/or type II diabetes and selected from the group consisting of Resistin, Angiotensin, Tumor Necrosis Factor (TNF-alpha), Interleukin-6, Adiponectin, and Leptin.